



Slim-Line: Linear High Bays

3-Power Selectable

Detail Specifications

- Finish: White, Custom finishes available
- IP Rating: Damp Location
- Beam Angle: 110°
- Chip: SMD 2835, R9 >50, CRI >80
- 3 Step MacAdam Ellipses
- Operating Temperature: -4° - 122° F
- Lens: Clear Prismatic Ribbed
 - Low Glare
- Average life (L70) of 70,000 hours

Applications:

- Warehouse/Distribution Facility
- Utility & Storage
- Garage Structures
- Commercial and Industrial

Product Information:

- Aluminum housing finished with corrosion free power coat
- Replace existing fixtures or use in new construction
- Easy maintenance: driver access from front
- Instant-On to full brightness
- Twist-C Control: Control ready receptacle built into each fixture

Driver Options:

- UNV: 120-277V 0-10V Dimmable
- HV: 347-480V 0-10V Dimmable
- THD: <15% (=/-5% tolerance), PF >0.9, 50/60Hz

Mounting & Installation:

- 3.5' adjustable suspension kit included
- Optional 9' adjustable suspension kit available
- Optional 6' chain kit available
- Optional surface mount kit available
- Optional pendant mount kit available

Certifications:

- UL Listed for USA and CA
- DLC Premium Listed
- ROHS Compliant
- Approved for CA T24
- 5 Year Limited Warranty



2ft



4ft

| WATT | LUMENS |
|------|--------|
| 60 | 8,700 |
| 80 | 11,600 |
| 110 | 15,950 |
| 125 | 18,125 |
| 150 | 21,750 |
| 165 | 23,925 |
| 180 | 26,100 |
| 200 | 29,000 |
| 220 | 31,900 |
| 260 | 37,700 |
| 290 | 42,050 |
| 320 | 46,400 |

| Series | CCT | Voltage ¹ | Whip | Optic | EMB |
|---|-------|----------------------|-----------|---------|---|
| LED-LHB-2FT-3P110-F 40K 60/80/110W • 120-277V | 4000K | UNV | (Blank) | (Blank) | (Blank) |
| LED-LHB-2FT-3P165-F 50K 125/150/165W • 120-277V | 5000K | 277V | No Whip | 110° | No Emergency |
| LED-LHB-4FT-3P220-F 180/200/220W • 120-277V | | HV ¹ | 6ft Whip | 30° | Back-Up |
| LED-LHB-4FT-3P320-F 260/290/320W • 120-277V | | 347-480V | 10ft Whip | | EMB 90 Min. Emergency Back-up |

1. HV: High voltage is made to order.

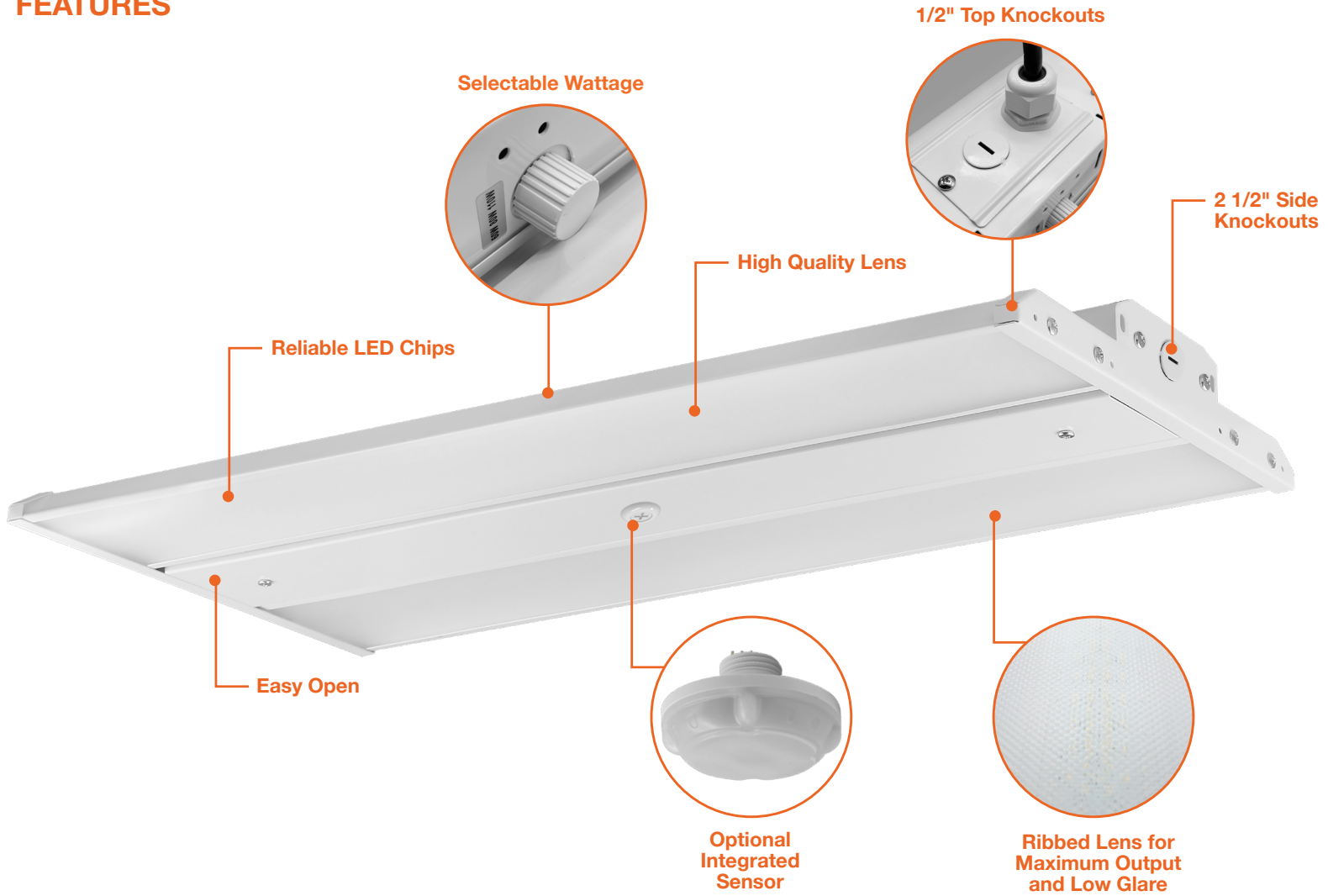
Optional Accessories (Order Separately)

| Suspension Kits | Mounting Kits | Wire Guards | Whips (Field Install) | Sensors | Sensor Remote |
|--|---|--|-----------------------------------|---|--------------------------------------|
| SK-9FT-ADJ-2 9' Suspension Kit | LHB-3P-PDM 165W, 220W, 320W Pendant Mount Kit | LHB-2FT-WG 2ft 110 & 165W | 6'-WHIP-1/2KO 6' Whip | HB01DMS-A Bi-Level Motion Sensor | HB03R Remote for HB01DMS-A |
| CK-6FT-V 6' Chain Hanging Kit | LHB-3P-SM 165W, 220W, 320W Surface Mount Kit | LHB-3P-4FT-WG 2ft 220 & 320W | 10'-WHIP-1/2KO 10' Whip | HB01DMS-A + Daylight Sensor (Remote R required) | |

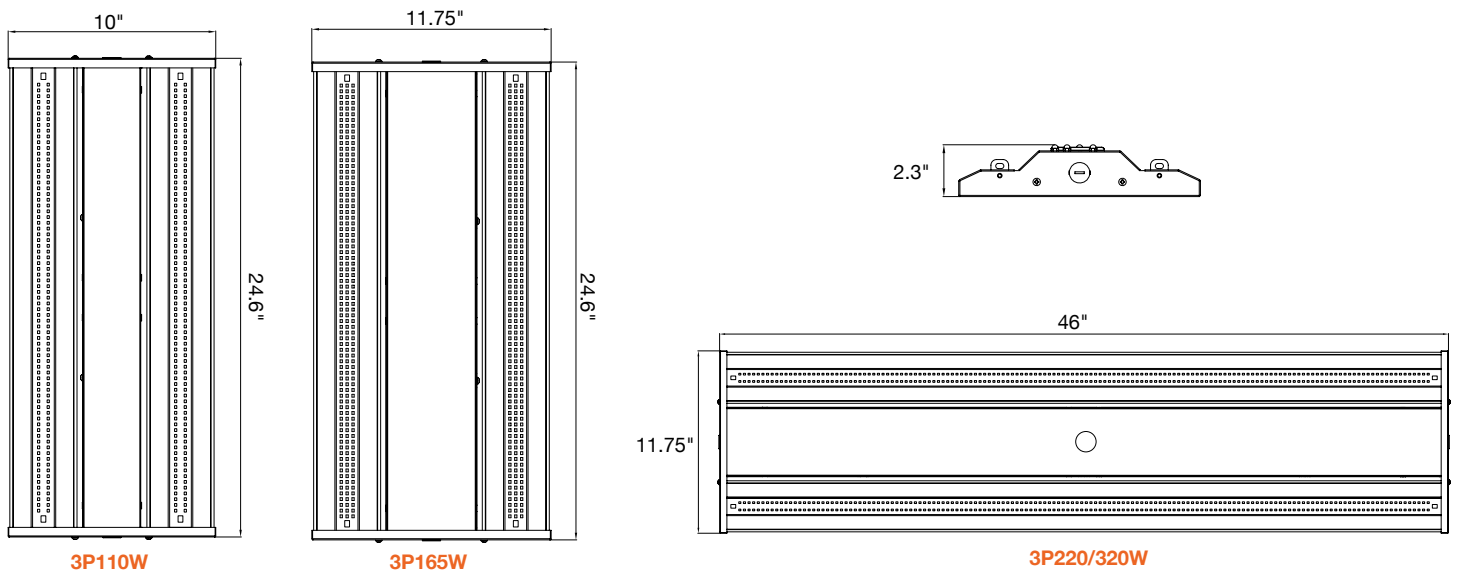
Slim-Line: Linear High Bays

3-Power Selectable

FEATURES



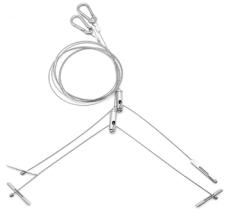
DIMENSIONS



Slim-Line: Linear High Bays

3-Power Selectable

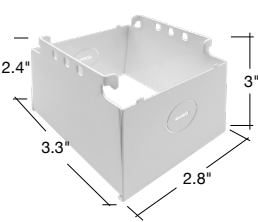
ACCESSORIES



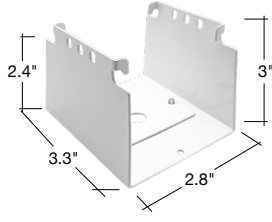
SK-9FT-ADJ-2
LED-PNL-2X4-SK



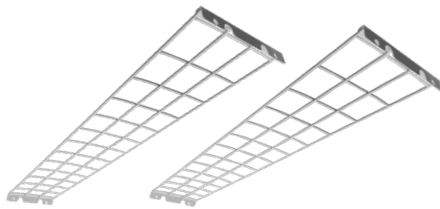
CK-6FT-V



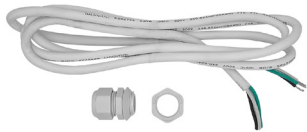
Pendant Mount 2ft
LHB-2FT-3P-PDM
Center Hole Size .85"



Surface Mount 2ft
(2 Pcs)
LHB-2FT-3P-SM
Center Hole Size 1"
Center Hole Size
w/ Plate .43"



LHB-2FT-WG
LHB-3P-4FT-WG



6'-WHIP-1/2KO
10'-WHIP-1/2KO



Motion Sensor
HB01DMS-A
(Remote Required)



HB03R
Controller

HIGHBAY FIXTURE

| Accessory Model | Description |
|------------------------------|--|
| LED-LHB-2FT-3P110-F-40K-UNV | Linear Highbay 2ft 3 Power Select w/ Twist-It Technology |
| LED-LHB-2FT-3P110-F-50K-UNV | Linear Highbay 2ft 3 Power Select w/ Twist-It Technology |
| LED-LHB-2FT-3P165-F-40K-UNV | Linear Highbay 2ft 3 Power Select w/ Twist-It Technology |
| LED-LHB-2FT-3P165-F-50K-UNV | Linear Highbay 2ft 3 Power Select w/ Twist-It Technology |
| LED-LHB-4FT-3P220W-F-40K-UNV | Linear Highbay 4ft 3 Power Select w/ Twist-It Technology |
| LED-LHB-4FT-3P220W-F-50K-UNV | Linear Highbay 4ft 3 Power Select w/ Twist-It Technology |
| LED-LHB-4FT-3P320W-F-40K-UNV | Linear Highbay 4ft 3 Power Select w/ Twist-It Technology |
| LED-LHB-4FT-3P320W-F-UNV-50K | Linear Highbay 4ft 3 Power Select w/ Twist-It Technology |

SUSPENSION KITS

| Accessory | Description |
|--------------|----------------------|
| SK-9FT-ADJ-2 | 9' Suspension Kit |
| CK-6FT-V | 6' Chain Hanging Kit |

MOUNTING KITS

| Accessory Model | Description |
|-----------------|---------------------------------------|
| LHB-3P-PDM | LHB: Pendant mount bracket up to 320W |
| LHB-3P-SM | LHB: Surface mount bracket up to 320W |

WIRE GUARDS

| Accessory Model | Description |
|-----------------|-------------------------------|
| LHB-2FT-WG | Linear Highbay Wire Guard 2ft |
| LHB-3P-4FT-WG | Linear Highbay Wire Guard 4ft |

WHIPS (FIELD INSTALL)

| Accessory Model | Description |
|-----------------|-------------|
| 6'-WHIP-1/2KO | 6' Whip |
| 10'-WHIP-1/2KO | 10' Whip |

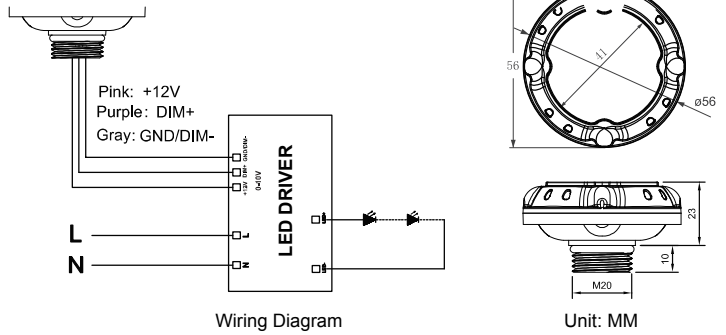
SENSORS

| Accessory Model | Description |
|-----------------|--|
| HB01DMS-A | Bi-Level Motion + Daylight Sensor (Remote Required) |

SENSOR REMOTE

| Accessory Model | Description |
|-----------------|----------------------|
| HB03R | Remote for HB01DMS-A |

MOTION SENSOR



ON/OFF Control



Stand-By Dimming Level



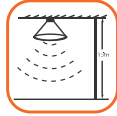
Detection Area



Remote Control Settings



Hold Time



10-15M Highbay Height



Daylight Sensor



Warranty
5
years



Stand-by Period

Technical Data

| | |
|------------------------|---|
| Operating Voltage | 12±2V DC |
| Operating Current | 30mA |
| Output | DIM 0-10V |
| Stand-by Power | <0.5W |
| Brightness | 0%-100% Quick Setting: 70%/80%/90%/100% |
| Sensitivity | 20%/50%/75%/100% |
| Hold Time | 10s/1min/10min/30min |
| Daylight Threshold | 10Lux/30Lux/50Lux/100Lux/Disable |
| Stand-by Time | 1min/30min/60min/+∞ |
| Stand-by Dimming Level | 10%/20%/30%/50% |
| Microwave Frequency | 5.8GHz±75MHz |
| Microwave Power | <0.5mW |
| Detection Angle | 150° (Wall Mounted) 360° (Ceiling Mounted) |
| Control Line | Pink: +12V; Purple: DIM+; Gray: GND/DIM- |
| Mounting Height | Max. 15m (Ceiling Mounted) |
| Detection Range | Max. Ø15m (ceiling mounted) Max. 20m (wall mounted) |
| Operating Temperature | -30°C~+60°C |
| IP Rating | IP65 |

NOTE
Factory Default Settings:
1. On for 10 min.
2. 50% Dim for 5 min.
3. Off

REMOTE CONTROL



Display Area

BRIGHTNESS (70%/80%/90%/100%)
DAYLIGHT (10k/30k/50k/100k)
STANDBY DIM (10%/20%/30%/50%)

HOLD TIME (10S/1min/10min/30min)
SENSITIVITY (20%/50%/75%/100%)
STANDBY TIME (+∞ /1min/30min/60min)

Button Setting Area

- ON/OFF** (Long press the "ON/OFF" button until the brightness indicator light is on(First-row), Press to turn on or turn off the fixture.)
- BRIGHTNESS** (Press to adjust dimming level 70%/80%/90%/100%.)
- SEND** (Press to save settings after each change, The indicator light confirms the save setting.)
- HOLD TIME** (Press to adjust hold time 10s/1min/10min/30min.)
- DAYLIGHT** (Long press the button until the daylight indicator light is on, press to adjust daylight threshold 10k/30k/50k/100k.)
- SENSITIVITY** (Press to adjust sensitivity 20%/50%/75%/100%.) Note: PIR Motion Sensor have no sensitivity setting, the default: 100%.
- STANDBY DIM** (Press to adjust stand-by dimming level 10%/20%/30%/50%.)
- STANDBY TIME** (Press to adjust stand-by time +∞ /1min/30min/60min.)
Note: "+∞" means unlimited stand-by time, and the light control mode is the light control priority mode, otherwise it's the light threshold mode.
- RESET**
Press "RESET" button, products with DIP switch will be controlled by DIP switches; Otherwise all the setting will change, which is Brightness 70%/ Hold time 10s/ Sensitivity 20%/ Daylight threshold disable/Stand-by dimming level 10% / Stand-by time+∞.
- TEST**
The button "TEST" is for testing purpose after debugging, Pressing this button, the sensor goes to test mode(hold time is only 3s).
- +** Press to increase brightness(0-100%).
- Press to reduce brightness(100%-0%).