

---

# Installation Instructions

**Step 1:** Put the backlight shield on the fixture as Fig. 1 & Fig. 2

**Step 2:** Tighten up the screws as Fig. 3 & Fig. 4

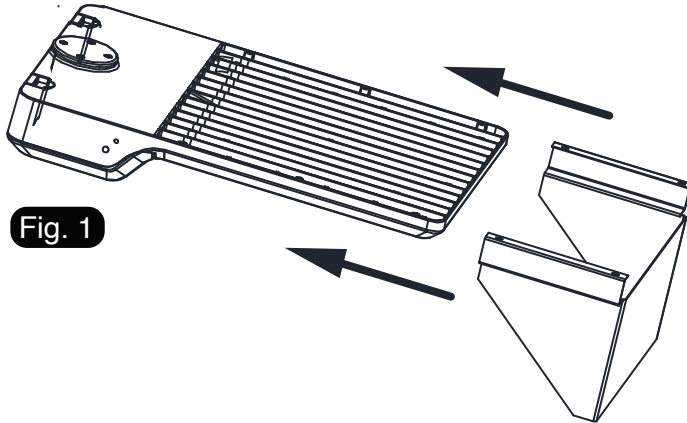


Fig. 1

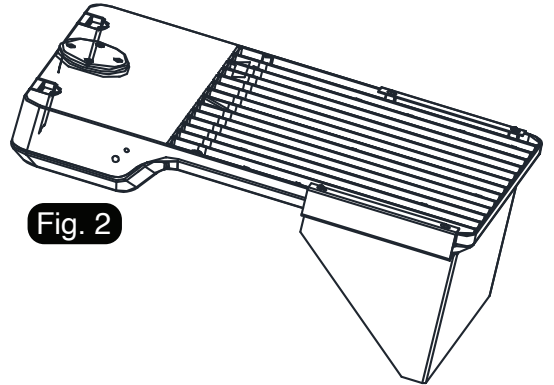


Fig. 2

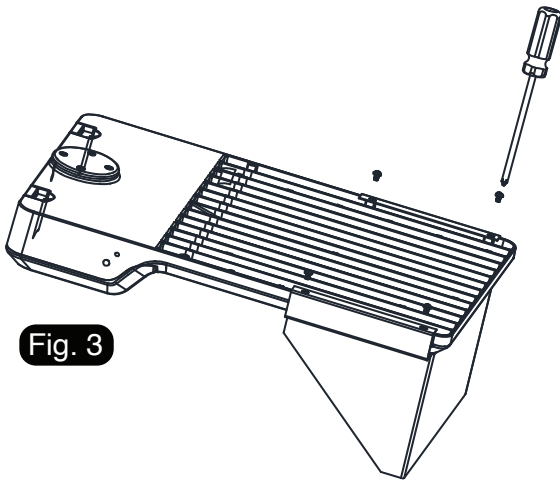


Fig. 3

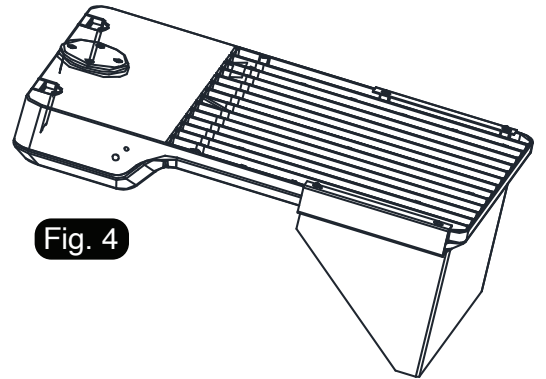


Fig. 4

---

**Step 1:** Put the backlight shield on the fixture as Fig. 1 & Fig. 2

**Step 2:** Tighten up the screws as Fig. 3 & Fig. 4

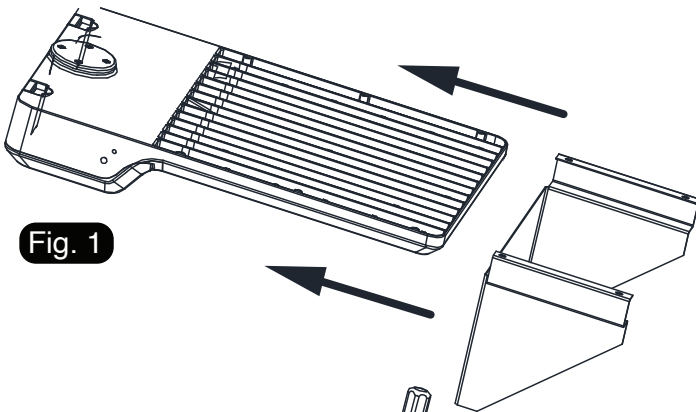


Fig. 1

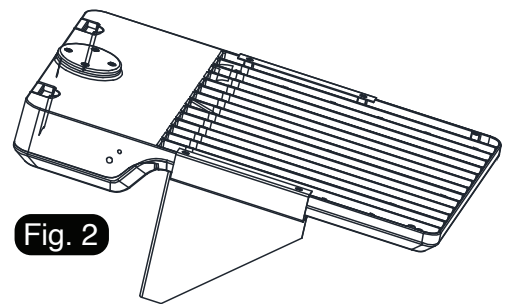


Fig. 2

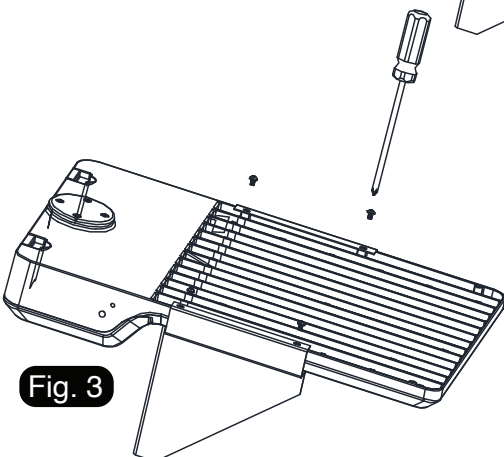


Fig. 3

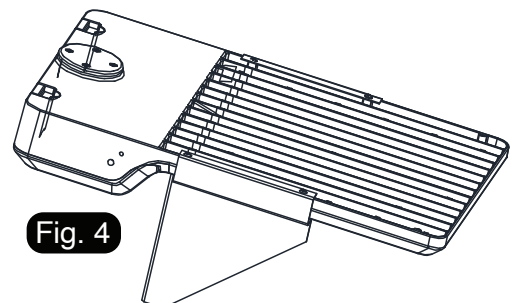


Fig. 4