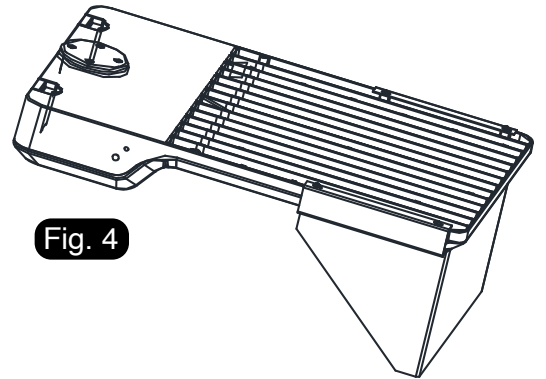
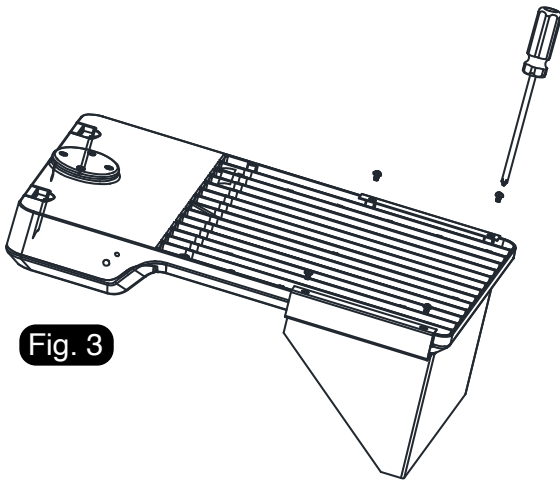
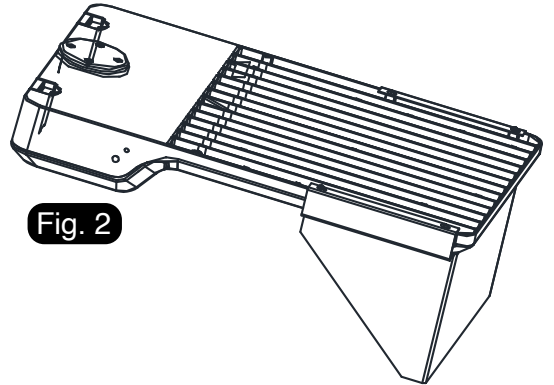
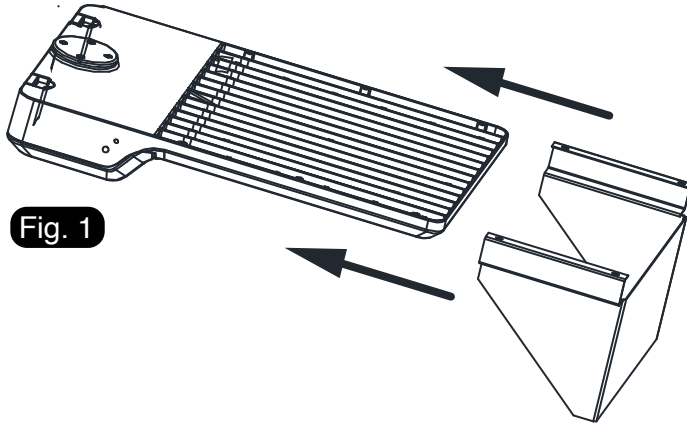


Installation Instructions

Step 1: Put the backlight shield on the fixture as Fig. 1 & Fig. 2

Step 2: Tighten up the screws as Fig. 3 & Fig. 4



Step 1: Put the backlight shield on the fixture as Fig. 1 & Fig. 2

Step 2: Tighten up the screws as Fig. 3 & Fig. 4

