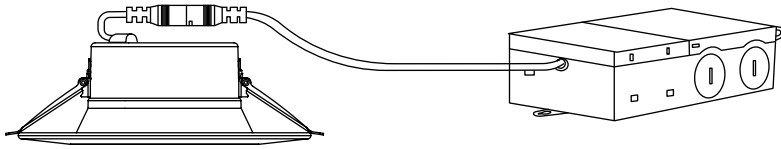


Remodel Downlight Specification Installation Instructions



PLEASE READ THESE INSTRUCTIONS CAREFULLY AND RETAIN THEM FOR FUTURE REFERENCE. The Remodel Downlight Specification include LED Lamp, junction box, a Warning Label and an installation instructions. Please check these items when unpacking.

WARNING: Failure to install and wire fixture or install replacement Ballast in accordance with the National Electrical Codes(NEC), all applicable Federal, State and Local electrical codes, as well as specific U.L. safety standards for the intended working environment (location/application), may cause serious personal injury, or property damage.

IMPORTANT NOTE: The safeguards and Instructions appearing in this page, are not meant to cover all possible conditions and situations that may occur. It may be understood that common sense, causes and care are factors which cannot be built into any product. The person(s) installing, operation and responsible for the light fixture, must execute these factors.

THIS PRODUCT MUST BE INSTALLED IN ACCORDANCE WITH THE APPLICABLE INSTALLATION CODE BY A PERSON FAMILIAR WITH THE CONSTRUCTION AND OPERATION OF THE PRODUCT AND THE HAZARDS INVOLVED.

Dimmer Compatibility:

LEVITON: ROO-RNL06-TW, R50-IPL06-10M;

LUTRON: CT-600PR, MSCL-OP153MH, DVWCL-153PH, TGCL-153PR, MA-RR, DVCL-153PR, SCL-153PR, P-PKG1W-WH-R, MACL-153MH;

WARNING

WARNING - Risk of fire or electrical shock. Remodel Downlight Specification installation requires knowledge of luminaires electrical systems. If not qualified, do not attempt installation. Contact a qualified electrician.

WARNING - Risk of fire or electrical shock. Do not alter, relocate or remove wiring, junction box, power supply or any other electrical components.

WARNING - Suitable for Wet and Damp Location.

WARNING - To prevent electrical shock, please wear rubber shoes and work gloves when installing the slim panel.

WARNING - 5 Years Warranty is limited to the repair or replacement of defective lamps. Damages caused by abuse, misuse are not covered in Warranty.

THIS REMODEL DOWNLIGHT SPECIFICATION IS ACCEPTABLE AS A COMPONENT OF A LED LUMINAIRE WHERE THE SUITABILITY BE DETERMINED BY CSA OR CANADIAN AUTHORITIES HAVING JURISDICTION.

Installation Steps:

STEP1:

Turn off the power before installation. Remove the existing bulb and if necessary remove the existing trim. Open the hole on the mounting surface according to the size of fixture.

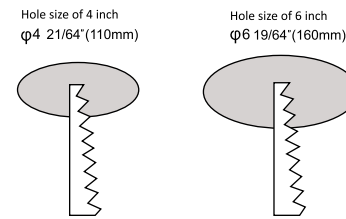


Fig1

STEP2:

Open the junction box, connect the power cable, as shown in Fig 2.

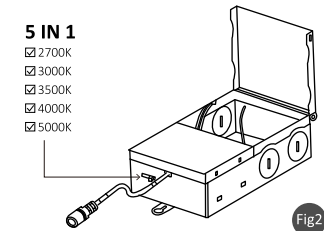


Fig2

STEP3:

Connect the fixture with power cable and the junction box, as shown in Fig3.

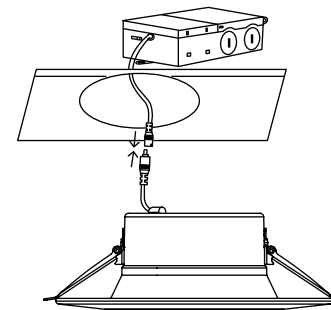


Fig3

STEP4:

Install the fixture to ceiling surface, as shown in Fig4.

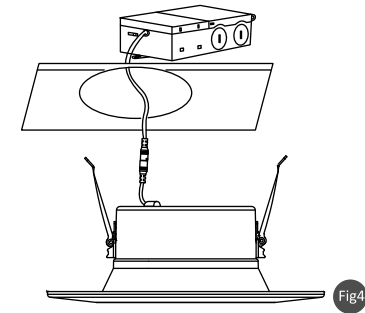


Fig4

STEP5:

Turn on the power after installation, check the fixture can work well, as shown in Fig5.

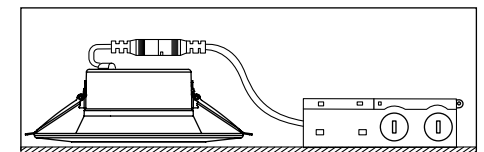


Fig5