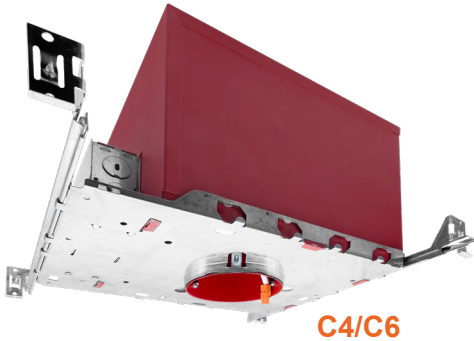


4" & 6" New Construction Housing

Fire Rated Models



Detail Specifications:

- Title 24 Orange Quick Connect Socket
- Airtight
- IC Rated
- Voltage: 120-277V
- 0-10V Model: Will include purple and gray dimming wires (7-day lead time)

Applications:

- General Recessed Lighting
- Residential & Multifamily
- Office and Meeting Rooms
- Education, Healthcare, Retail, Hospitality

Product Information:

- IC airtight for direct contact with insulation
- 2-hour fire resistance to meet and exceed strict fire safety codes
- Integrated non-combustible insulation acts as sound barrier minimizing sound transfer between floors

Driver Options:

- UNV: 120-277V Non-Dimmable
- Built in 2.5Kv Surge Protector
- THD: <20% (+/-5% tolerance), PF >0.9, 50/60Hz

Mounting & Installation:

- Designed for ceiling plenums where 2x8 joists or taller are used
- High strength hanger bars can easily be nailed to joist
- Suitable for t-grid and drop ceiling applications
- See installation instructions for detailed information

Junction Box:

- Positioned to accommodate straight conduit runs
- Two 3/4" knockouts, seven 1/2" conduit knockouts, one 3/8" knockout
- Four pry-out knockout slots for easy romex installation

Hanger Bars:

- Pre-installed hanger bars with true nail easy installation in regular lumber, engineered lumber, and laminated beams
- Integral t-bar slots for easy installation in t-bats. Spans up 24" and can be repositioned 90°.
- Score lines allow for tool-free hanger bar size reduction
- Integral leveling flange allows for single-person installation while easily aligning the housings with the joists

Certifications:

- ETL Listed
- Meets Title 24 Requirements
- 5 Year Limited Warranty
- FCC CFR 47, GCC Part 15, Subpart B:2017

Series

C4-NC-ICAT-LED-FR
C6-NC-ICAT-LED-FR
C4-NC-ICAT-LED-FR-0/10V
7-day lead time
C6-NC-ICAT-LED-FR-0/10V
7-day lead time

4" & 6" New Construction Housing

Fire Rated Models

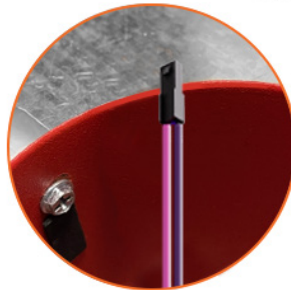
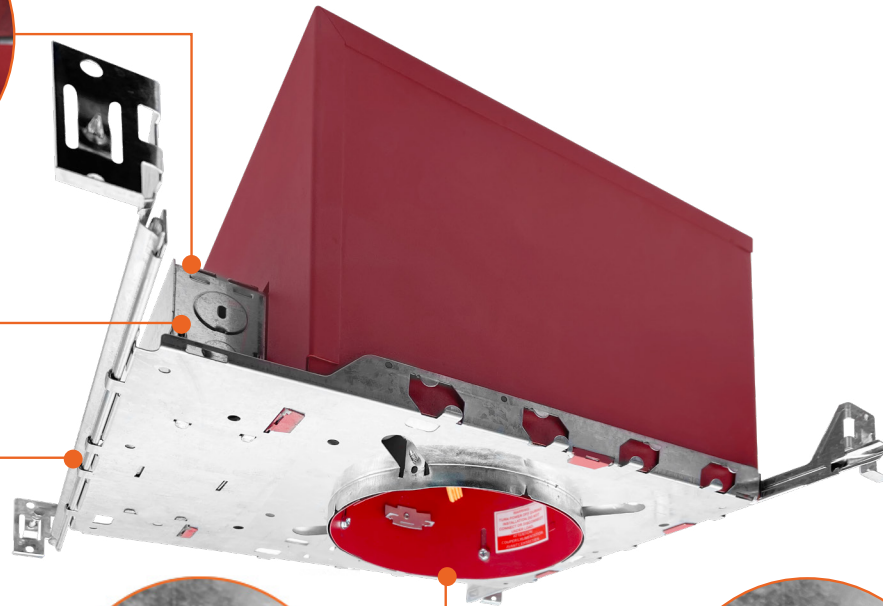
FEATURES



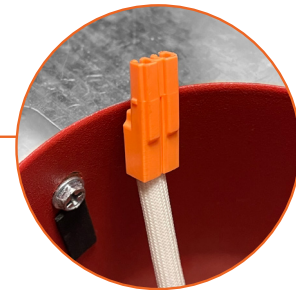
Quick Connector

J-Box

Hanger Bar



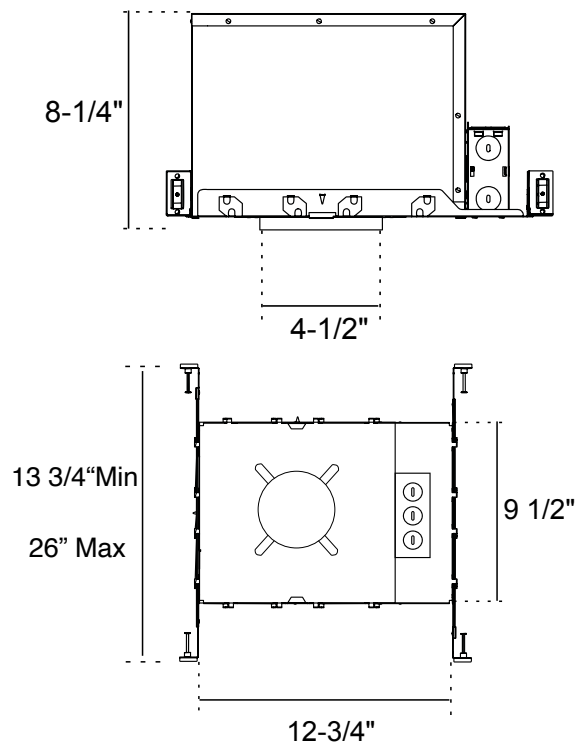
O/10V Connector



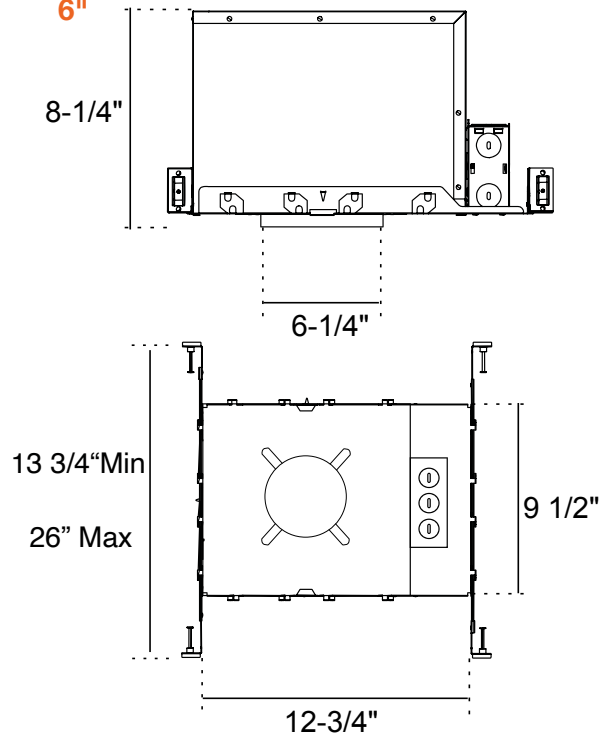
IP24 Connector

DIMENSIONS

4"



6"



4" & 6" New Construction Housing Fire Rated Models



C4/C6



C4/C6 - 0/10V

Model	Voltage	Description
C4-NC-ICAT-LED-FR	120-277V	4" Fire Rated IC Can (New Construction)
C6-NC-ICAT-LED-FR	120-277V	6" Fire Rated IC Can (New Construction)
C4-NC-ICAT-LED-FR-0/10V	0-10V	4" Fire Rated IC Can (New Construction)
C6-NC-ICAT-LED-FR-0/10V	0-10V	6" Fire Rated IC Can (New Construction)

Recommended Retrofit Downlights

Model	Voltage	Watts	Lumens	Color	CRI
LED-RDL-4-PC-CCT-WH-SM	120V	8/10/12w	560/680/800lm	27/30/35/40/50K	>90
LED-DL-ADJ-4-10W-5CCT-WH	120V	10w	750	27/30/35/40/50K	>90
LED-DL-ADJ-4-10W-5CCT-BLK	120V	10w	750	27/30/35/40/50K	>90
LED-DL-SQ-4-11W-5CCT	120V	11w	750	27/30/35/40/50K	>90
LED-RDL-4-3P12-5CCT-UNV-0/10V	120V-277V	8/10/12w	600/850/1100lm	27/30/35/40/50K	>90
LED-RDL-5/6-PC-CCT-WH-SM	120V	8/10/12w	900/1100/1300lm	27/30/35/40/50K	>90
LED-DL-ADJ-5/6-16.5W-5CCT-WH	120V	16.5w	1200	27/30/35/40/50K	>90
LED-DL-ADJ-5/6-16.5W-5CCT-BLK	120V	16.5w	1200	27/30/35/40/50K	>90
LED-DL-SQ-6-14W-5CCT	120V	14w	1100	27/30/35/40/50K	>90
LED-RDL-5/6-3P18-5CCT-UNV-0/10V	120V-277V	10/14/18w	700/1100/1500lm	27/30/35/40/50K	>90



LED-RDL-4-PC-CCT-WH-SM



LED-RDL-5/6-PC-CCT-WH-SM



LED-DL-ADJ-4-10W-5CCT-WH



LED-DL-ADJ-5/6-16.5W-5CCT-WH



LED-DL-ADJ-4-10W-5CCT-BLK



LED-DL-ADJ-5/6-16.5W-5CCT-BLK



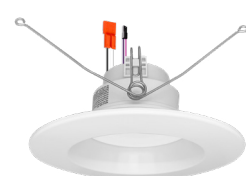
LED-DL-SQ-4-11W-5CCT



LED-DL-SQ-6-14W-5CCT



LED-RDL-4-3P12-5CCT-UNV-0/10V



LED-RDL-5/6-3P18-5CCT-UNV-0/10V