



# Low Voltage: In-Ground Well Light

## Solid Brass – Architectural Models



IGL-FL-BR-ORB



IGL-FL-BR-MBL



IGL-RB-BR-ORB



IGL-RB-BR-MBL



IGL-HM-BR-ORB



IGL-HM-BR-MBL



IGL-3L-BR-ORB



IGL-3L-BR-MBL

### Detail Specifications:

- Finish: Oil Rubbed Bronze or Matte Black
- Housing: Corrosion Resistant Solid Brass
- Lamp Type:
  - MR-16 12V (not included)
  - 50W Halogen Max
  - LED bulbs available
- IP Rating: Wet Location IP68
- Lens: Clear Glass

### Applications:

- Landscape
- Walkways & Pathways
- Driveways
- Hospitality, Multi-Family
- Outdoor Corridors
- General Outdoor Lighting
- Residential, Commercial

### Product Information:

- Heat resistant glass lens
- Fully adjustable knuckle for precise control
- Water tight silicone ring for waterproofing
- Drive over rated
- Packaging: Retail color box
- Master box quantity: 10pcs.

### Driver Options:

- Compatible with 12V Low Voltage Drivers

### Mounting & Installations:

- Wire: 6' (72") SPT-1W 18 gauge wire lead

### Warranty:

- Lifetime Anti-Corrosion Warranty

#### Oil Rubbed Bronze Models

- IGL-FL-BR-ORB-12V**  
Flat Open Lens
- IGL-RB-BR-ORB-12V**  
Ribbed Lens
- IGL-HM-BR-ORB-12V**  
Half Moon Lens
- IGL-3L-BR-ORB-12V**  
Hole Covered Lens

#### Matte Black Models

- IGL-FL-BR-MBL-12V**  
Flat Open Lens
- IGL-RB-BR-MBL-12V**  
Ribbed Lens
- IGL-HM-BR-MBL-12V**  
Half Moon Lens
- IGL-3L-BR-MBL-12V**  
Hole Covered Lens

#### 1 Bulb Option (Not Included)

- |  |  |  |
|--|--|--|
| <b>LED-MR16-4W-27K-3B-BL</b><br>2700K • 350LM • 20/40/60° Adjustable | <b>LED-MR16-5W-5CCT-4B-BL</b><br>530LM | <b>LED-MR16-5W-27K</b><br>350lm • 40° • 35W Equivalent |
| <b>LED-MR16-4W-30K-3B-BL</b><br>3000K • 350LM • 20/40/60° Adjustable | <b>LED-MR16-8W-5CCT-4B-BL</b><br>700LM | <b>LED-MR16-5W-30K</b><br>350lm • 40° • 35W Equivalent |
| <b>LED-MR16-7W-27K-3B-BL</b><br>2700K • 600LM • 20/40/60° Adjustable |  | <b>LED-MR16-7W-27K</b><br>350lm • 40° • 35W Equivalent |
| <b>LED-MR16-7W-30K-3B-BL</b><br>3000K • 600LM • 20/40/60° Adjustable |  | <b>LED-MR16-5W-40K</b><br>350lm • 40° • 35W Equivalent |
|  |  | <b>LED-MR16-7W-30K</b><br>500lm • 40° • 50W Equivalent |
|  |  | <b>LED-MR16-7W-40K</b><br>500lm • 40° • 50W Equivalent |

Specs and model numbers are subject to change with or without notice. Customization of product is available.



IGL-FL-BR-ORB



IGL-HM-BR-ORB

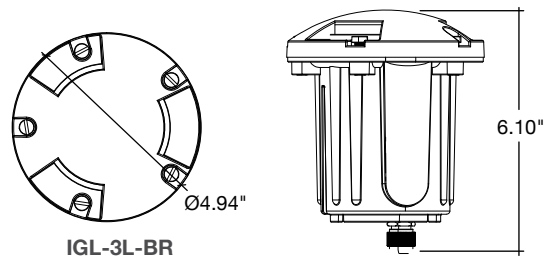
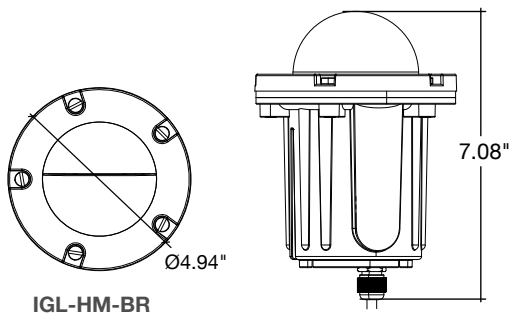
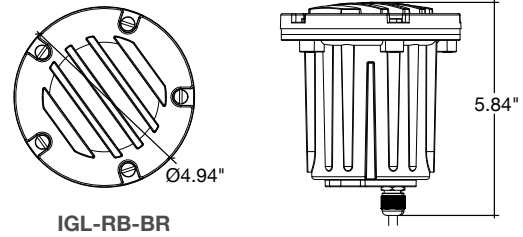
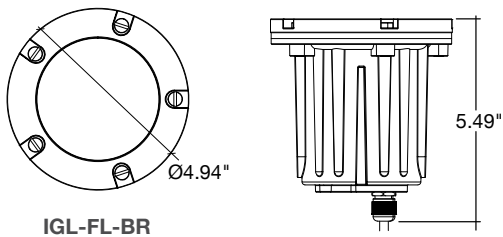


IGL-RB-BR-ORB



IGL-3L-BR-ORB

## DIMENSIONS



## ACCESSORIES



MR16-5W-5CCT  
MR16-8W-5CCT



MR16-4W (Adjustable)  
MR16-7W (Adjustable)



MR16

Model	Voltage	Finish	Bulb
IGL-FL-BR-ORB-12V	12V	Oil Rubbed Bronze	LED-MR16
IGL-FL-BR-MBLB-12V	12V	Matte Black	LED-MR16
IGL-RB-BR-ORB-12V	12V	Oil Rubbed Bronze	LED-MR16
IGL-RB-BR-MBL-12V	12V	Matte Black	LED-MR16
IGL-HM-BR-ORB-12V	12V	Oil Rubbed Bronze	LED-MR16
IGL-HM-BR-MBL-12V	12V	Matte Black	LED-MR16
IGL-3L-BR-ORB-12V	12V	Oil Rubbed Bronze	LED-MR16
IGL-3L-BR-MBL-12V	12V	Matte Black	LED-MR16

## BULBS

Model	Voltage	Watts	Lumens	Color
LED-MR16-5W-5CCT-4B-BL	12V	5w	530	50/40/35/30/27K
LED-MR16-8W-5CCT-4B-BL	12V	8w	700	50/40/35/30/27K
LED-MR16-4W-27K-3B-BL	12V	4w	350	2700k
LED-MR16-4W-30K-3B-BL	12V	4w	350	3000k
LED-MR16-7W-27K-3B-BL	12V	7w	600	2700k
LED-MR16-7W-30K-3B-BL	12V	4w	600	3000k
LED-MR16-5W-27K	12V	5w	350	2700k
LED-MR16-5W-30K	12V	5w	350	3000k
LED-MR16-5W-40K	12V	5w	350	4000k
LED-MR16-7W-27K	12V	7w	500	2700k
LED-MR16-7W-30K	12V	7w	500	3000k
LED-MR16-7W-40K	12V	7w	500	4000k