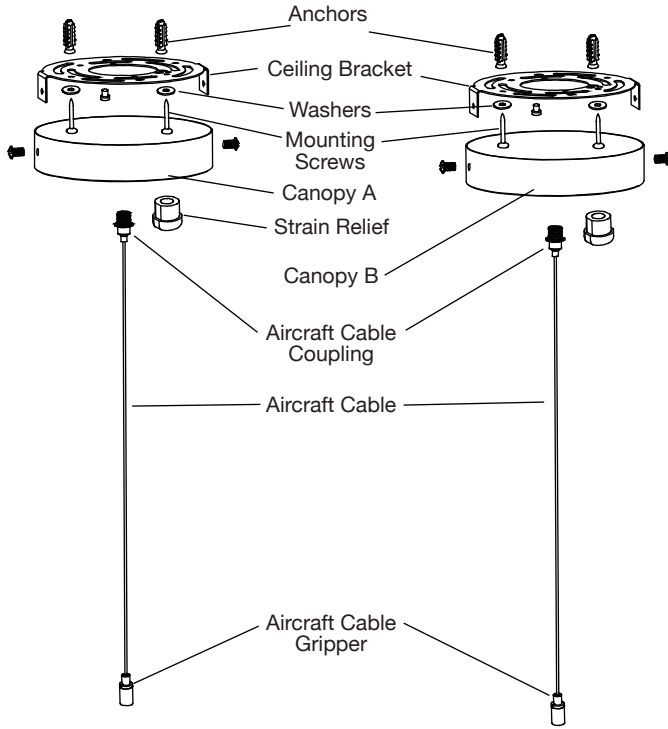


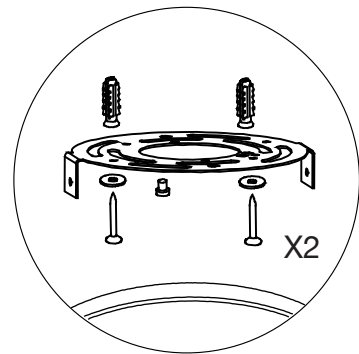
LED Linear Architectural Installation Instructions

LED-ALIN2-1FT-3P12-D-5CCT-WH
 LED-ALIN2-2FT-3P25-D-5CCT-WH
 LED-ALIN2-4FT-3P50-D-5CCT-WH
 LED-ALIN2-6FT-3P75-D-5CCT-WH
 LED-ALIN2-8FT-3P100-D-5CCT-WH

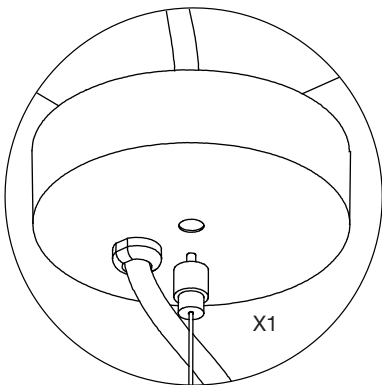
Hoisting



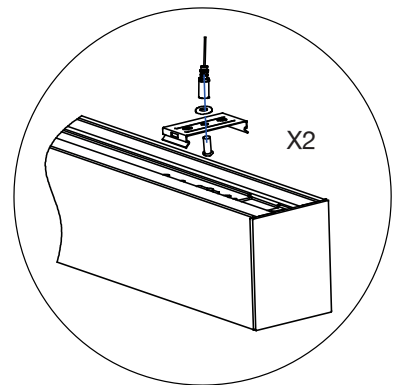
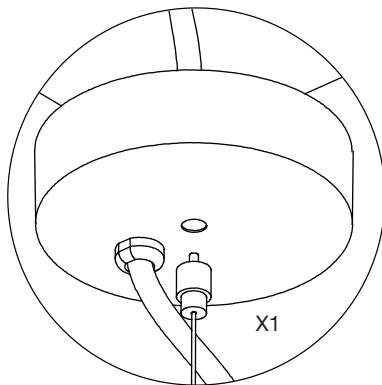
KIT: M4 12 Pan Head Cross Screw X2	KIT: Ø5*12 Shim X2



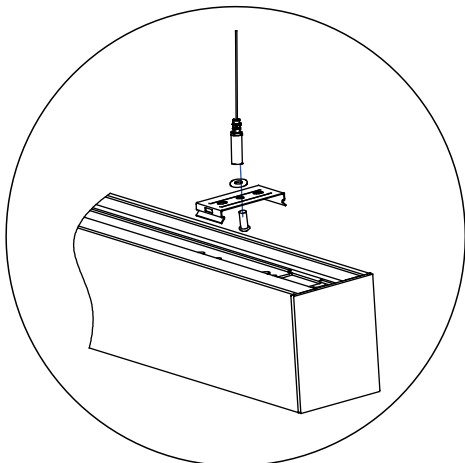
Install hanging plates and grounding wire



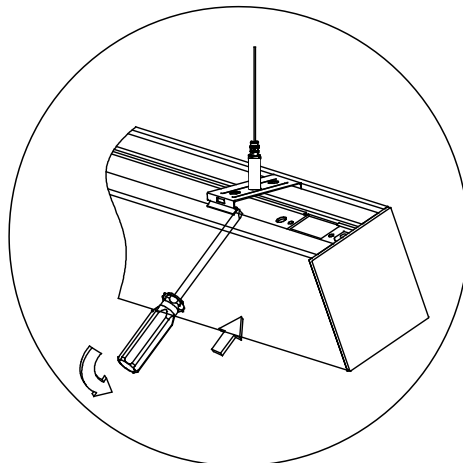
Installation and wiring of disc junction box



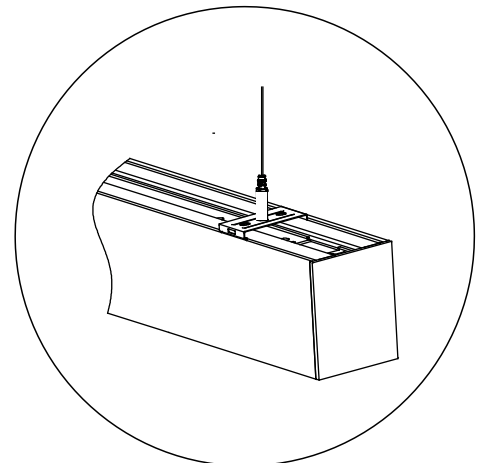
Install the suspension screw



Step 1

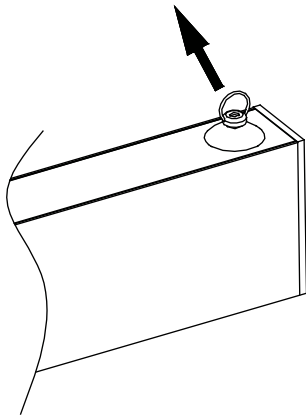


Step 2

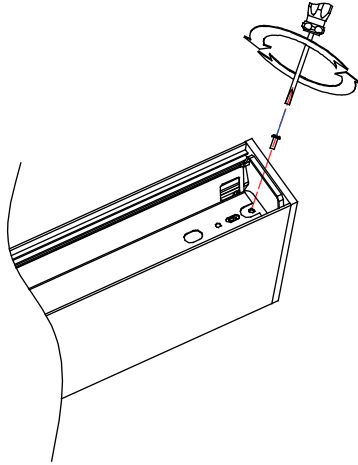


Step 3

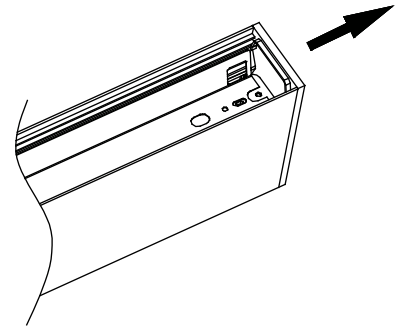
Attach Lamp Bodies



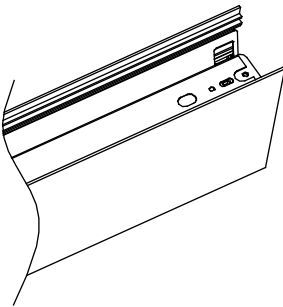
Pull the mask off with a suction cup



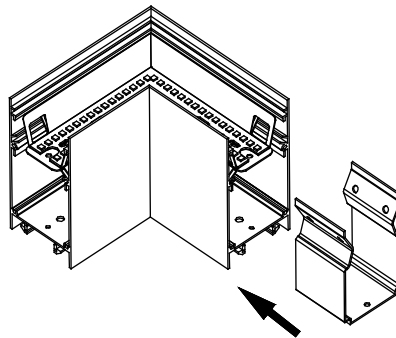
Remove the screw



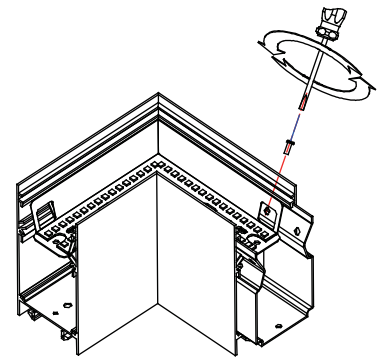
Pull the end cover out



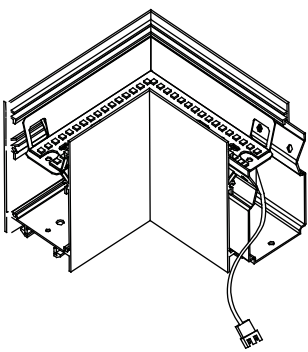
End cover removed



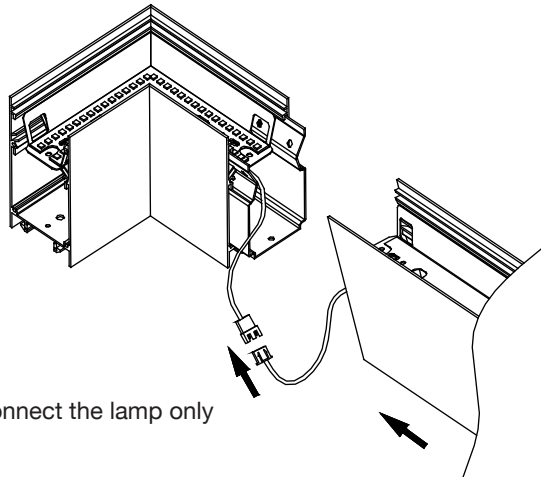
Insert the connector into the lamp body



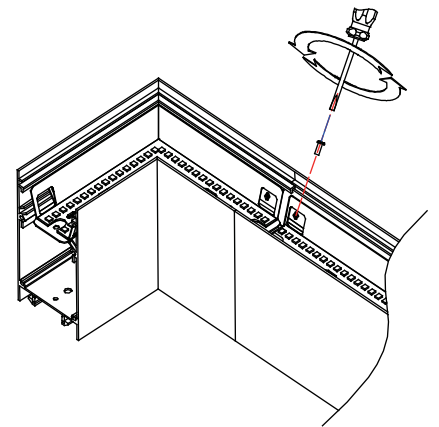
Lock the screws



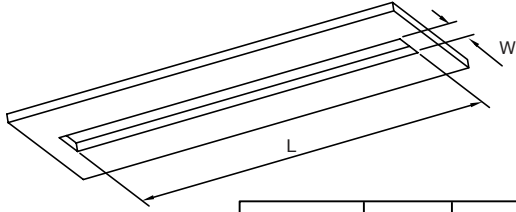
Pull the butt cord and connect the lamp only



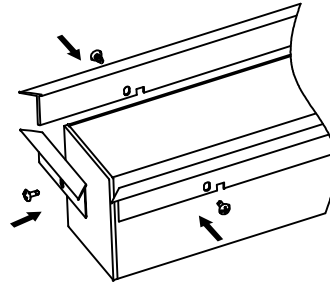
Lock the screws



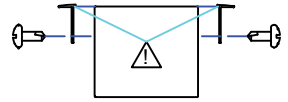
Aluminum Frame Embedded inside out




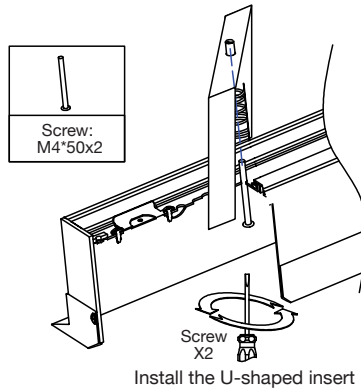
Dimensions	2ft.	4ft.	6ft.	8ft.
L	24.5"	48"	72"	95"
W	3.25"			



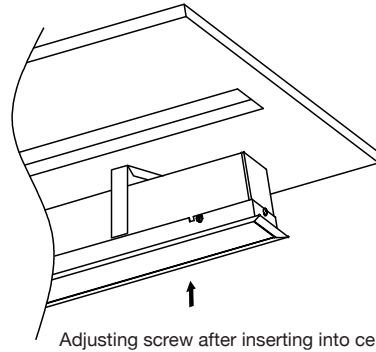
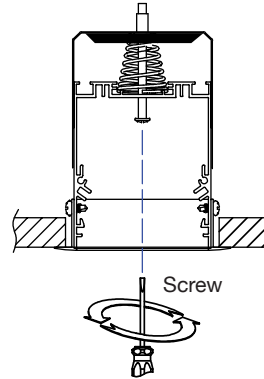
Install the border strip




Kit: M4*8 Round head dovetail screw
2ft: 8PCS. 4ft: 10PCS. 6ft: 12PCS. 8ft: 14PCS.

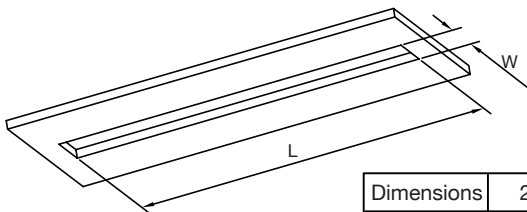


Install the U-shaped insert

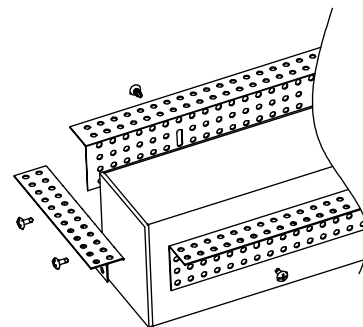


Adjusting screw after inserting into ceiling

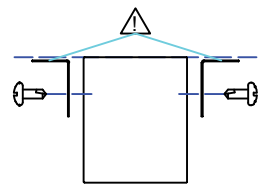
Batch Gray Embedding







Dimensions	2ft.	4ft.	6ft.	8ft.
L	24.5"	48"	72"	95"
W	3.25"			

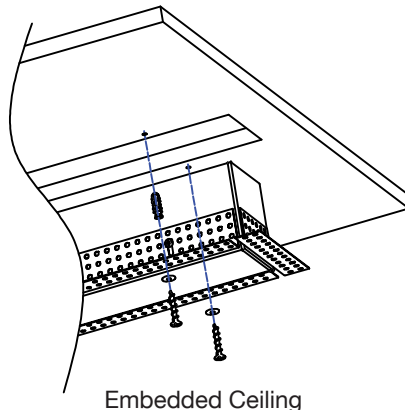


Install a batch of gray strips

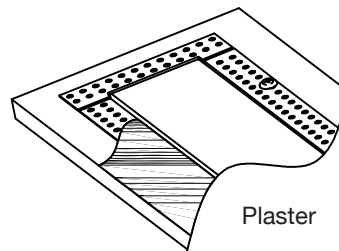



Kit: M4*8 Round head dovetail screw
2ft: 10PCS. 3ft: 10PCS. 4ft: 12PCS. 6ft: 16PCS. 8ft: 20PCS.

	
Kit: M4*25 Countersunk Cross Self-Tapping Screw	
	2ft: 6PCS. 4ft: 8PCS. 6ft: 12PCS. 8ft: 16PCS.
Kit: Ø4*12 Shim	
	
Kit: Expansion Glue Nail	

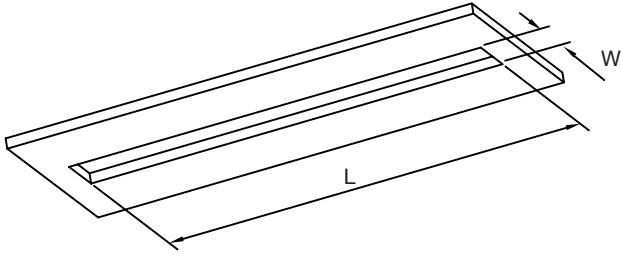


Embedded Ceiling

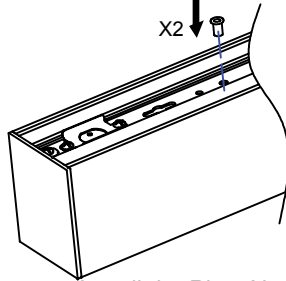
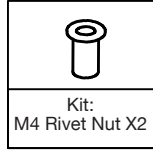


Plaster

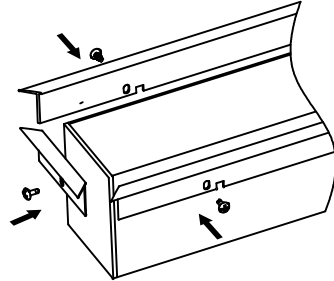
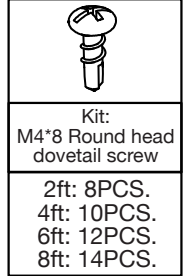
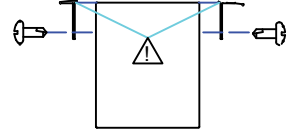
Aluminum Frame Embedded outside in



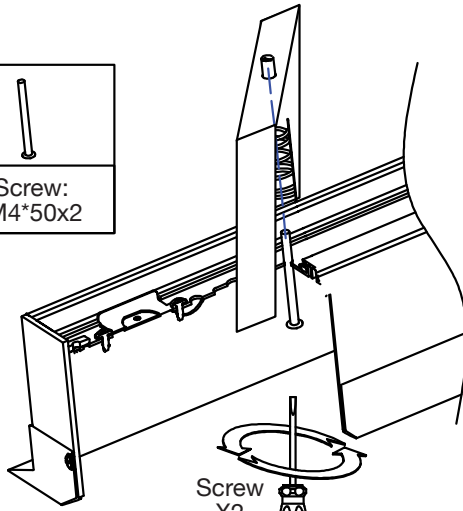
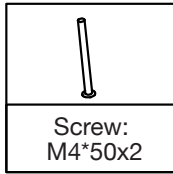
Dimensions	2ft.	4ft.	6ft.	8ft.
L	24.5"	48"	72"	95"
W	3.25"			



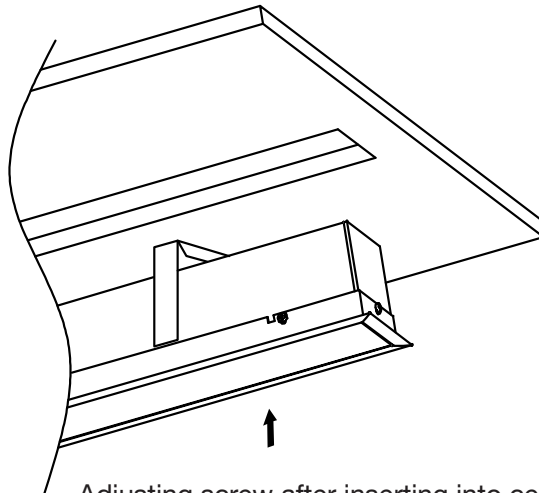
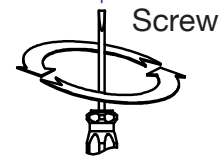
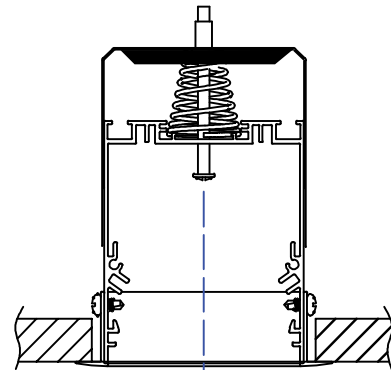
Install the Rivet Nut



Install the Border Strip



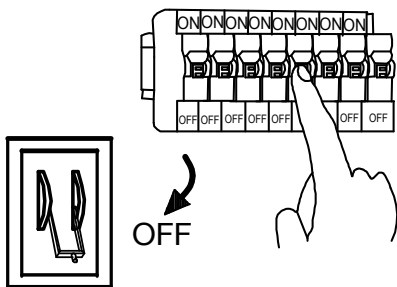
Install the U-shaped insert



Adjusting screw after inserting into ceiling

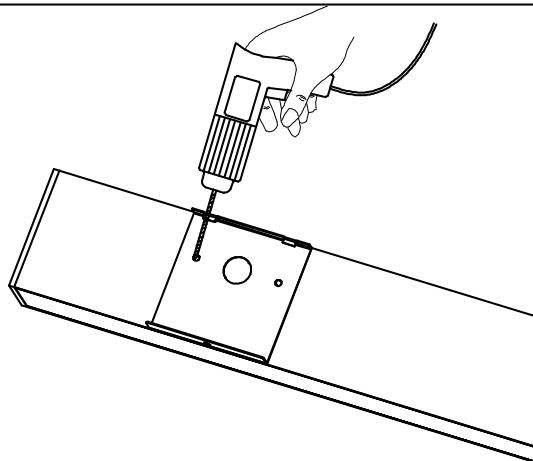
Wall Mount Installation

Step 1

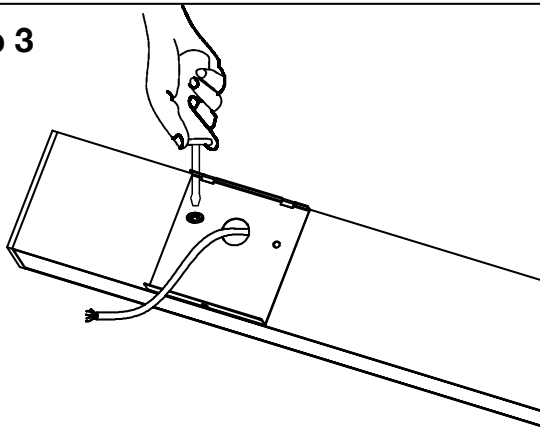


Turn off the switch

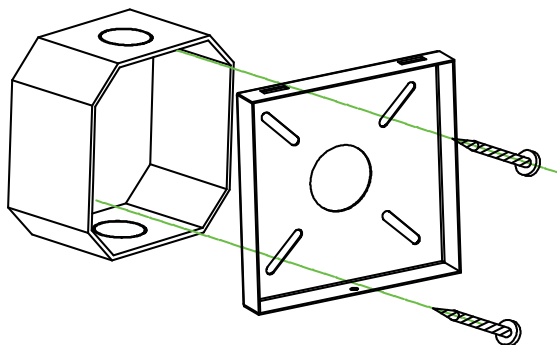
Step 2



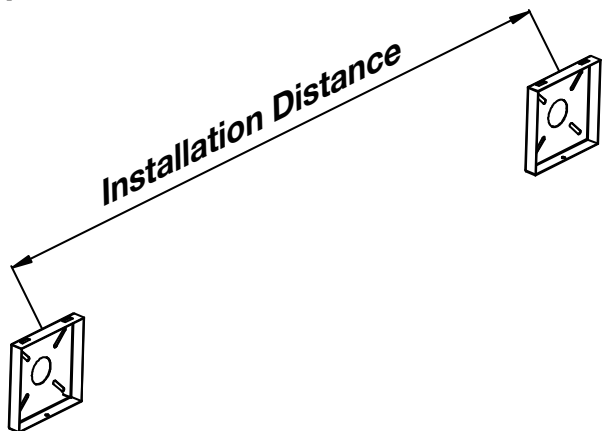
Step 3



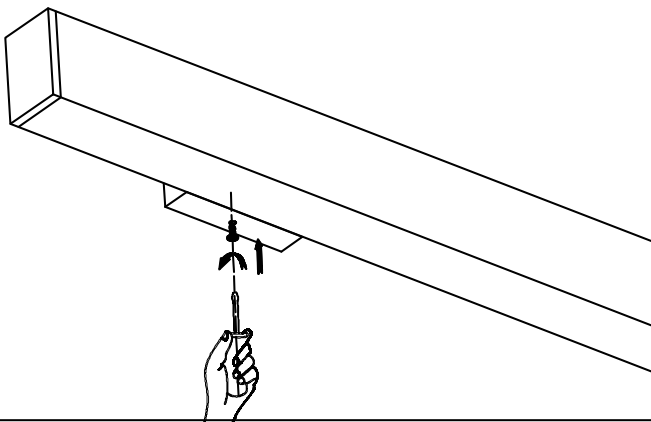
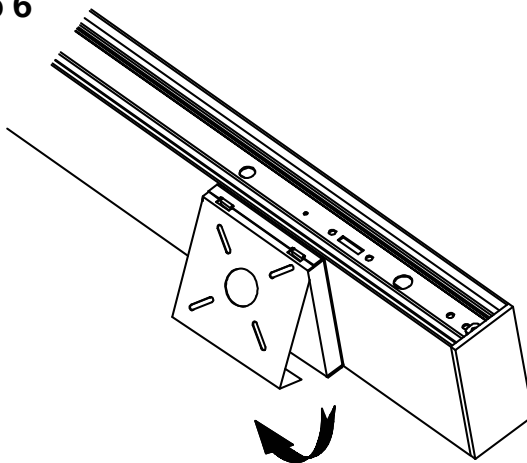
Step 4



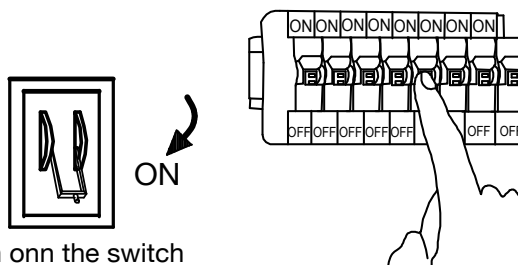
Step 5



Step 6



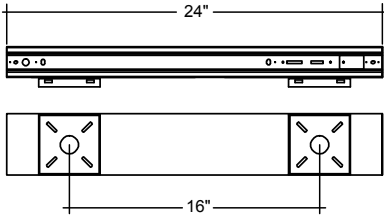
Step 7



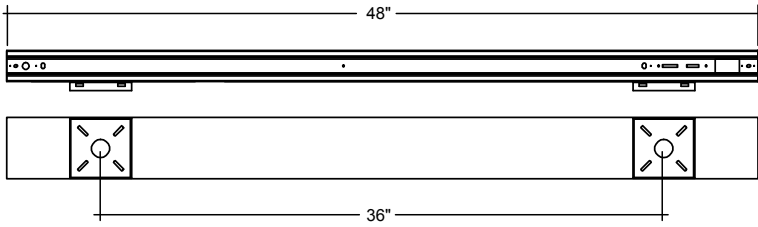
Turn on the switch

Wall Mount Placements

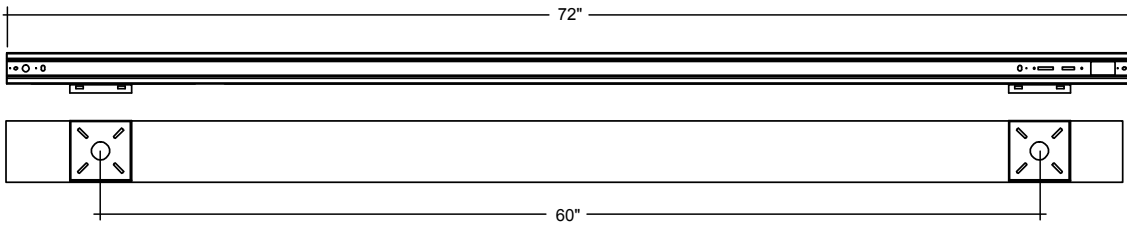
2FT



4FT



6FT



8FT

