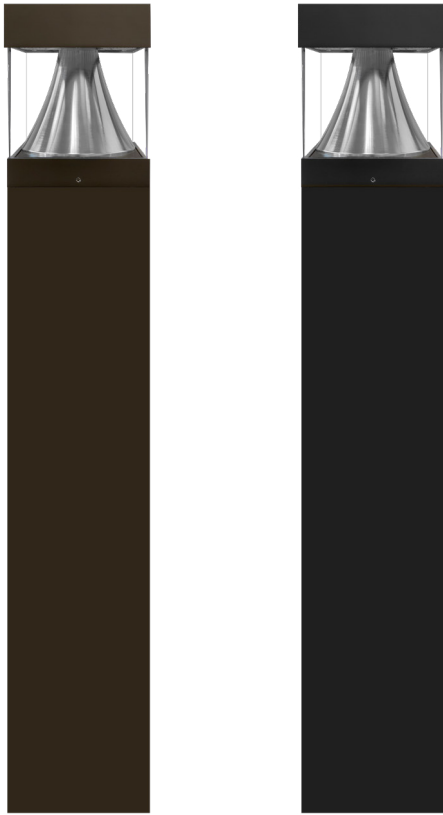


LED Bollard Fixtures (Square)



Detail Specifications:

- Finish: Bronze, Black, Custom finishes available
- IP Rating: Wet Location
- Beam Angle:
 - Cone: Type V 360°
- Chip: SMD 2835, R9 >50, CRI >80
- Operating Temperature: -4° - 122° F
- Lens: Clear Acrylic
- Average life (L70) of 50,000 hours

Applications:

- Walkways & Pathways
- Driveways
- Landscape Lighting
- Hospitality, Multi-Family
- Outdoor Corridors
- Residential, Commercial and Industrial

Product Information:

- Aluminum housing finished with corrosion free power coat
- Flat Top & Cone Shape Reflector
- Instant-On to full brightness
- Select-n-Switch Technology: 5-CCT + 3-Power Selectable

Driver Options:

- UNV: 120-277V 0-10V Dimmable
- HV: 347-480V 0-10V Dimmable
- THD: <15% (+/-5% tolerance), PF >0.9, 50/60Hz

Mounting & Installations:

- Mounting hardware included:
 - Anchor Bolt
 - Washer & Nuts

Certifications:

- UL Listed for USA and CA
- DLC Listed
- Approved for CA T24
- 5 Year Limited Warranty
- FCC CFR 47, GCC Part 15, Subpart B:2017

WATT	LUMENS
12	1,560
16	2,080
22	2,860

BUG RATING	
LOUVER	B2-U3-G2
CONE	B1-U3-G2

LED-BLD-3P22-SQ-5CCT -
 Square Bollard 12/16/22w

Voltage ¹	Inside Design	Top Shape	Finish	Height	Shield ²	Sensor	EMB
UNV 120-277V HV 347-480V	Cone	Flat	BZ Bronze BL Black CS Custom Color	- 44 - 44"	(Blank) No Shield SHLD Covers half the lens	(Blank) None BMS Bi-Level Motion Sensor + Daylight Sensor PC Photocell	(Blank) No Emergency Backup EMB 90 Minute Emergency Backup

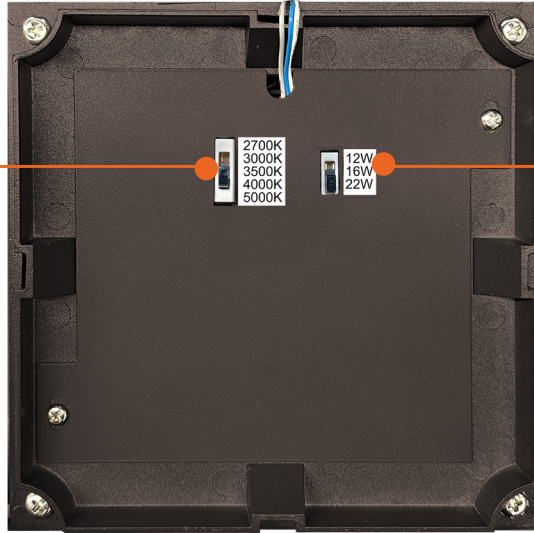
1. Standard voltage is UNV. HV is made to order.
 2. Shield options is made to order.

Specs and model numbers are subject to change with or without notice. Customization of product is available.

LED Bollard Fixtures (Square)

FEATURES

CCT Selectable-5

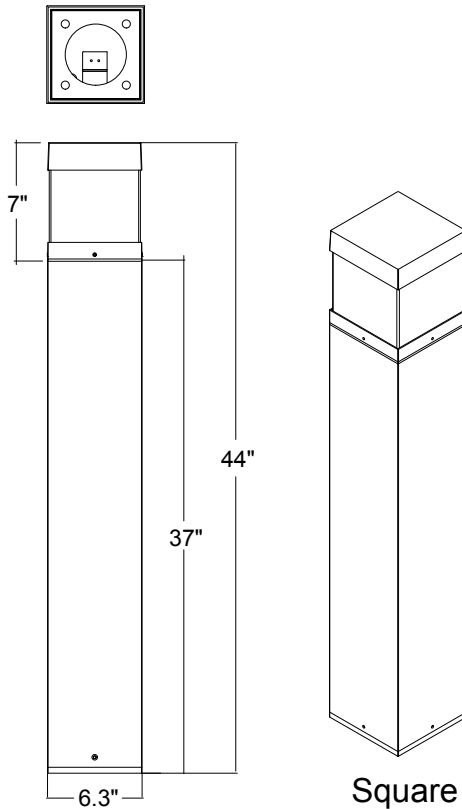


3Watt Selectable



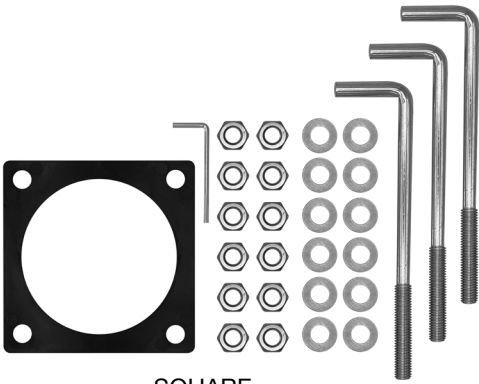
CONE LENS LED

DIMENSIONS

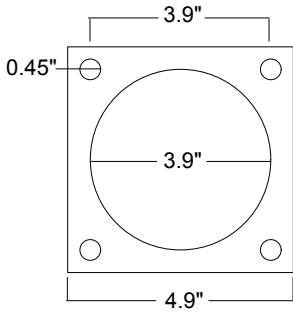


LED Bollard Fixtures (Square)

ACCESSORIES



SQUARE
Anchor Bolt Included



Square Bollard Fixture

Model	Voltage	Watts	Lumens	CRI
LED-BLD-3P22-SQ-5CCT-UNV-CN-FL-BZ-44	120-277V	12/16/22w	1560/2080/2860	>80
LED-BLD-3P22-SQ-5CCT-UNV-CN-FL-BL-44	120-277V	12/16/22w	1560/2080/2860	>80

H-Line Sensors

Model	Item Description	Voltage	Watts
HD407V-CR	Bi Level Motion Sensor w/ Daylight Harvesting Detachable Version w/ external sensor -Remote Control	120-277V	<1w

Backup Battery

Model	Input	Watt	Output
LED-EMB-8W-LV-INT	120/277V	8W	25-48V DC



HD-407V-CR
Sensor



LED-EMB-8W-LV-INT
Emergency Back Up