

---

# LED Flood Light Instructions

## CAUTION

1. Do not use an electric generator to test the LED light.
2. Please abide by related country, regional and local law and regulations when you install this fixture.
3. To avoid electrical shock and damage, please do not install the lights on rainy days.
4. Please turn off the power before installation or maintenance. Proper grounding is required to ensure safety.

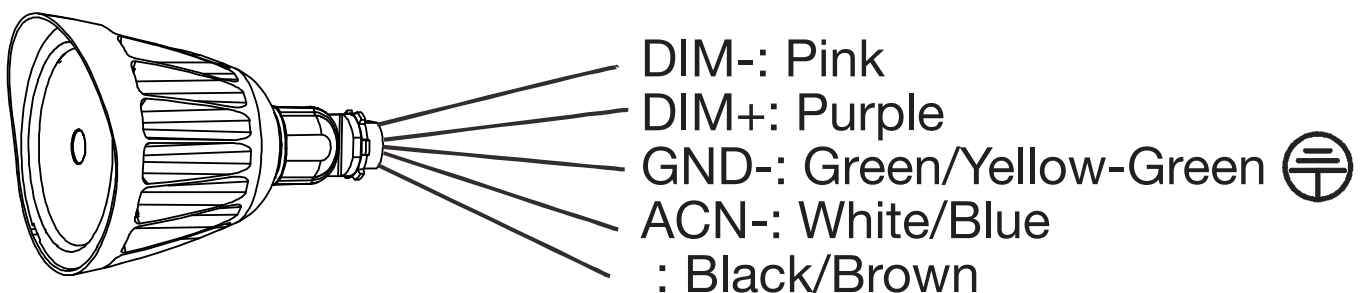
## NOTICES

1. To prevent from electric shock or fire risk, installation must be conducted by operator with professional electrical knowledge.
2. Wear gloves to avoid injury before installing lights.
3. During or after installation, if there are situations such as smoke, fire in the wires or lights, turn off the power immediately and notify relevant personnel for an overhaul.
4. This light can be used for outdoor installation.

## INSTRUCTIONS

1. Adjustable color temperature.
2. This product has dimming function
3. 2 dimming functions are available for this LED light
  - 1- Constant current can be achieved by 0-10V DC dimming.
  - 2- Variation of resistance unit dimming (Please choose the appropriate dimming way according to your needs. you can also choose not to use this function).
4. Choose the wire connection ways, dimming ways and installation ways according to your needs.

## WIRING DIAGRAM



## 1/2 ADJUSTABLE FITTER MOUNTING

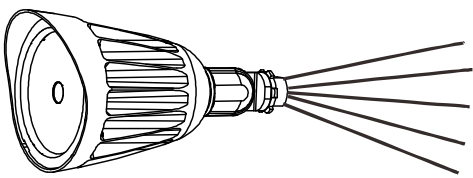
Step 1: Take light out of package (Figure 1)

Step 2: Finish wire connection according to the right mode of connection (pay attention to positive wire, negative wire and ground wire), then put wires into light pole (Figure 2)

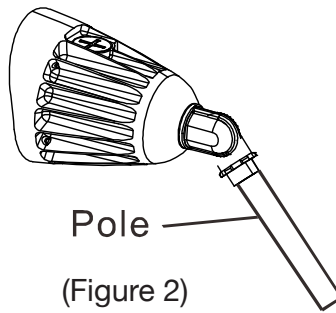
Step 3: Loosen screws, adjust fixture angle as per actual demands and tighten screws after.

Tips: Angle of the fixture is adjustable (Figure 3) Pass the bracket through mounting surface, fix with screws, then connect the wires as per proper wiring requirements (Figure 4).

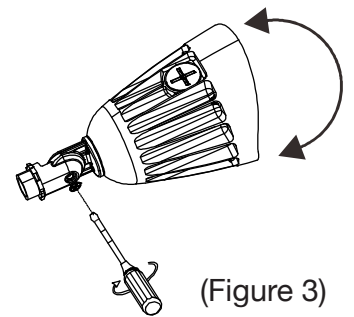
Step 4: When mounting on wall or ceiling with canopy, need to caulk to seal the mounting surface. (Figure 5).



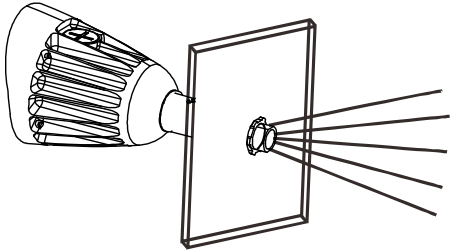
(Figure 1)



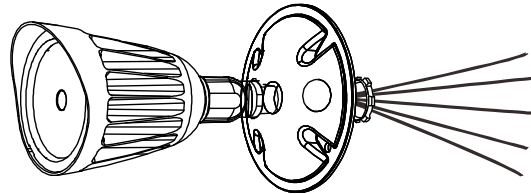
(Figure 2)



(Figure 3)



(Figure 4)



(Figure 5)

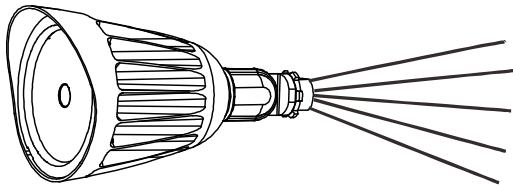
### 1/2 ADJUSTABLE FITTER MOUNTING

Step 1: Take the light out of package (Figure 6)

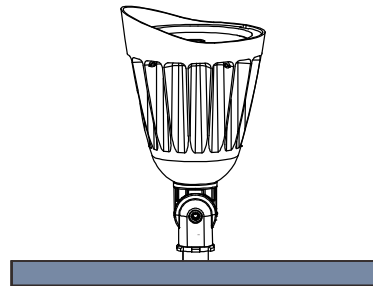
Step 2: Finish wire connection according to the right mode of connection (pay attention to positive wire, negative wire and ground wire), then put wire into light pole (Figure 7)

Step 3: Loosen screws; adjust fixture angle as per actual demands and tighten screws later.

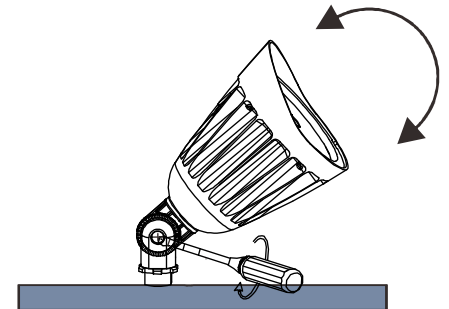
Tips: Angle of the fixture is adjustable (Figure 8); (pass the bracket through mounting surface fix with screws, then connect the wires as per proper wiring requirements).



(Figure 6)



(Figure 7)

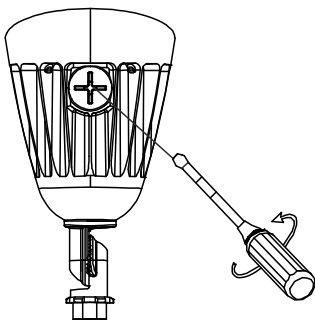


(Figure 8)

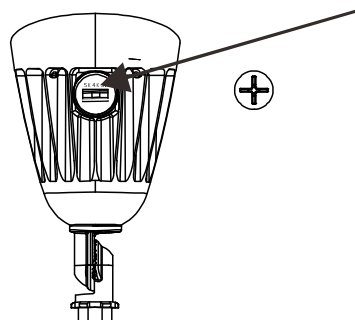
### FUNCTION ADJUSTMENT

Step 1: Open the metal plug with a screwdriver (Figure 9), then slide the switch to the desired CCT color.

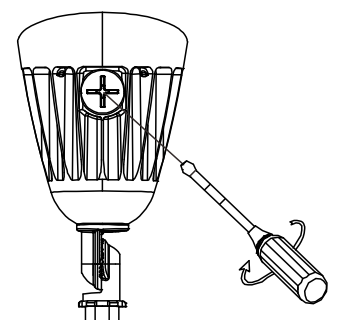
Step 2: After adjusting to the required color function, tighten the metal plug (Figure 11)



(Figure 9)



(Figure 10)



(Figure 11)