



M-Line: Bullet Flood Light

42W High Power



Detail Specification:

- Finish: Bronze
- IP Rating: Wet Location
- Beam Angle: 40°
- CCT: 30K or 50K Selectable
- Lumens: 5,250
- Chip: SMD 2835, R9 >50, CRI >80
- Operating Temperature: -4° - 122° F
- Lens: PC Lens: Clear acrylic with optics
- Average life (L70) of 70,000 hours

Applications:

- Landscape
- Walkways & Pathways
- Security Lighting
- Hospitality, Multi-Family
- Outdoor Corridors
- General Outdoor Lighting
- Residential, Commercial and Industrial

Product Information:

- Sturdy die-cast aluminum housing finished with corrosion free powder coat
- Compatible with on/off and bi-level motion sensors
- Select-n-Switch Technology
- Instant-On to full brightness

Driver Options:

- UNV: 120-277V Non-Dimmable
- Built in 6Kv Surge Protector
- THD: <20% (+/-5% tolerance), PF >0.9, 50/60Hz

Mounting & Installation:

- 1/2" Knuckle Mount
- Adjustable 180°
- Cord: #18 AWG stranded wires

Certifications:

- UL Listed for USA and CA
- DLC Listed
- Approved for CA T24
- 5 Year Limited Warranty
- FCC CFR 47, GCC Part 15, Subpart B:2017

Series

LED-BLT-42W-30K-BZ-KN-UNV

3000K

LED-BLT-42W-50K-BZ-KN-UNV

5000K

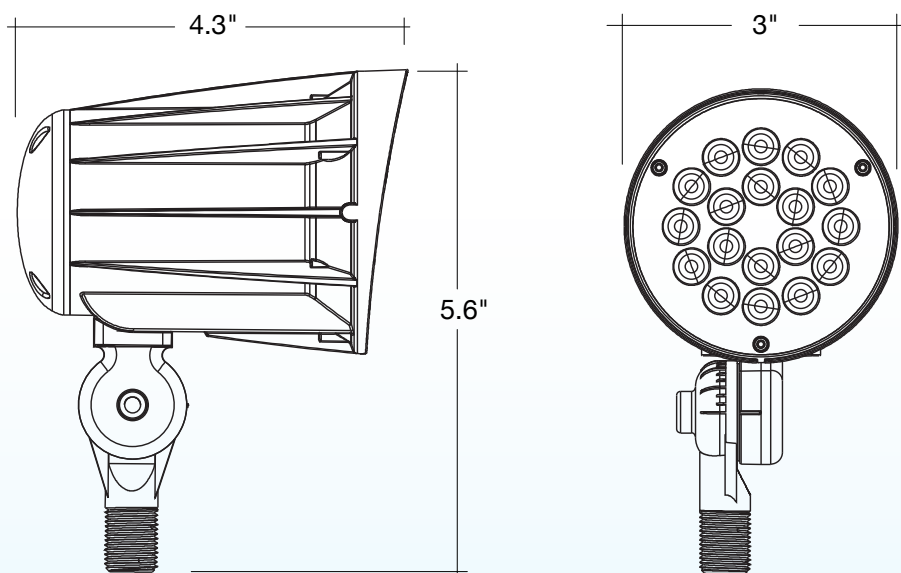
M-Line: Bullet Flood Light

42W High Power

FEATURES



DIMENSIONS



1/2" Knuckle Mount