

# Bullet Flood Light User Manual



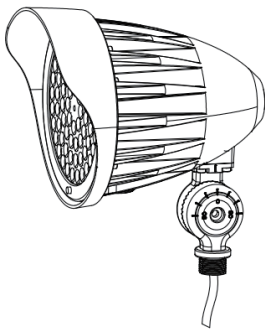
## WARNING

### PLEASE READ ALL INSTRUCTIONS BEFORE ATTEMPTING INSTALLATION

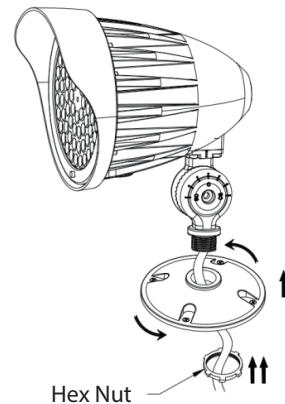
- To prevent personal injury or product damage only licensed electricians should install.
  - To avoid electric shock or component damage disconnect power before attempting installation or servicing.
  - Disconnect product and allow cooling prior to servicing.
  - Any alteration or modification of this product is forbidden as it may cause personal injury, death, property damage and/or product malfunction.
- To prevent product malfunction and/or electrical shock this product must be properly grounded.  
— This luminaire is designed to operate in ambient temperatures ranging from -40°C to 45°C.  
— MIN 75°C SUPPLY CONDUCTORS.  
— CONSULT A QUALIFIED ELECTRICIAN TO ENSURE CORRECT BRANCH CIRCUIT CONDUCTOR.

## Mounting Instructions

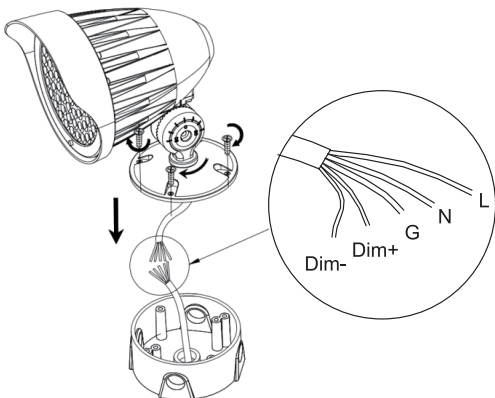
1. Unpack the bullet flood light from its packaging. Inspect product for defects due to shipping.



2. Thread the fixture into the cover plate (not provided), screw the hex nut (provided in the accessory bag), and face the fixture in the preferred direction.

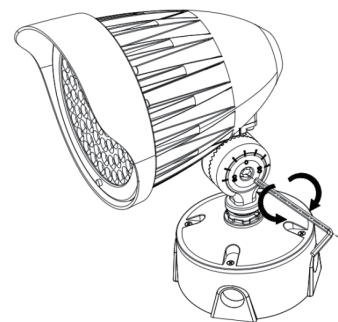


3. Connect the fixture input wires, per the wiring diagram below, ensure all connectors are secure, then lock the junction box by the screws(not provided)



### Wiring Diagram

Black	○	Line
White	○	Neutral
Green	○	Ground
Purple	○	Dim+
Pink	○	Dim-



4. Loosen the screw and adjust the fixture to desired angle, then retighten the screw.

5. Turn on the electricity to verify your successful installation.