

Project: _____
 Part#: _____
 Type: _____

Center Basket Troffer

The EnVision LED Center Basket Troffer Series are different from standard troffer in the market. The PC housing makes it unique because it is light, doesn't get damaged or get dings in transit or at the job site, and provides a much cleaner and uniformed light distribution when lit. In addition, EnVision's troffer features a u-shaped heat sink inside in order to spread the beam distribution and give the fixture backlight. Retrofit existing fluorescent troffers used in drop ceilings, enjoy minimal power consumption, long lifespan, and bright illumination.

Applications:

- Commercial Lighting
- Office Lighting
- Fluorescent Retrofitting
- Surface Mount, Recessed Lighting, T-Bar and Lay-in

Product Information:

- Flicker-free 0-10V dimmable internal driver
- Up to 56% higher efficiency than fluorescent
- Emergency backup model allows for easy installation
- Single color temperature available: (3500k, 4000k, and 5000k)
- Variable color temperature & brightness model available: (switches between 3000k, 3500k, 4000k, 5000k)



L E D - C B T - **Size** **Watts** **Color** **Accessories** **BMS** **EMB** **Warranty**

1 **2** **3** **4** **5** **6** **7** **8**

| 1 Product | 2 Size | 3 Watts | 4 Color | 5 Accessories | 6 BMS | 7 EMB | 8 Warranty |
|-----------|--------------------------------|---|---|--|----------------------|---|---|
| LED-CBT | 2x2 24" x 24" 2x4 24" x 48" | 28W 28W, 3,640 lm (2x2 only) 35W 35W, 4,550 lm 50W 50W, 6,500 lm (2x4 only) | (Blank) Only if PC-CCT is chosen 3500K 4000K 5000K | (Blank) 2X2-SM-3.5" 2X4-SM-3.5" LED-PNL-2X2-FLNG LED-PNL-2X4-FLNG | None MS BMS | None Motion Sensor (Internal) Bi-Level Motion Sensor (Internal) | (Blank) 5 Year (incl. 10 Year) None Emergency Backup (10YR) Emergency Backup (90 Mins. Internal 15W) |
| PC-CCT | | 20/25/30/35W - 30/35/40/50K (For lumen output see below) | 35K 40K 50K | 2X2 Surface Mount Frame 2X4 Surface Mount Frame 2X2 Flange Drywall Kit 2X4 Flange Drywall Kit | (Blank) MS BMS | None Motion Sensor (Internal) Bi-Level Motion Sensor (Internal) | (Blank) 5 Year (incl. 10 Year) None Emergency Backup (10YR) Emergency Backup (90 Mins. Internal 15W) |

PC-CCT Power & Lumens Ratings

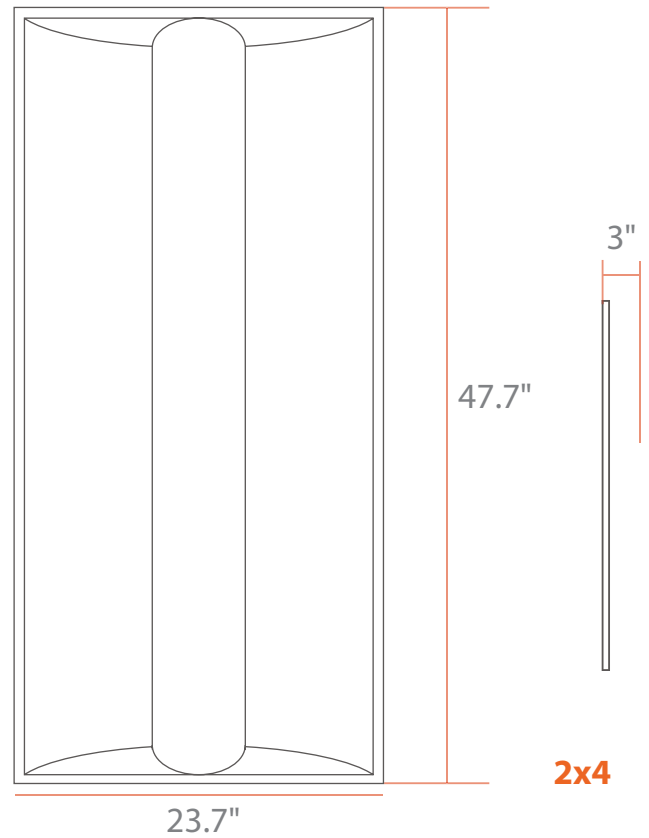
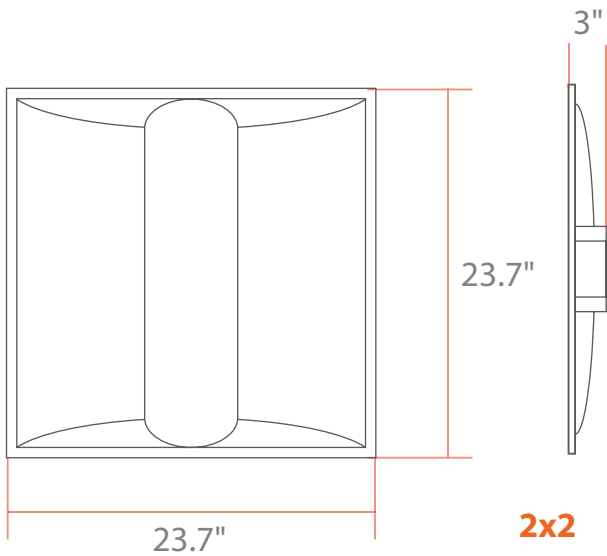
| 2x2 | 2x4 |
|--------------|--------------|
| 20W: 2,600lm | 35W: 3,640lm |
| 25W: 3,250lm | 40W: 5,200lm |
| 30W: 3,900lm | 45W: 5,850lm |
| 35W: 4,550lm | 50W: 6,500lm |

Specs and model numbers are subject to change with or without notice



Center Basket Troffer

DIMENSIONS



FEATURES

EnVision's unique U-shaped troffer heatsink offers increased surface area and thus superior cooling capacity when compared to a typical flat heatsink.

U-Shaped Heatsink

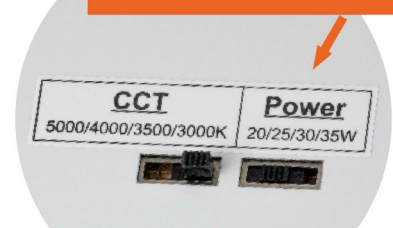


Test button will be pre-installed to the fixture. No need for external junction box for test switch. Works for Drop Ceiling, Flange, and Surface Mount Application

Center Basket Troffer

ACCESSORIES

Easily change color temp. & lighting power with rear-side switches (PW-CCT models only)



Power & luminosity settings vary by size (2x2 shown)



EMB

Emergency Backup Battery



BMS

Bi-Level Motion Sensor

FIXTURE & ACCESSORY REFERENCE TABLE

| Fixture Model | Voltage | Watts | Lumens | Color | CRI |
|------------------------|----------|-------|----------|----------|-----|
| LED-CBT-2X2-28W-50K-HL | 120-277V | 28w | 3,640 | 5000K | >80 |
| LED-CBT-2X2-28W-40K-HL | 120-277V | 28w | 3,640 | 4000K | >80 |
| LED-CBT-2X2-28W-35K-HL | 120-277V | 28w | 3,640 | 3500K | >80 |
| LED-CBT-2X2-35W-50K-HL | 120-277V | 35w | 4,550 | 5000K | >80 |
| LED-CBT-2X2-35W-40K-HL | 120-277V | 35w | 4,550 | 4000K | >80 |
| LED-CBT-2X2-35W-35K-HL | 120-277V | 35w | 4,550 | 3500K | >80 |
| LED-CBT-2X2-PC-CCT-HL | 120-277V | 20-40 | Variable | Variable | >80 |
| LED-CBT-2X4-35W-50K-HL | 120-277V | 35w | 4,550 | 5000K | >80 |
| LED-CBT-2X4-35W-40K-HL | 120-277V | 35w | 4,550 | 4000K | >80 |
| LED-CBT-2X4-35W-35K-HL | 120-277V | 35w | 4,550 | 3500K | >80 |
| LED-CBT-2X4-50W-50K-HL | 120-277V | 50w | 6,500 | 5000K | >80 |
| LED-CBT-2X4-50W-40K-HL | 120-277V | 50w | 6,500 | 4000K | >80 |
| LED-CBT-2X4-50W-35K-HL | 120-277V | 50w | 6,500 | 3500K | >80 |
| LED-CBT-2X4-PC-CCT-HL | 120-277V | 35-50 | Variable | Variable | >80 |

| Accessory Model | Description |
|------------------|-------------------------------------|
| LED-EMB-15W-LV | Emergency Backup Battery |
| 2X2-SM-3.5" | 2X2 Surface Mount Kit (3.5" Height) |
| 2X4-SM-3.5" | 2X4 Surface Mount Kit (3.5" Height) |
| LED-PNL-2X2-FLNG | 2X2 Flange Mount Kit |
| LED-PNL-2X4-FLNG | 2X4 Flange Mount Kit |

2x2



2x4



Surface Mount Frame
(3.5" Height)

2x4



2x2



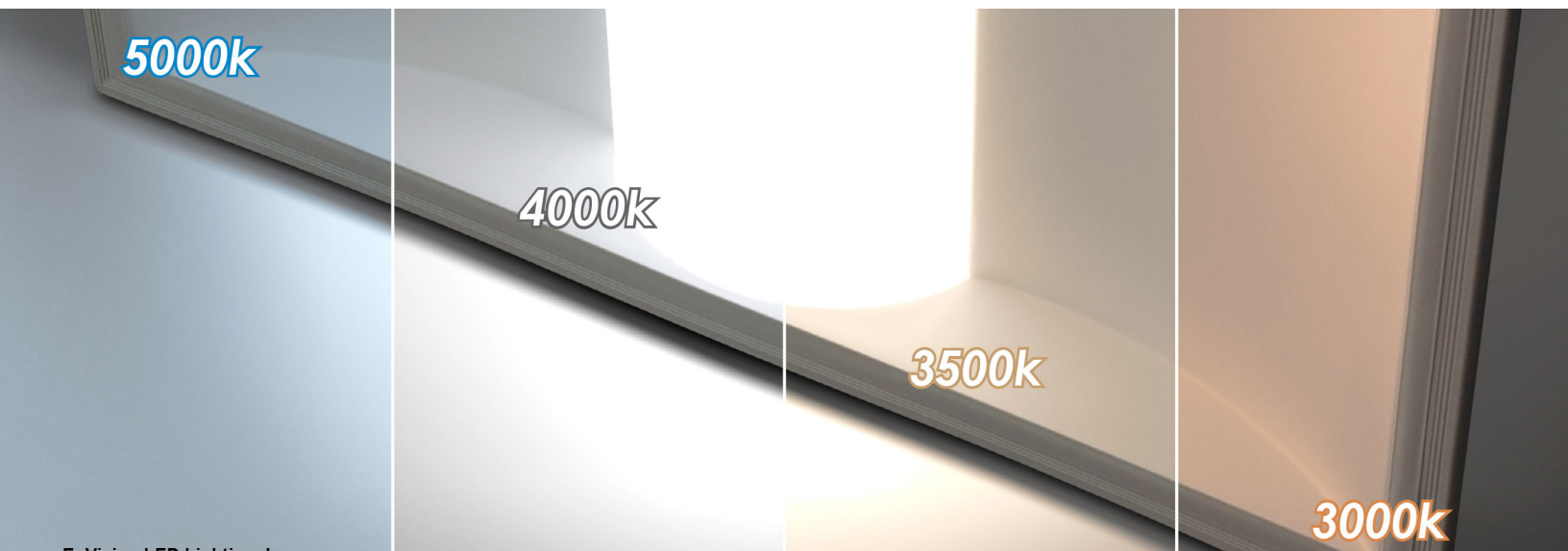
Flange Drywall Kit

5000k

4000k

3500k

3000k



Center Basket Troffer

WIRING DIAGRAM

