

# Installation Instructions

LED-CBT-TL-2X2-3P40-4CCT  
LED-CBT-TL-2X4-3P50-4CCT

### Watt & CCT Selection

**2X2 WATT**

40W | 30W | 20W

Pre-Set: 40W

**2X4 WATT**

50W | 40W | 30W

Pre-Set: 50W

**Watt Adjustable**

2x2 size: 20W/30W/40W (Pre set 40W)

2x4 size: 30W/40W/50W (Pre set 50W)

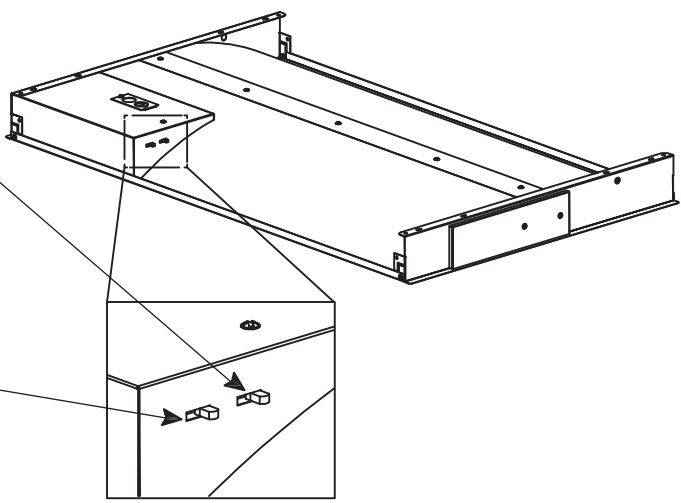
**4-CCT Selectable**

5000K | 4000K | 3500K | 3000K

Pre-Set CCT: 4000K


**4-CCT Adjustable**

3000K - 3500K - 4000K - 5000K



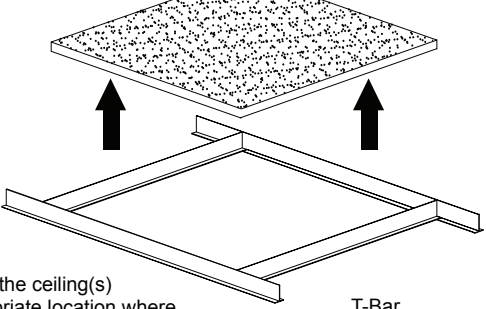
### T-Grid Ceiling Installation

**Step 1**



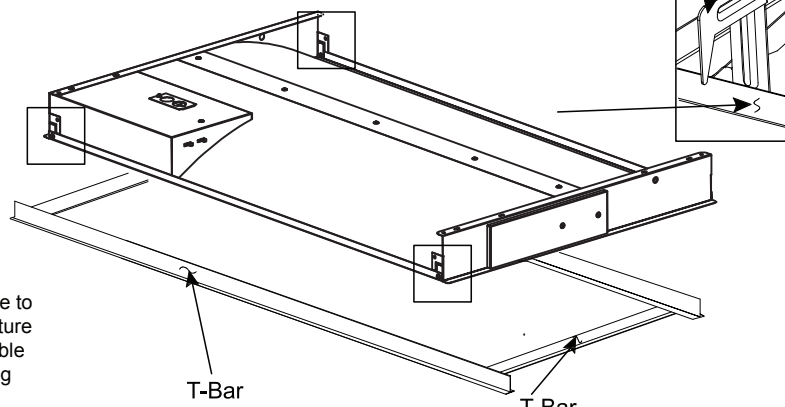
Turn off the switch

**Step 2**



Remove the ceiling(s) at appropriate location where the light fixture is to be installed.

T-Bar

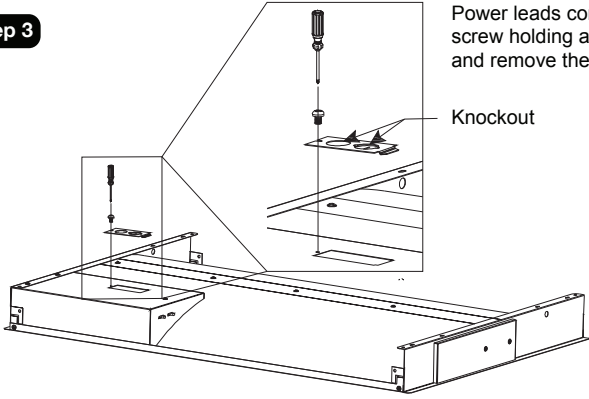


T-Bar

T-Bar

After securing the light fixture to the T-bar secure the light fixture to the ceiling with aircraft cable or wires capable of supporting 100lbs. minimum

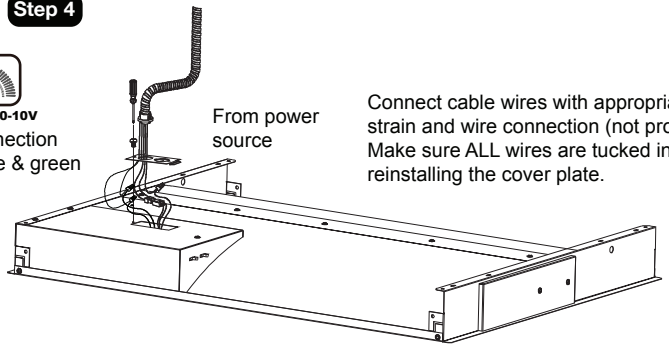
**Step 3**



Power leads connection remove screw holding access cover plate and remove the necessary knockout

Knockout

**Step 4**



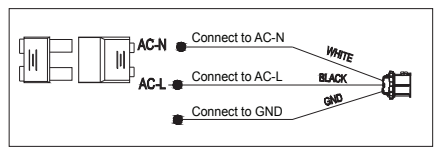
**DIMMABLE 0-10V**

3-wire connection black, white & green

From power source

Connect cable wires with appropriate relief strain and wire connection (not provided). Make sure ALL wires are tucked in before reinstalling the cover plate.

**Wiring Diagram**



**Step 5**

