

ARCY-Line: 2x2 & 2x4 Center Basket

4-CCT & 3-Power Selectable



Detail Specification:

- Finish: White
- IP Rating: Damp Location (IP44)
- Beam Angle: 120°
- Chip: SMD 2835, R9 >50, CRI >80
- Operating Temperature: -40° - 114° F
- Lens: Frosted, non-yellowing
- Average life (L70) of 50,000 hours

Applications:

- General Indoor Lighting
- Utility & Storage
- Garage Structures
- Office and Meeting Rooms
- Education, Healthcare, Retail, Hospitality
- Commercial and Industrial

Product Information:

- Aluminum housing finished with corrosion free power coat
- Even light distribution
- Lightweight for easier installation
- Select-n-Switch Technology: 4-CCT + 3-Power Selectable

Driver Options:

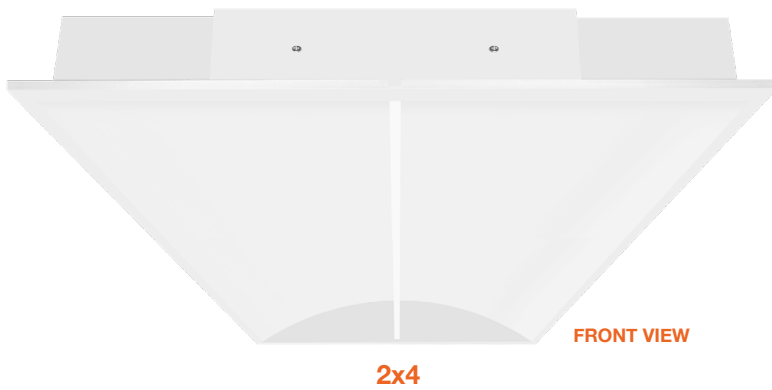
- UNV: 120-277V 0-10V Dimmable (Dim to Off)
- THD: <20% (+/-5% tolerance), PF >0.9, 50/60Hz
- Isolated Driver
- Flicker Free

Mounting & Installation:

- Lay-in ceilings for 5/8" and 3/8" ceiling widths
- Built-in earthquake clips
- Optional 9' suspension kit available
- Optional drywall kit available
- Use surface mount and suspension kit for an aesthetically pleasing design

Certifications:

- UL Listed for USA and CA
- DLC Standard Listed
- Approved for CA T24
- 5 Year Limited Warranty
- FCC CFR 47, GCC Part 15, Subpart B:2017



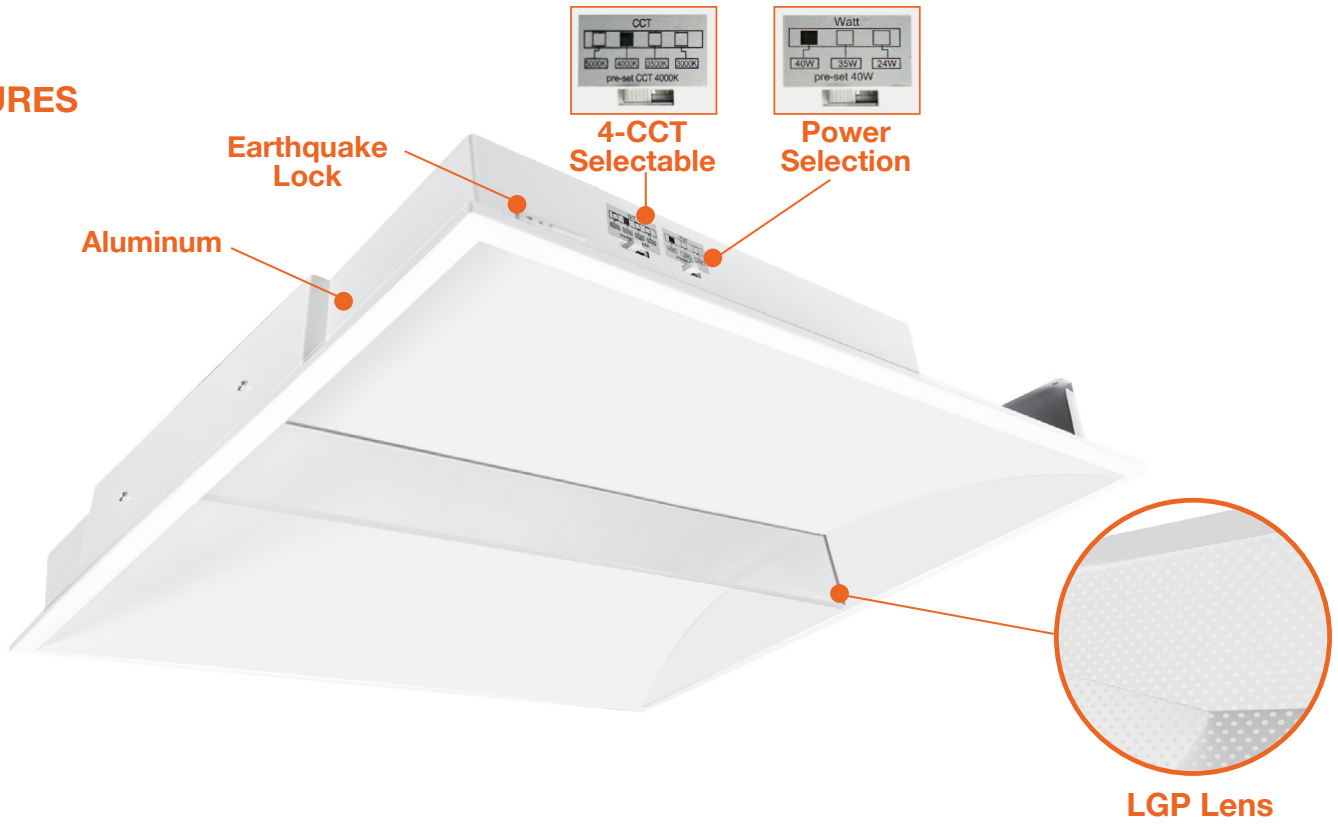
2X2-3P40		2X4-3P50	
WATT	LUMENS	WATT	LUMENS
24	2,880	30	3,600
35	4,200	40	4,800
40	4,800	50	6,000

Series	Sensor	Emergency	Whip
LED-CBT-TL-2X2-3P40-4CCT 24/35/40W • 120-277V	(Blank) No Sensor	(Blank) No Emergency	(Blank) No Whip
LED-CBT-TL-2X4-3P50-4CCT 30/40/50W • 120-277V	BMS Bi-Level Motion + Daylight Sensor (S-BMS-INT-1)	EMB Emergency Backup	-6FLX 6' Flex
	BMS-BT Bi-Level Motion + Daylight Sensor + Bluetooth App Controlled (S-BMS-INT-1-BT)		

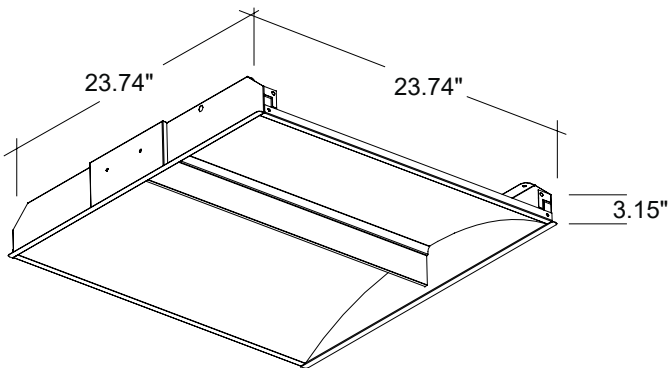
Optional Accessories (Order Separately)		
Suspension Kits	Drywall Kits	BMS Controller
SK-10FT-Y-LC-CB 10' Suspension Kit	LED-PNL-2X2-FLNG Drywall Kit	S-LINE-DIM-BT Wall Dimmer
SK-20FT-Y-LC-CB 20' Suspension Kit	LED-PNL-2X4-FLNG Drywall Kit	S-LINE-R Remote for S-Line Sensor

Specs and model numbers are subject to change with or without notice. Customization of product is available.

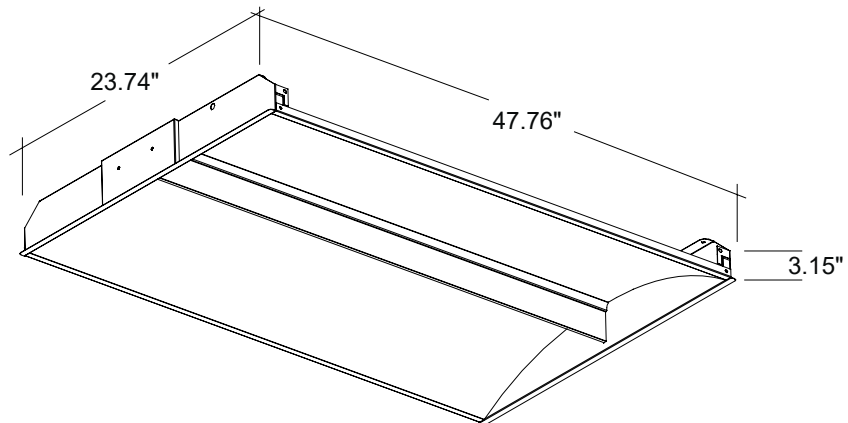
FEATURES



DIMENSIONS



2x2



2x4

Specs and model numbers are subject to change with or without notice. Customization of product is available.

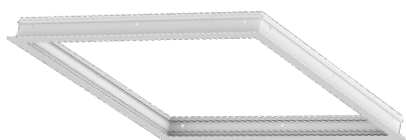
ARCY-Line: 2x2 & 2x4 Center Basket

4-CCT & 3-Power Selectable

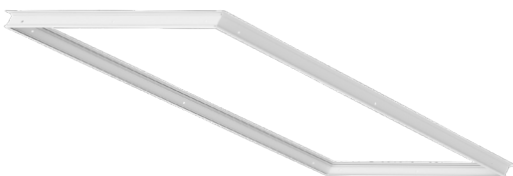
ACCESSORIES



SK-10FT-Y-LC-CB
SK-20FT-Y-LC-CB



LED-PNL-2X2-FLNG



LED-PNL-2X4-FLNG



S-LINE-R



S-LINE-DIM-BT



S-BMS-INT-1
S-BMS-INT-1-BT

TROFFERS

Fixture Model	Voltage	Watts	Lumens	Color	CRI
LED-CBT-TL-2X2-3P40-4CCT	120-277V	40/35/24w	4,800/4,200/2,880	30/35/40/50k	>80
LED-CBT-TL-2X4-3P50-4CCT	120-277V	50/40/30w	6,000/4,800/3,600	30/35/40/50k	>80

SUSPENSION KITS

Accessory	Description
SK-10FT-Y-LC-CB	10' Suspension Kit
SK-20FT-Y-LC-CB	20' Suspension Kit

DRYWALL KITS

Accessory	Description
LED-PNL-2X2-FLNG	Flange (Drywall) Kit for all 2X2 Fixtures
LED-PNL-2X4-FLNG	Flange (Drywall) Kit for all 2X4 Fixtures

BMS CONTROLLER

Model	Item Description	Voltage	Watts
S-LINE-R	Remote for S-LINE Series Sensors	12V	<1w
S-LINE-DIM-BT	Dimmer for S-LINE Series Bluetooth Sensors		<1w

S-LINE SENSORS

Model	Item Description	Voltage	Watts
S-BMS-INT-1	S-Line: Bi Level Motion Sensor w/ Daylight Harvesting, Ideal for use with LED-CBT. 12V Aux REQD. (Remote Optional)	12V	<1w
S-BMS-INT-1-BT	S-Line: Bi Level Motion Sensor w/ Daylight Harvesting, Ideal for use w/ LED-CBT 12V Aux REQD. (Remote or ENVISION SMART APP)	12V	<1w