

Project: \_\_\_\_\_ Part #: \_\_\_\_\_  
Type: \_\_\_\_\_

# Cusp Disk Surface Mounts

With PIR on/off sensor

Surface Mounts



## Detail Specifications:

- Finish: White
- IP Rating: Wet Location
- Beam Angle: 100°
- Chip: SMD 2835, R9 >50, CRI >90
- 3 Step MacAdam Ellipses
- Operating Temperature: -40° - 114° F
- Lens: Frosted Acrylic, non-yellowing
- Housing: Metal
- Average life (L70) of 50,000 hours

## Applications:

- General Recessed Lighting
- Residential & Multifamily
- Office and Meeting Rooms
- Education, Healthcare, Retail, Hospitality

## Product Information:

- Motion sensor turns off after one minute
- AC technology: slim and easy driverless installation
- Ideal for remodel and new construction use
- Slim and sleek design

## Driver Options:

- 120V
- This fixture is non-dimmable
- THD: <20% (+/-5% tolerance), PF >0.9, 50/60Hz
- AC Driverless technology
- Flicker Free

## Mounting & Installation:

- 30/40 Junction Box (including pancake j-box)
- Surface mount bracket included

## Certifications:

- ETL Listed for USA and CA
- Energy Star Certified
- CA Title 24 JA8-2022 CEC Listed
- 5 Year Limited Warranty
- FCC CFR 47, GCC Part 15, Subpart B:2017
- IC Rated and ASTM-E283 Air-Tight
- Closet Rated

### Series

#### LED-CDSK-4-10W-5CCT-WH-PIR

650Lm • 27/30/35/40/50K

#### LED-CDSK-6-15W-5CCT-WH-PIR

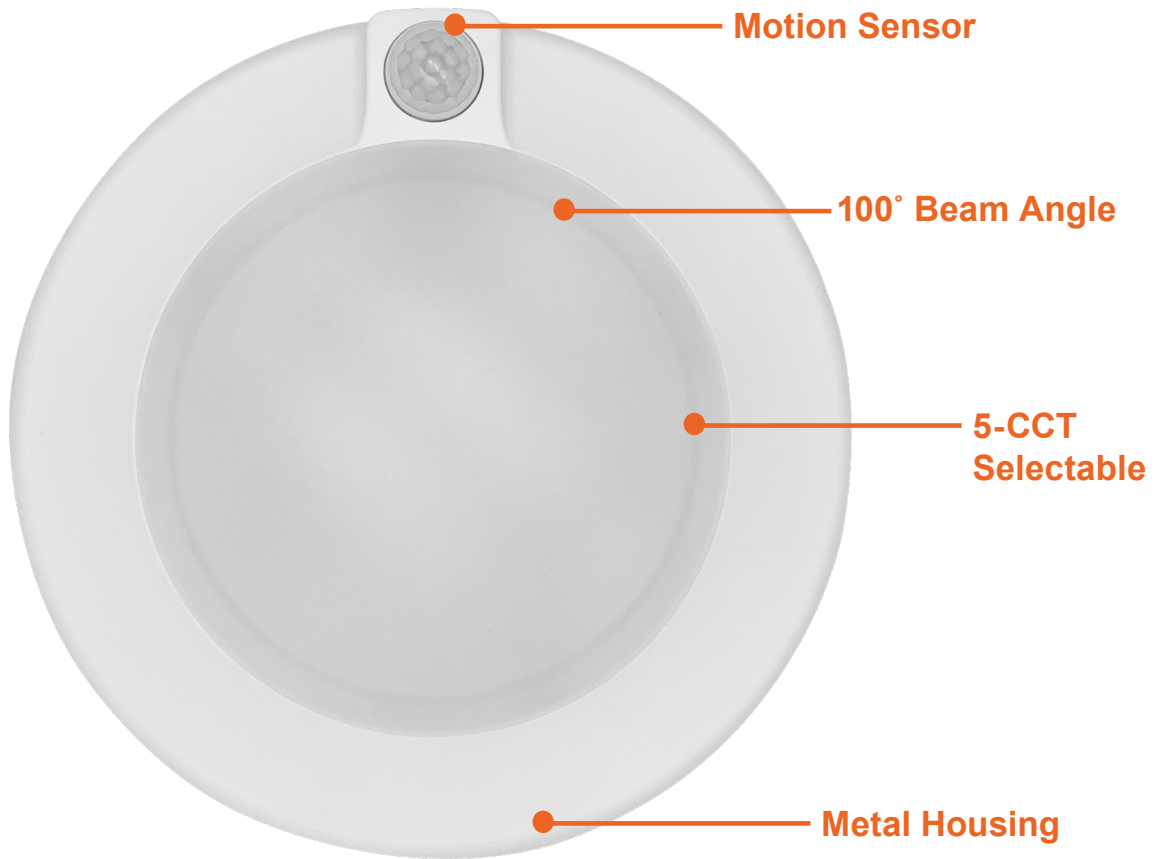
1,000Lm • 27/30/35/40/50K

Specs and model numbers are subject to change with or without notice. Customization of product is available.

# Cusp Disk Surface Mounts

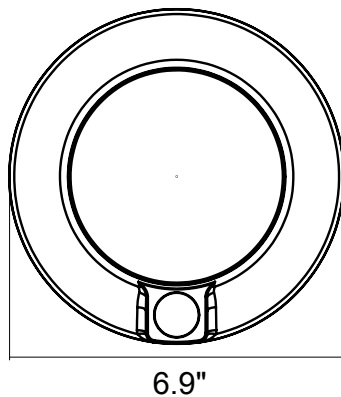
With PIR on/off sensor

## FEATURES

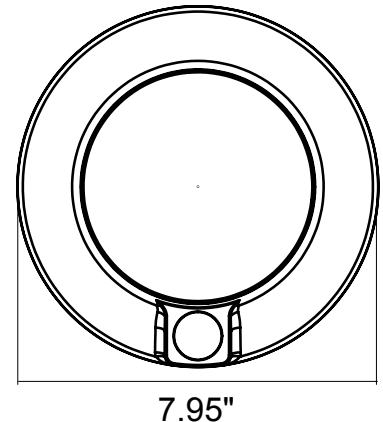
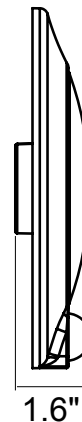


## DIMENSIONS

Model	Voltage	Watts	Lumens	Color	CRI
LED-CDSK-6-15W-5CCT-WH-PIR	120V	15w	1000	27/30/35/40/50K	>90
LED-CDSK-4-10W-5CCT-WH-PIR	120V	10w	650	27/30/35/40/50K	>90



4" Disk



6" Disk