

Installation Instructions



Please read and understand this entire manual before attempting to assemble, operate or install the product.

WARNING:

Risk of fire or electric shock. Changes or modifications to this unit not expressly approved by the party responsible for compliance could void the user's authority to operate the equipment. Risk of fire or electric shock. Install this kit only in the luminaires that have the construction features and dimensions shown in the photographs and/or drawings. To prevent wiring damage or abrasion, do not expose wiring to edges of sheet metal or other sharp objects. Do not make or alter any open holes in an enclosure of wiring or electrical components during kit installation. The recessed luminaire is intended for mounting only in a covered ceiling where only the led side of the luminaire will be exposed to damp or wet locations. The thickness of the ceiling controlled within 2 to 17 mm. Do not place your hand underneath spring clip during removal process. Snapping of the clips can cause injuries to the hand. Do not use any other driver except that is included with the fixture. Do not connect multiple modules to one driver. Do not open the module and side plate of the remote driver box - no serviceable parts inside.

PRODUCT INFORMATION

Illustrations on the manual are for installation purpose only. It may not be identical to the fixture purchased.

Model No.	Size	Input Voltage	Dimmable	CCT	Dimensions			Cut-Out
					D1	D2	H	Inch
LED-CMDEX-4-3M12-5CCT-CUNV	4"	120-347V @50/60Hz	0-10V, 5-100%	5-CCT Selectable: 27K/30K/35K /40K/50K	3.89"	5.04"	2.35"	4"
LED-CMDEX-6-3M24-5CCT-CUNV	6"				5.79"	7.36"	2.85"	6"
LED-CMDEX-8-3M30-5CCT-CUNV	8"				6.93"	8.66"	3.39"	7"

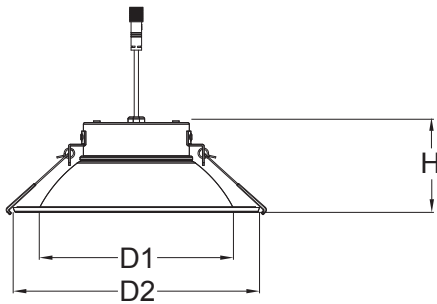


Fig. 1

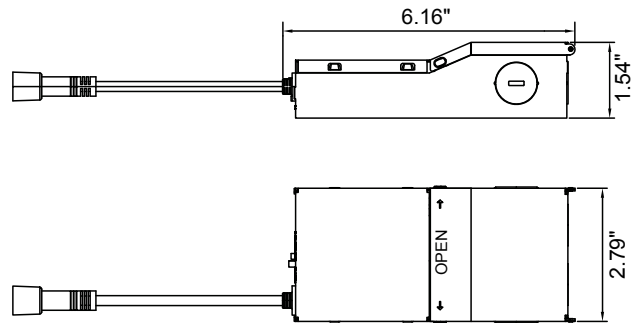


Fig. 2

TOOLS REQUIRED (NOT INCLUDED)



Gloves



Safety goggles



Ladder



Wire
Cutter



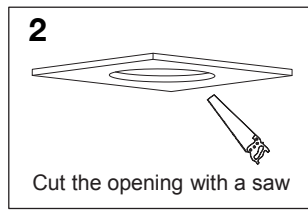
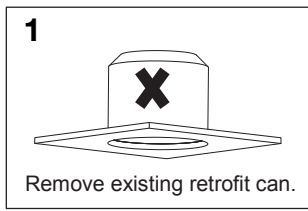
Wire
Stripper

PACKING LIST (1PK)

No.	Description	Qty.
1	LED fixture with Driver J-Box	1 PC
2	Installation Manual	1 PC
3	Ceiling Cut-out Template	1 PC
4	Terminal Connector	3 PC

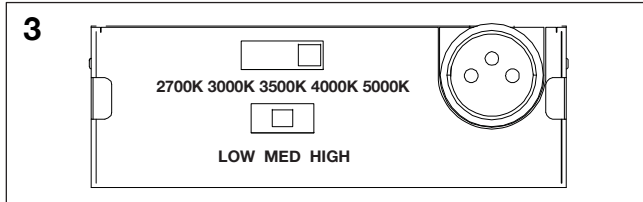
PRODUCT INFORMATION

Note: Before beginning the installation, Make sure all power is off, Shutting power off in breaker box to areas where downlights are to be installed is recommended.

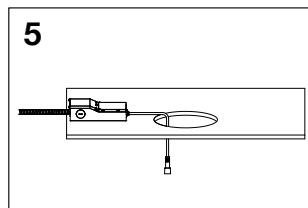
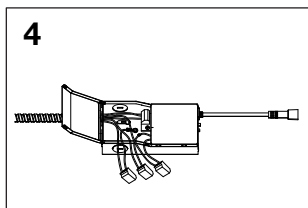


Step 1: Double check and measure the ceiling hole. Make sure it is the correct size for outside rim of the luminaire to cover the hole while still allowing the back of luminaire to sink in to the ceiling and springs to hold firmly.

- A. Remove existing retrofit can if present or move it out of the way since it will not be needed for installation. (Fig. 1)
- B. If new hole is to be cut, use provided hole template. Place template over the desired location. Cut the opening with a saw (not included). (Fig. 2)

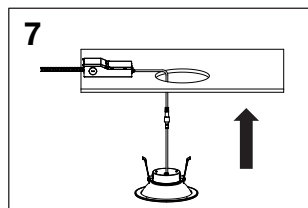
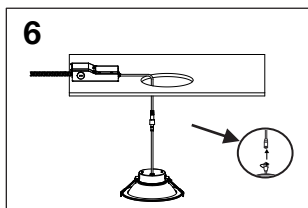


Step 2: Selecting the CCT output by use the outside switch on the J-Box. 2700K, 3000K, 3500K, 4000K, 5000K. (CCT need to be selected before fixture installation) (Fig. 3)



Step 3: Open the cover of the remote driver box. Push and remove one of the knockouts on the side plate. Locate power supply leads from remote driver box and connect to power source using Quick Connectors. Connect black wire to live wire, white wire to neutral wire, and green wire with ground, purple wire to Dim positive, pink wire to Dim negative and secure using quick connector. Close the cover of the box. (Fig. 4)

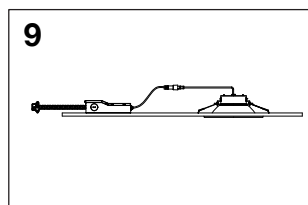
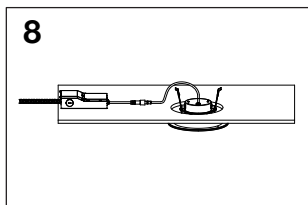
Step 4: Place remote driver box through the cut-out hole (Fig. 5)



Step 5: Connect the remote driver box to the light fixture and tighten the nut connector by hand. Arrow on the male and female parts of the connector between the driver and fixture cable should match. (Fig. 6)

Step 6: Pull the spring clip on the fixture up and through the ceiling hole and place module in the hole making sure the spring clips are holding securely. (Fig. 7 & 8)

Step 7: Finished and Turn the power back on. If the module doesn't illuminate within seconds, turn power off, carefully remove the module and double check all wiring and replace. (Fig. 9)



NOTE: This equipment has been tested and found to comply with the limits for a Class B digital device, pursuant to Part 15 of the FCC Rules. These limits are designed to provide reasonable protection against harmful interference in a residential installation. This equipment generates, uses and can radiate radio frequency energy and, if not installed and used in accordance with the instructions, may cause harmful interference to radio communications. However, there is no guarantee that interference will not occur in a Particular installation. If this equipment does cause harmful interference to radio or television reception, which can be determined by turning the equipment off and on, the user is encouraged to try to correct the interference by one or more of the following measures:

- Reorient or relocate the receiving antenna.
- Increase the separation between the equipment and receiver.
- Connect the equipment into an outlet on a circuit different from that to which the receiver is connected.
- Consult the dealer or an experienced radio/ TV technician for help.

印刷要求：210*297mm/70g双胶纸/正反单色印刷/来料上下再左右对折