

CMD-Line: Commercial Downlights

External Junction Box



4" / 6" / 8"

Detail Specifications:

- Finish: White Smooth Standard
- Black & Clear- Specular Haze Trims Available
- Wet Location Rated
- Beam Angle: 90°
- Chip: SMD 3528, R9 >50, CRI >90
- 5-CCT: 27/30/35/40/50k
- 3 Step MacAdam Ellipses
- Operating Temperature: -40° - 114° F
- Lens: Frosted PC, non-yellowing
- Average life (L70) of 70,000 hours

Applications:

- General Recessed Lighting
- Residential & Multifamily
- Office, Hallways and Meeting Rooms
- Education, Healthcare, Retail, Hospitality
- Commercial Lighting

Product Information:

- Metal housing and trim for better heat dissipation
- SnapTrim Canless: Spring clips with remote j-box eliminates can
- Standard white round trim included: optional trims available
- Deep reflector lens reduces glare and optimizes even beam distribution
- Select-n-Switch Technology: 5-CCT + 3-Power Selectable
- Fixtures are preset to 5000k & max wattage

Driver Options:

- Voltage: CUNV: 120-347V
- Dimming: 0-10V
- Class II isolated
- THD: <20% (+/-5% tolerance), PF >0.9, 50/60Hz
- Built in 2.5Kv Surge Protector
- Flicker Free

Mounting & Installation:

- Cut Out Dimensions:
 - 4": 4"
 - 6": 6"
 - 8": 7"
- Optional new construction plate available
- This fixture does not fit into a recessed can
- No housing needed in remodel applications, tension clips mount into 1/2" to 1.5" thick ceiling
- Can be removed from below the ceiling for service or replacement
- Pre-wired junction box with circuit wiring built in (3 in / 3 out)

Certifications:

- ETL Listed for USA and CA
- Energy Star Certified
- CA Title 24 JA8-2022 CEC Listed
- 5 Year Limited Warranty
- FCC CFR 47, GCC Part 15, Subpart B:2017
- IC Rated
- ASTM-E283 Air-Tight
- Complies with UL 263, ASTM E119, CAN ULC S101

| Series | Emergency |
|--|------------------|
| LED-CMDEX-4-3M12-5CCT-CUNV 4" • 12/9/6W • 1100/900/650LM | Blank None |
| LED-CMDEX-6-3M24-5CCT-CUNV 6" • 24/16/12w • 1950/1500/1100LM | EMB Emergency |
| LED-CMDEX-8-3M30-5CCT-CUNV 8" • 30/22/16w • 2500/2000/1500LM | Backup |

1. HV: Step down transformer into 4" j-box

Optional Accessories (Order Separately)

| Trim Options | Goof Ring | New Construction Plates | Emergency Backup ¹ (Field Install) | Extension Cables (Remote mount driver) |
|--|----------------------------------|--|---|--|
| CMDEX-TRIM-4-CSH-WH 4" Clear-Specular Haze Reflector | GR-4-WH 4-8" Width | CUNV-NC-ICAT-7H Universal plate w/ hanging bars | LED-EMB-8W-HV -0/10V-2P 8W Emergency Backup | EXT-10FT 10ft. |
| CMDEX-TRIM-4-BLK 4" Black Reflector | GR-6-WH 6.3-10" Width | CUNV-JBX-RI-XL Universal tough in plate. Extra long. | LED-EMB-15W-HV -0/10V-2P 15W Emergency Backup | EXT-20FT 20ft. |
| CMDEX-TRIM-6-CSH-WH 6" Clear-Specular Haze Reflector | GR-8-WH 8-12.5" Width | | | |
| CMDEX-TRIM-6-BLK 6" Black Reflector | GR-10-WH 9-14.1" Width | | | |
| CMDEX-TRIM-8-CSH-WH 8" Clear-Specular Haze Reflector | | | | |
| CMDEX-TRIM-8-BLK 8" Black Reflector | | | | |

1. Field installable. Lasts 90 minute

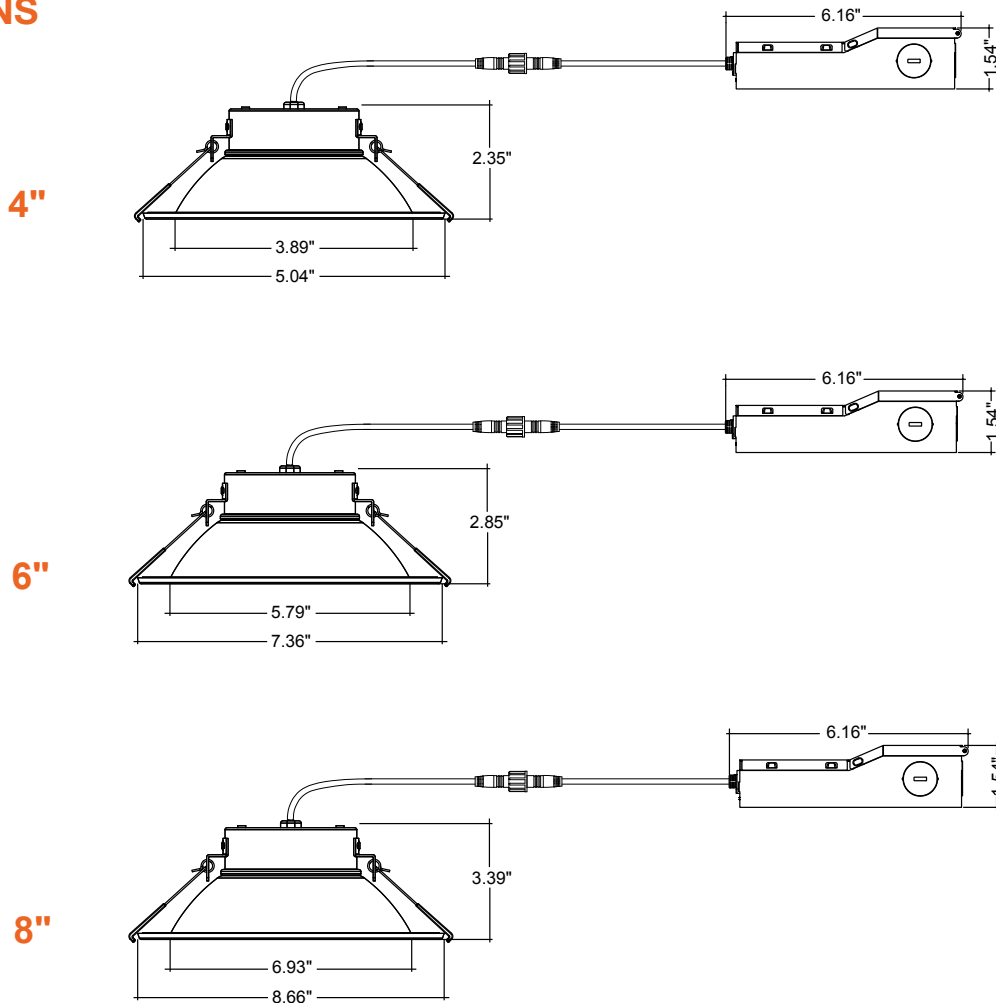
CMD-Line: Commercial Downlights

External Junction Box

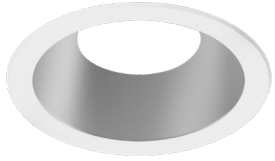
FEATURES



DIMENSIONS

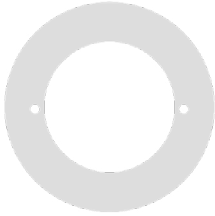


ACCESSORIES

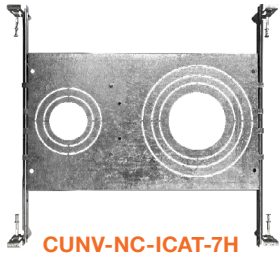


CMDEX-TRIM-4-CSH-WH
CMDEX-TRIM-6-CSH-WH
CMDEX-TRIM-8-CSH-WH

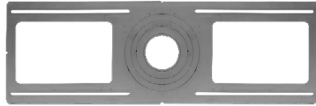
CMDEX-TRIM-4-BLK
CMDEX-TRIM-6-BLK
CMDEX-TRIM-8-BLK



GR-4-WH
GR-6-WH
GR-8-WH
GR-10-WH



CUNV-NC-ICAT-7H
13 7/8" x 15 1/8"



CUNV-JBX-RI-XL
7" x 26"



LED-EMB-8W-HV-0/10V-2P
LED-EMB-15W-HV-0/10V-2P



EXT
10' / 20' Extension Cable

| Model | Voltage | Watts | Lumens | Color | CRI |
|----------------------------|----------|-----------|-------------------|-----------------|-----|
| LED-CMDEX-4-3M12-5CCT-CUNV | 120-347V | 12/9/6w | 1,100/900/650 | 27/30/35/40/50k | >90 |
| LED-CMDEX-6-3M24-5CCT-CUNV | 120-347V | 24/16/12w | 1,950/1,500/1,100 | 27/30/35/40/50k | >90 |
| LED-CMDEX-8-3M30-5CCT-CUNV | 120-347V | 30/22/16w | 2,500/2,000/1,500 | 27/30/35/40/50k | >90 |

TRIMS

| Accessory | Description |
|---------------------|---|
| CMDEX-TRIM-4-CSH-WH | 4" CMDEX: Clear-Specular Haze Reflector |
| CMDEX-TRIM-4-BLK | 4" CMDEX: Black Reflector |
| CMDEX-TRIM-6-CSH-WH | 6" CMDEX: Clear-Specular Haze Reflector |
| CMDEX-TRIM-6-BLK | 6" CMDEX: Black Reflector |
| CMDEX-TRIM-8-CSH-WH | 8" CMDEX: Clear-Specular Haze Reflector |
| CMDEX-TRIM-8-BLK | 8" CMDEX: Black Reflector |

GOOF RINGS

| Accessory Model | Description |
|-----------------|--|
| GR-4-WH | 4" Goof Ring, Inner Dim: 4.9" Outer Dim: 6.5" |
| GR-6-WH | 6" Goof Ring, Inner Dim: 6.3" Outer Dim: 10.5" |
| GR-8-WH | 8" Goof Ring, Inner Dim: 8" Outer Dim: 12.5" |
| GR-10-WH | 10" Goof Ring, Inner Dim: 9" Outer Dim: 14.1" |

NEW CONSTRUCTION PLATES

| Accessory Model | Description |
|-----------------|---------------------------------------|
| CUNV-NC-ICAT-7H | Universal plate w/ hanging bar |
| CUNV-JBX-RI-XL | Universal tough in plate. Extra long. |

EMERGENCY BACKUP

| Accessory Model | Description |
|-------------------------|----------------------|
| LED-EMB-8W-HV-0/10V-2P | 8W Emergency Backup |
| LED-EMB-15W-HV-0/10V-2P | 15W Emergency Backup |

EXTENSION CABLE

| Accessory | Description |
|-----------|---------------------|
| EXT-10' | 10" Extension Cable |
| EXT-20' | 20" Extension Cable |

TESTED COMPATIBLE DIMMERS

Other dimmers may be compatible but have not been tested. Please contact us for more information.

| Leviton | Synergy | Eaton | Lutron | Hubbell |
|-----------|-------------------|---------|----------|---------|
| IP710-DLZ | ISD BC 120/277 WH | SF10P-W | DVSTV-WH | PSD710 |
| | | | | RSD710Z |