
LED Corn Light Instructions



Cannot use an electric generator to test the LED lamp. Please avoid using the LED fixture in an environment where there is smoke, sulfur and corrosive substances. If used in such environment, make sure the LED fixture is well protected by an enclosed lampshade where the dimension is no less than below size and whose material is either glass or semi-glass, semi-metallic. Surface of the lampshade shall not have any covering which prevents heat dissipation.

FEATURES

- CCT Adjustable mode 12-120W are designed with 3000/4000/5000K
- Two dimming options are available for the CCT adjustable mode 27-120W, continuous dimming or segmented dimming.
- Can be with clear or frosted PC cover.
- Lamp can be with AC100-277V internal driver
- Motion sensor or PIR sensor are optional for the CCT adjustable mode 80-120W
- Long lifespan and great heat dissipation.
- Direct replacement for metal halide, easy installation
- Fits many different fixtures to replace traditional lamps
- Widely used in supermarkets, warehouse, garage, home, office, hotel, hospital, school, street, garden, etc.

Installation Instructions

Warning: Please make sure the power is off before installation

1. Turn off the power switch.
2. Screw off the CFL or MHL or HPS and so on, see (Figure 5 & 6).
3. Take out led corn light and screw on, see (Figure 1, 2, 3 & 4).
(Figure 1, 2, 3 & 4): AC internal driver,
(Note: Pls make sure to take off the ballast before installing led corn light, otherwise the ballast will produce the resonance of high voltage and makes led corn light breakdown.)
4. If security rope provided, pls fix the rope on the lamp with hand, then fix the wire of other end on the shell, see Figure (2) (4).
5. Lamp CCT and dimming can be adjusted after removing the top plastic cover with a screwdriver.
(Figure 5 & 8)
6. Turn on the power switch.

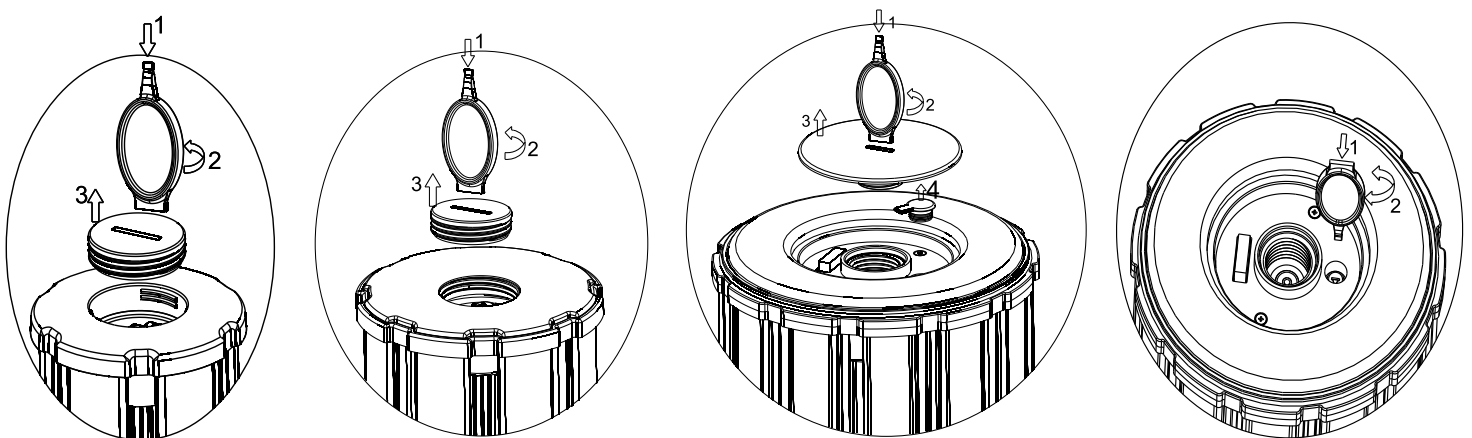
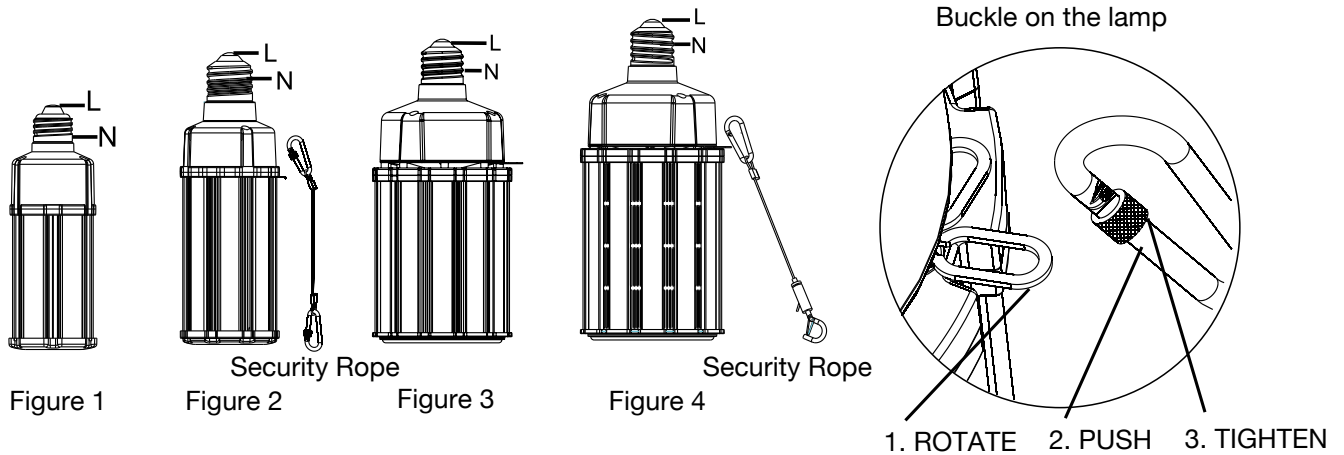


Figure 5

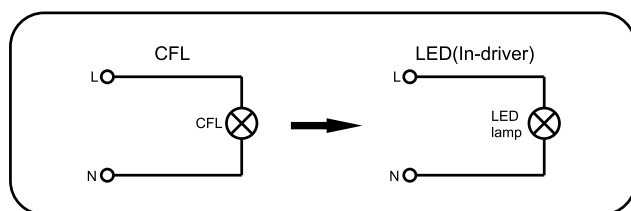


Figure 6

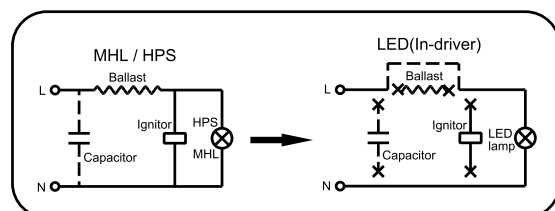
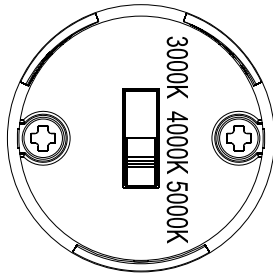


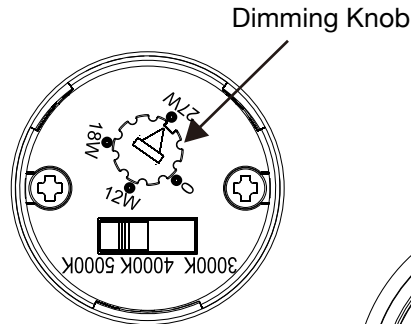
Figure 7

CCT adjustable and dimming mode diagram

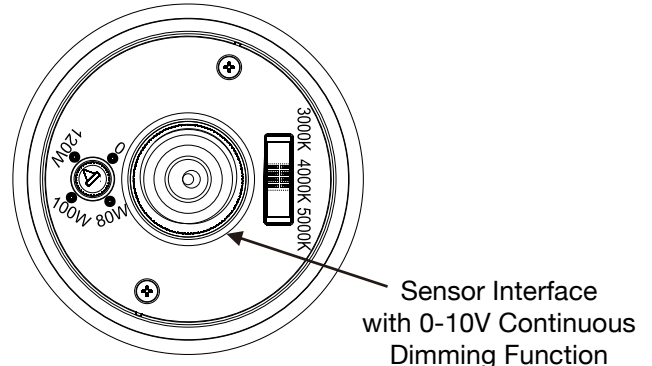
1. Continuous dimming



3-CCT Adjustable
12-18W



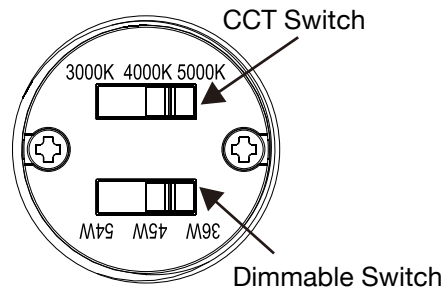
3-CCT Adjustable
27-63W



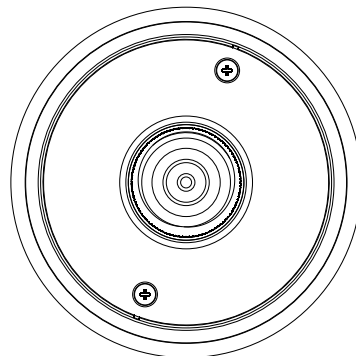
3-CCT Adjustable
80-120W

2. Segmented Dimming

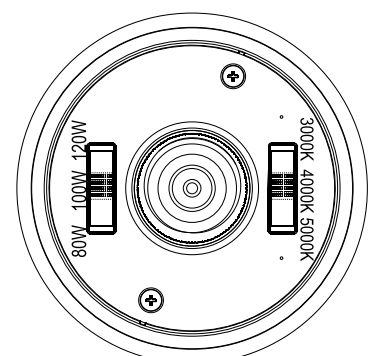
Watt	Dimming Mode
27W	12W / 18W / 27W
36W	18W / 27W / 36W
45W	27W / 36W / 45W
54W	36W / 45W / 54W
63W	36W / 54W / 63W
80W	54W / 63W / 80W
100W	63W / 80W / 100W
120W	80W / 100W / 120W



3-CCT Adjustable
27-63W



Single CCT Sensor Model
80-120W



3-CCT Adjustable
80-120W

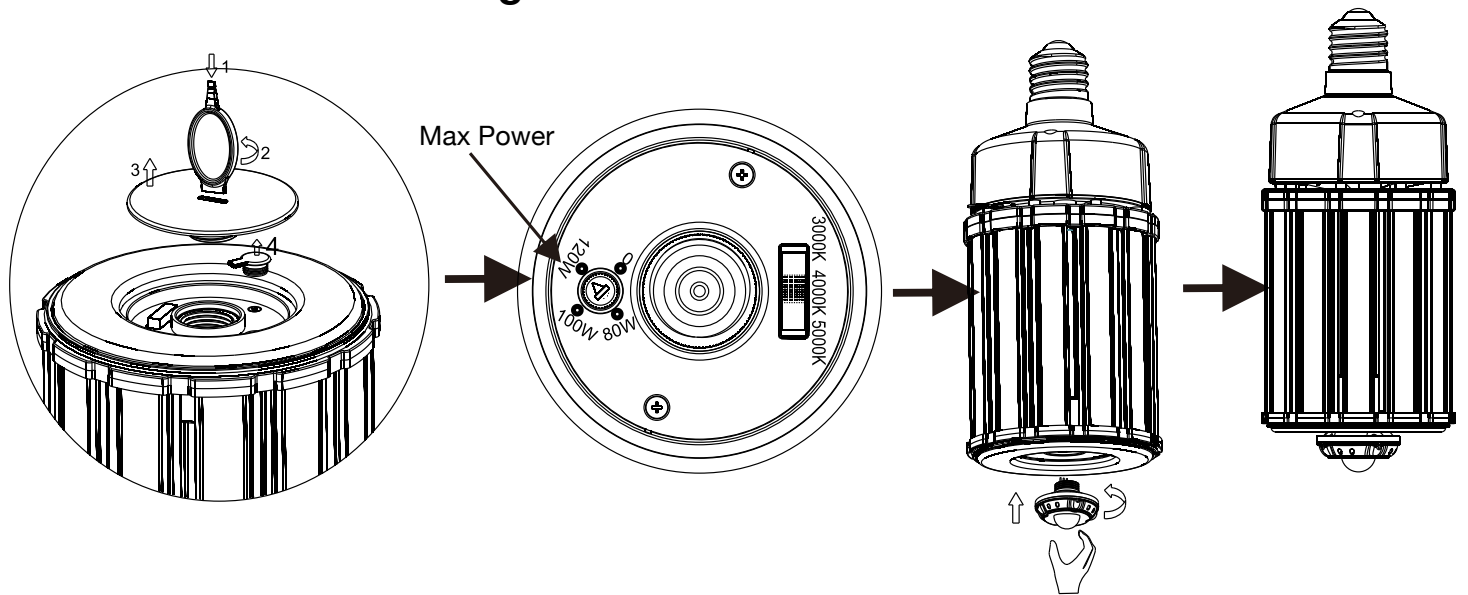
Figure 8

Installation of motion sensor or PIR sensor

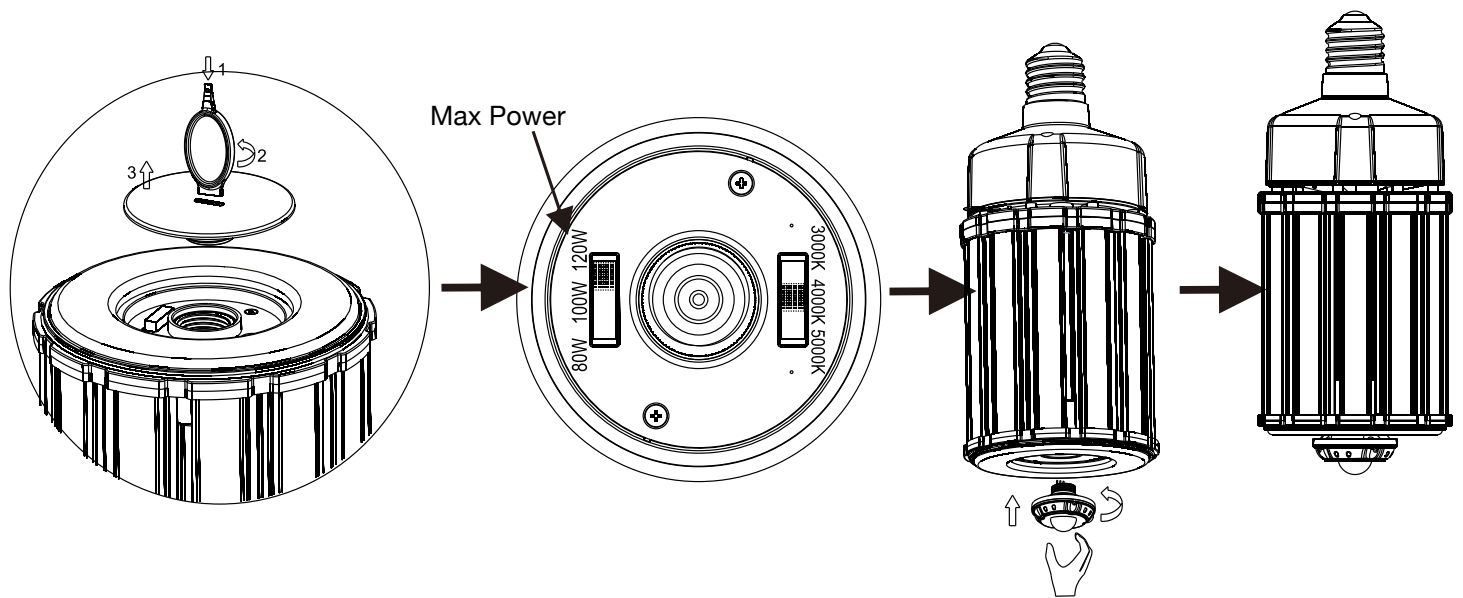
It could be easily installed by using a straight screwdriver. Use a flat-blade screwdriver to unscrew the plug and remove the plug. And then, adjust the lamp power to the maximum (otherwise the sensor will act abnormally). install motion sensor or PIR sensor and tighten it.

Note: the motion sensor has no dialing code, and a remote control is needed for adjustment. Please refer to the instruction for remote control adjustment.

1. Continuous dimming



2. Segmented dimming



WARNING

WARNING - Risk of fire or electric shock. LED Retrofit Kit installation requires knowledge of luminaires electrical systems. If not qualified, do not attempt installation. Contact a qualified electrician.

WARNING - Risk of fire or electric shock. Install this kit only in the luminaires that have the construction features and dimensions shown in the photographs and/or drawings and where the input rating of the retrofit kit does not exceed the input rating of the luminaire.

WARNING - To prevent wiring damage or abrasion, do not expose wiring to edges of sheet metal or other sharp objects. Do not make or alter any open holes in an enclosure of wiring or electrical components during kit installation.

THE RETROFIT KIT IS ACCEPTED AS A COMPONENT OF A LUMINAIRE WHERE THE SUITABILITY OF THE COMBINATION SHALL BE DETERMINED BY AUTHORITIES HAVING JURISDICTION. PRODUCT MUST BE INSTALLED BY A QUALIFIED ELECTRICIAN IN ACCORDANCE WITH THE APPLICABLE AND APPROPRIATE ELECTRICAL CODES. THE INSTALLATION GUIDE DOES NOT SUPERSEDE LOCAL OR NATIONAL REGULATIONS FOR ELECTRICAL INSTALLATIONS SUITABLE FOR DAMP LOCATIONS. ADDED WEIGHT OF THE DEVICE MAY CAUSE INSTABILITY OF A FREE STANDING PORTABLE LUMINAIRE. USE ONLY WITH A PORTABLE TABLE LAMP THAT IS PROVIDED WITH A SHADE. USE IN PORTABLE TABLE LAMPS IN WHICH THE DISTANCE FROM THE BOTTOM OF THE BASE TO THE TOP OF THE LAMP HOLDER DOES NOT EXCEED THREE (3) TIMES THE MINIMUM BASE DIAMETER. THIS DEVICE IS NOT INTENDED FOR USE WITH EMERGENCY EXITS" or "NOT FOR EMERGENCY LIGHTING.

Rated Wattage	Minimum Lamp Compartment Dimensions (Inch) H X L X W
54W	16.5 X 8.3 X 8.3
80W	16.5 X 9.1 X 9.1
120W	17.3 X 10.2 X 10.2