

LED-CRNDL Installation Instructions



Do not use any electric generator to test the LED lamp. Please avoid using the led lamp in environment where there is smoke, sulfur, and corrosive substances. But if it's used in such environment, make sure the led lamp is well protected by an enclosed lampshade with dimension no less than below size, and materials made up of glass, semi-glass, or semi-metallic. There should be no covering on the surface of the lampshade to block heat dissipation.

POWER (W)	18	27	36	45	54
DIMENSIONS	12.6" x 7.5" x 7.5"	13.4" x 7.9" x 7.9"	15" x 7.9" x 7.9"	16" x 7.9" x 7.9"	16.5" x 3" x 3"
POWER (W)	75	95	110		
Volume (CM)	16.5" x 9" x 9"	17.3" x 9.4" x 9.4"	17.3" x 10" x 10"		

PRODUCT FEATURES

- 3000K/ 4000K/5000K 3-CCT adjustable.
- Can be with Clear or frosted PC cover.
- Aluminum heatsink, no fan design.
- Segmented dimming options is available.
- Sealant pouring for whole drive and lamp plastic housing.
- Internal driver, input voltage AC120-277V, 0-10V dimming.
- Long lifespan and good heat dissipation.
- Direct replacement for Metal Halide, easy Installation.
- Fits many different fixtures, quick replacement of traditional lamps.
- Operating ambient temperature can up to 122°F.
- Lamp base can be rotatable to make sure the luminous direction for led area lamp is consistent with the outside fixture.

APPLICATIONS

- LED area lamp make it simple to replace: Parking Lot Lighting, Shoebox Lighting, Street Lighting, Flood Lighting, Wall Pack Lighting and Canopy Lighting etc.



INSTALLATION INSTRUCTIONS

WARNING: Please make sure the power is OFF before installation

1. Turn off the power.
2. Remove the original lamps like CFL, MHL, or HPS, etc., see Figure (1)(2).
3. Take out the led area lamp and screw it on. After the led area lamp is well tightened, adjust the lamp base slightly to make sure its luminous direction is consistent with the outside fixture, see Figure(3). Figure(4): AC internal driver, (Note: Pls make sure to take off the ballast before installing led area lamp, otherwise the ballast will produce the resonance of high voltage and makes led area lamp breakdown.)
4. If security rope is provided, pls fix the rope on the lamp with hand, then fix the wire of other end on the shell. There is a support rod for the 75W/95W/110W led lamp, the stretching and retracting operations of the support rod are shown in (Figure 5).
5. Lamp CCT and dimming can be adjusted after removing the plastic cover by hand (Figure 6).
6. Turn on the power. (Installation finished!)

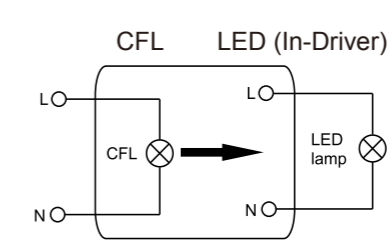


Figure 1

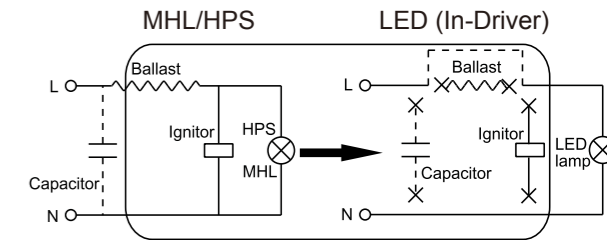


Figure 2

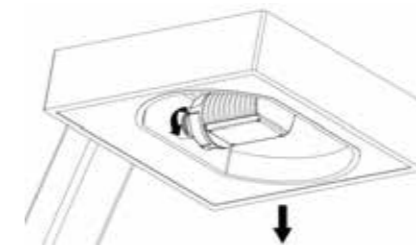


Figure 3

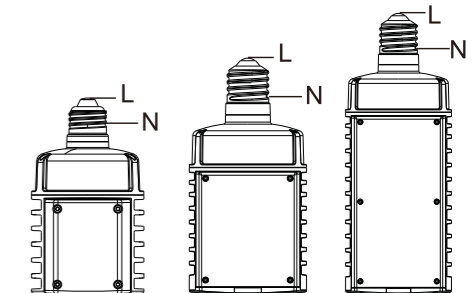


Figure 4

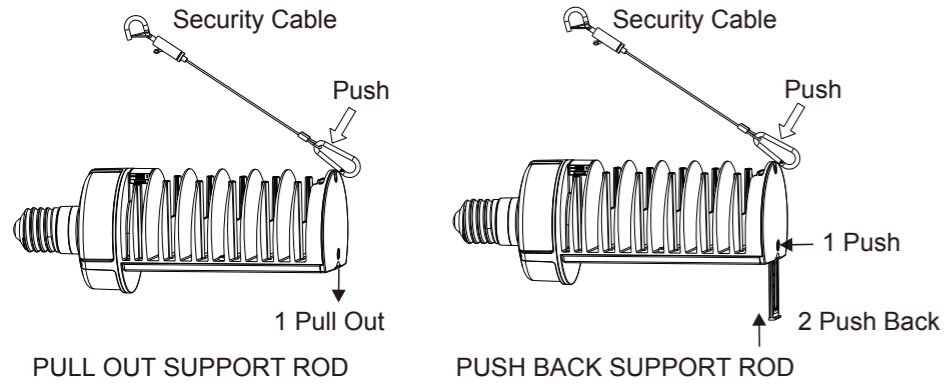
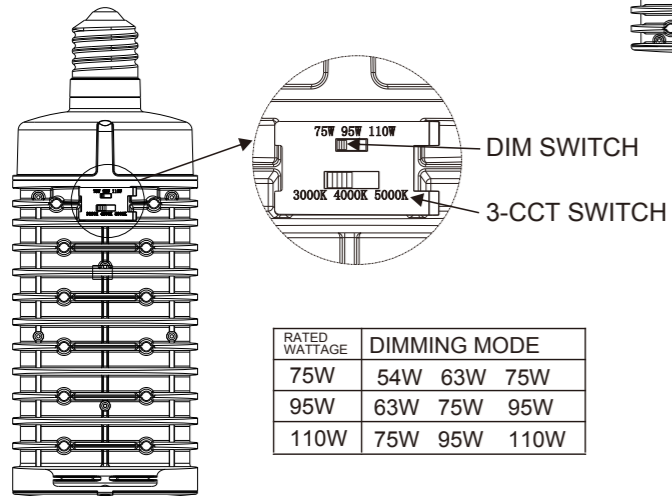
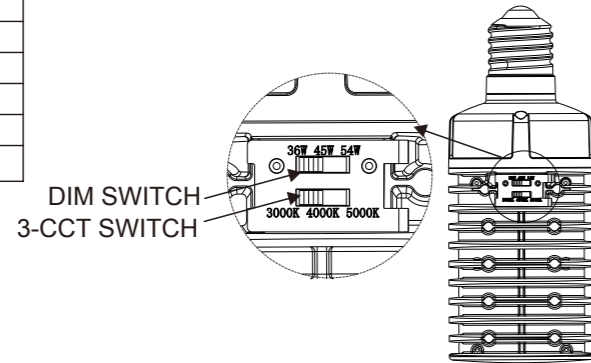


Figure 5

WARNING:
 THIS DEVICE IS NOT INTENDED FOR USE WITH EMERGENCY EXITS
 ADDED WEIGHT OF THE DEVICE MAY CAUSE INSTABILITY OF A
 FREE-STANDING PORTABLE LUMINAIRE
 USE ONLY WITH A PORTABLE TABLE LUMINAIRE THAT IS PROVIDED
 WITH A SHADE.

1. SEGMENTED DIMMING

RATED WATTAGE	DIMMING MODE		
18W	9W	14W	18W
27W	12W	18W	27W
36W	18W	27W	36W
45W	27W	36W	45W
54W	36W	45W	54W



RATED WATTAGE	DIMMING MODE		
75W	54W	63W	75W
95W	63W	75W	95W
110W	75W	95W	110W

Figure 6