



# Directional Corn Bulbs

## 3-CCT & 3-Power Selectable

The EnVision LED directional HID replacement lamp allows the end user to retrofit existing shoebox housings. The lamp includes an internal driver with a 6kV surge protector inside. Enjoy our latest upgraded models with 3-CCT & 3-Power technology.

### Detail Specifications:

- IP Rating: IP64 Wet Location
- Beam Angle: 120°
- Base: EX39
- 3-CCT: 30/40/50K
- Chip: SMD 2835, R9 >50, CRI >80
- Operating Temperature: -40° - 122° F
- Average life (L70) of 50,000 hours

### Applications:

- Outdoor Lighting
- HID Lamp Replacement
- Shoebox & Area Light
- Outdoor Pole & Arm Mount Fixtures
- Residential, Commercial and Industrial

### Product Information:

- Aluminum housing for heat dissipation
- Suitable for use in existing fixtures
  - Ballast bypass required
- Connect directly to 120-277V power
- Instant-On to full brightness

### Driver Options:

- 120-277V
- 0-10V Dimmable
- THD: <20% (+/-5% tolerance), PF >0.9, 50/60Hz

### Mounting & Installation:

- EX39 socket
- Ballast bypass required

### Certifications:

- UL Listed for USA and CA
- 5 Year Limited Warranty
- FCC CFR 47, GCC Part 15, Subpart B:2017



3P54



3P110

3P54

WATT	LUMENS
36	4,320
45	5,400
54	6,480

3P110

WATT	LUMENS
75	9,000
95	11,400
110	13,200

### Series

**LED-CRNDL-3P54-TRI-EX39**

54/45/36w

**LED-CRNDL-3P110-TRI-EX39**

115/95/75w

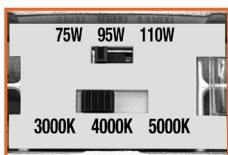
# LED Corn Bulbs

## 3-CCT & 3-Power Selectable

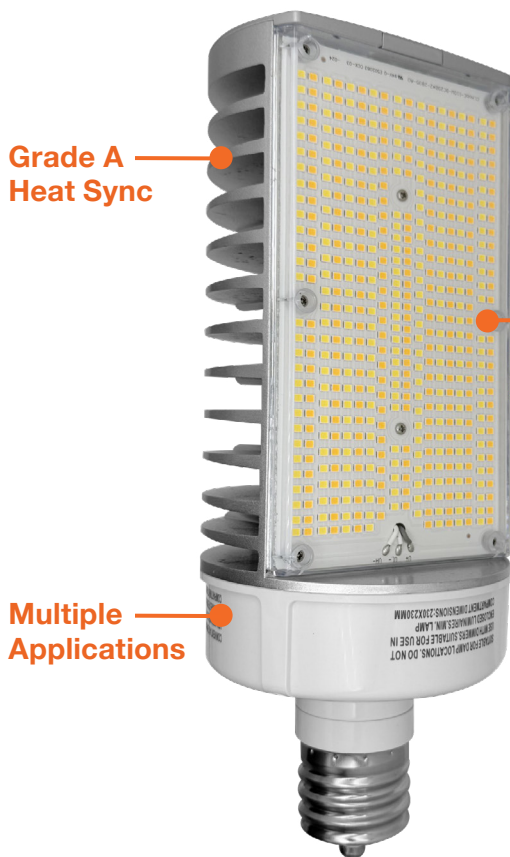
### FEATURES



Push Back Support Rod



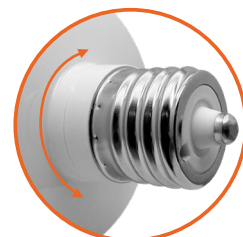
3-Watt and 3-CCT Selectable



Grade A Heat Sync

High Quality LED Chips

Multiple Applications

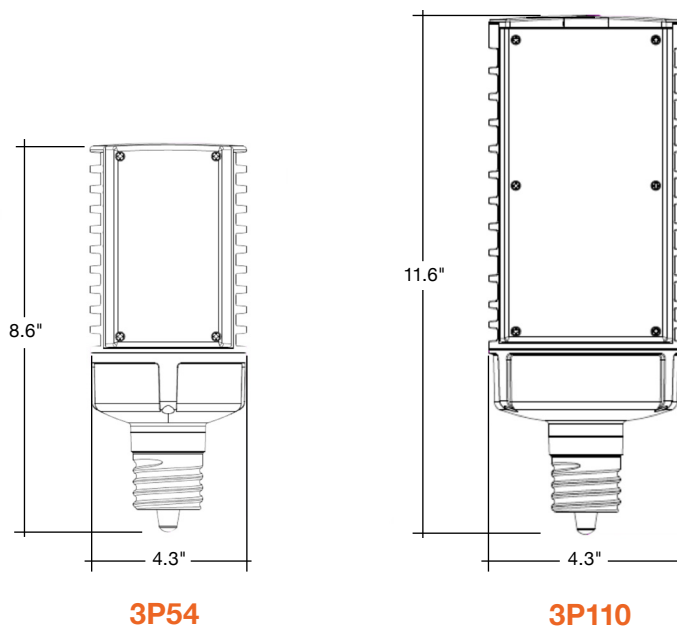


320° Rotate Base



EX39 Base

### DIMENSIONS



Specs and model numbers are subject to change with or without notice.