



4" & 6" Adjustable Retrofit Downlights

5-CCT Selectable



Detail Specifications:

- Finish: White or Black
- Wet Location Rated
- 5-CCT Selectable: 27/30/35/40/50K
- Beam Angle: 40°
- Chip: SMD 2835, R9 >50, CRI >90
- 3 Step MacAdam Ellipses
- Operating Temperature: -40° - 114° F
- Lens: Frosted acrylic, non-yellowing
- Average life (L70) of 50,000 hours

Applications:

- General Recessed Lighting
- Residential & Multifamily
- Office and Meeting Rooms
- Education, Healthcare, Retail, Hospitality

Product Information:

- Fixture includes orange led quick connect and E26 base adapter
- Angle tilts down to 60° and rotates 360°
- Ideal for use in both remodel and new construction applications
- Die-cast aluminum housing and trim for better heat dissipation
- Select-n-Switch Technology: 5-CCT + 3-Power Selectable

Driver Options:

- 120V Triac Dimmable down to 5%
- Built in 2.5Kv Surge Protector
- Flicker Free

Mounting & Installation:

- 4": Tension clip springs fit into most 4" compatible recessed cans
- 6": Springs clips fit into most 5 & 6" compatible recessed cans
- 6": Optional tension clip available for use in old housings
- Retrofit into existing housing with E26 socket
- Can be removed from below the ceiling for service or replacement

Certifications:

- ETL Listed for USA and CA
- Energy Star Certified
- CA Title 24 JA8-2022 CEC Listed
- Meets LM-79 & LM-80 Standards
- FCC CFR 47, GCC Part 15, Subpart B:2017
- IC Rated and ASTM-E283 Air-Tight
- Complies with UL 263, ASTM E119, CAN ULC S101
- 5 Year Limited Warranty

Series

- LED-DL-ADJ-4-10W-5CCT-WH**
 10W • 750Lm • White Finish
LED-DL-ADJ-4-10W-5CCT-BLK
 10W • 750Lm • Black Finish
LED-DL-ADJ-5/6-16.5W-5CCT-WH
 16.5W • 1200Lm • White Finish
LED-DL-ADJ-5/6-16.5W-5CCT-BLK
 16.5W • 1200Lm • Black Finish

Optional Accessories (Order Separately)

Housing & Cans

- C4-NC-ICAT-LED**
 4" IC Rated Can:
 New Construction
C4-RM-ICAT-LED
 4" IC Rated Can: Retrofit
C6-NC-ICAT-LED
 6" IC Rated Can:
 New Construction
C6-RM-ICAT-LED
 6" IC Rated Can: Retrofit

Fire Rated Housings & Cans

- C4-NC-ICAT-LED-FR**
 4" IC Rated Can: New Construction
C6-NC-ICAT-LED-FR
 6" IC Rated Can: New Construction

Emergency Backup 1 (Field Install)

- LED-EMB-25W**
-HV-0/10V-2P
 Up to 24W fixtures

1. Field installable.
 Lasts 90 minutes.

4" & 6" Adjustable Retrofit Downlights

5-CCT Selectable

FEATURES

Spring Clips

5-CCT
Selectable

2700K
3000K
3500K
4000K
5000K

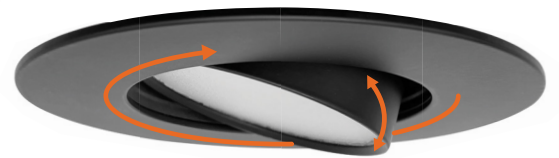
4" Clips



Dimmable

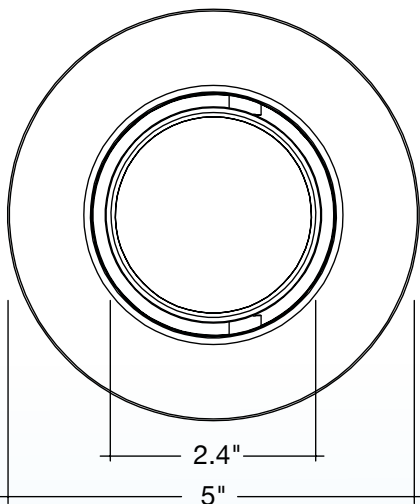
360° Rotation

60° Tilt

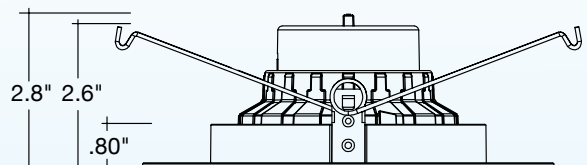
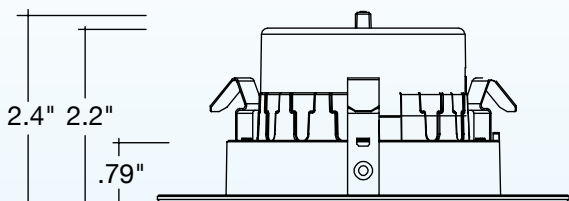
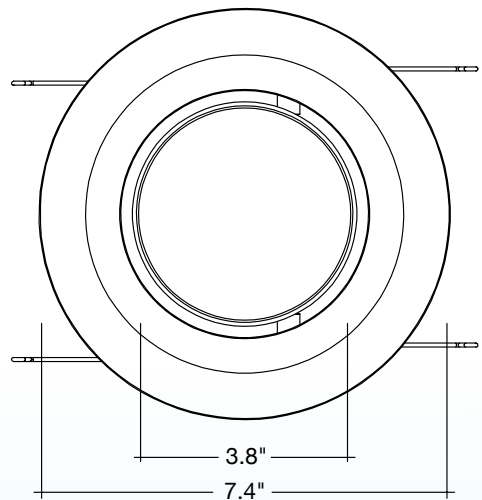


DIMENSIONS

4"



5"/6"



Specs and model numbers are subject to change with or without notice.

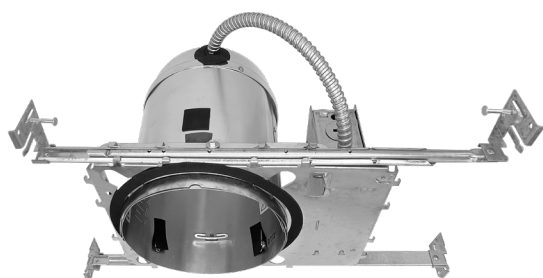
4" & 6" Adjustable Retrofit Downlights

5-CCT Selectable

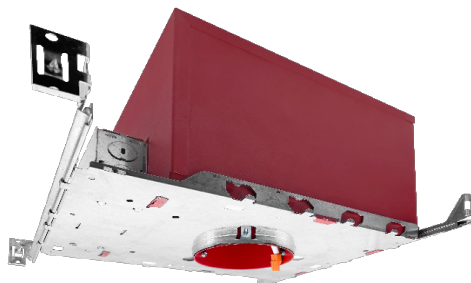
ACCESSORIES



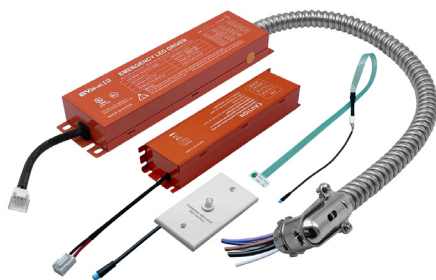
C4-RM-ICAT-LED
C6-RM-ICAT-LED



C4-NC-ICAT-LED
C6-NC-ICAT-LED



C4-NC-ICAT-LED-FR
C6-NC-ICAT-LED-FR



LED-EMB-25W-HV-0/10V-2P

Model	Voltage	Watts	Lumens	Color	CRI
LED-DL-ADJ-4-10W-5CCT-WH	120V	10w	750	27/30/35/40/50K	>90
LED-DL-ADJ-4-10W-5CCT-BLK	120V	10w	750	27/30/35/40/50K	>90
LED-DL-ADJ-5/6-16.5W-5CCT-WH	120V	16.5w	1200	27/30/35/40/50K	>90
LED-DL-ADJ-5/6-16.5W-5CCT-BLK	120V	16.5w	1200	27/30/35/40/50K	>90

HOUSING & CANS

Model	Voltage	Description
C4-NC-ICAT-LED	120-277V	4" IC Rated Can (New Construction)
C4-RM-ICAT-LED	120-277V	4" IC Rated Can (Remodel)
C6-NC-ICAT-LED	120-277V	6" IC Rated Can (New Construction)
C6-RM-ICAT-LED	120-277V	6" IC Rated Can (Remodel)

FIRE RATED HOUSING & CANS

Model	Voltage	Description
C4-NC-ICAT-LED-FR	120-277V	4" Fire Rated IC Can (New Construction)
C6-NC-ICAT-LED-FR	120-277V	6" Fire Rated IC Can (New Construction)

BATTERY BACK-UP

Accessory	Description
LED-EMB-25W-HV-0/10V-2P	Up to 24W fixtures

TESTED COMPATIBLE DIMMERS

Other dimmers may be compatible but have not been tested. Please contact us for more information.

Lutron	Leviton
TG-600PR-WH	6672
S-600PR-WH	6674
CTCL-153PDH-WH	DSL06
SLV-600P-AL	PD-6WCL
DV-600PR-WH	MACL-153M/MA-R
SCL-153PH-WH	
GT-600P	
DVCL-153P	
RNL06	
MSCL-OP153M	
IPL06	