

Project: _____ Part #: _____
Type: _____

4" 12V Round Retrofit Downlight

5-CCT Selectable

Canless Downlights



Detail Specifications:

- Finish: White Smooth Standard
- Wet Location Rated
- Wattage: 10W
- Lumens: 600
- 5-CCT Selectable: 27/30/35/40/50K
- Beam Angle: 100°
- Chip: SMD 2835, R9 >50, CRI >90
- Operating Temperature: -40° - 114° F
- Lens: Frosted acrylic, non-yellowing
- Average life (L70) of 50,000 hours

Applications:

- General Recessed Lighting
- Residential & Multifamily
- Office and Meeting Rooms
- Education, Healthcare, Retail, Hospitality

Product Information:

- Fixture includes 2-pin GU5.3 MR-16 Socket
- Ideal for retrofitting low voltage housings
- Di-cast aluminum housing and trim for better heat dissipation
- Select-n-Switch Technology: 5-CCT + 3-Power Selectable

Driver Options:

- 120V Triac Dimmable down to 5%
 - Ensure magnetic or electronic transformer is dimmable
- Built in 2.5Kv Surge Protector
- Flicker Free

Mounting & Installation:

- 4": Tension clip springs fit into most 4" compatible recessed cans
- Retrofit into existing housing with MR-16 bulb
- Can be removed from below the ceiling for service or replacement

Certifications:

- ETL Listed for USA and CA
- FCC CFR 47, GCC Part 15, Subpart B:2017
- IC Rated and ASTM-E283 Air-Tight
- 5 Year Limited Warranty

Series

LED-EDL-4-10W-5CCT-WH-12V

10W | 600Lm

Specs and model numbers are subject to change with or without notice.

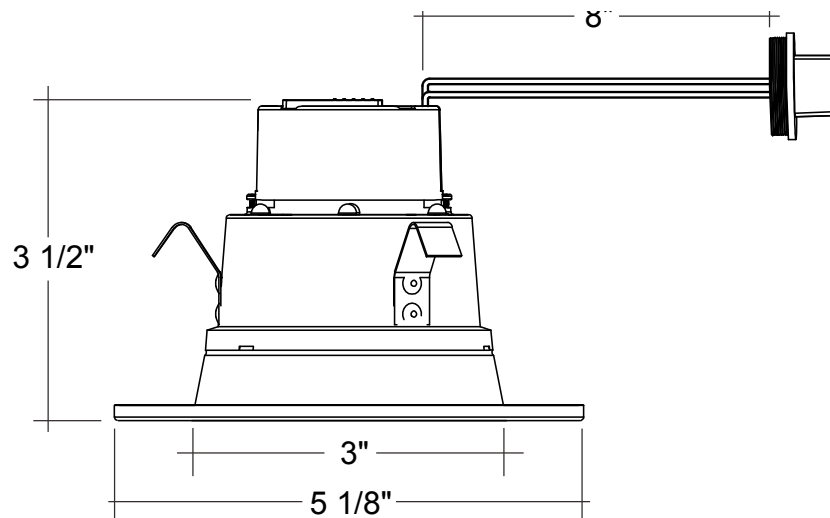
4" 12V Round Retrofit Downlight

5-CCT Selectable

FEATURES



DIMENSIONS



Specs and model numbers are subject to change with or without notice.

4" 12V Round Retrofit Downlight

5-CCT Selectable

TESTED COMPATIBLE DIMMERS

Other dimmers may be compatible but have not been tested.
Please contact us for more information.

TRIAC/ELV Dimmers

Lutron	Leviton
TG-600PR-WH	6672
S-600PR-WH	6674
CTCL-153PDH-WH	DSL06
SLV-600P-AL	PD-6WCL
DV-600PR-WH	MACL-153M//MA-R
SCL-153PH-WH	
GT-600P	
DVCL-153P	
RNL06	
MSCL-OP153M	
IPL06	