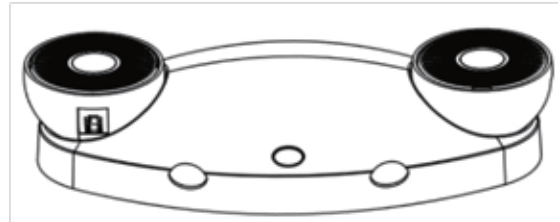

LED EMERGENCY REMOTE HEAD

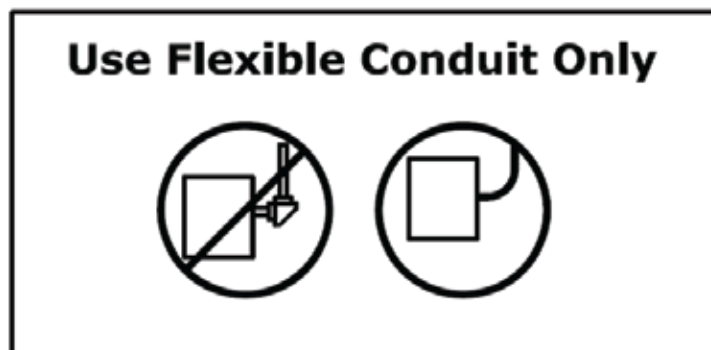
Package Contents

LED-EM-DHC		
Part	Description	Quantity
1	Emergency Lighting	1
2	Hardware Kit	1



IMPORTANT SAFEGUARDS READ AND FOLLOW ALL SAFETY INSTRUCTIONS

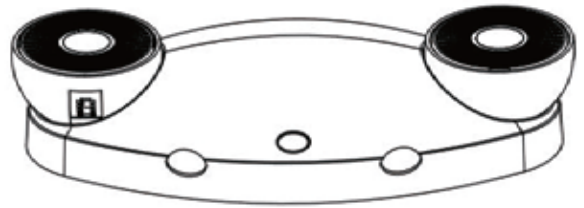
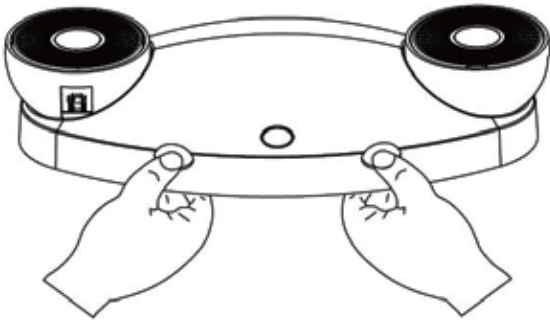
1. Review the diagrams thoroughly before beginning.
2. All electrical connections must be in accordance with local codes, ordinances and the National Electric code.
3. Disconnect power at fuse or circuit breaker before installing or servicing.
4. Do not use outdoors.
5. Do not mount in hazardous locations, or near gas or electric heaters.
6. Do not let power cords touch hot surface.
7. Equipment should be mounted in locations and at heights where it will not be subjected to tampering by unauthorized personnel.
8. The use of accessory equipment not recommend by the manufacturer may cause an unsafe condition.
9. Do not use this equipment for other than intended use.
10. All servicing should be performed by qualified personnel only.
11. Allow battery to charge for 24 hours before first use.
12. For connection to a sinhle source of supply such that all lamps are simultaneously illuminated.



NOTE: First turn off electricity

Wall Mounting (Max. mount height: 15.6ft.)

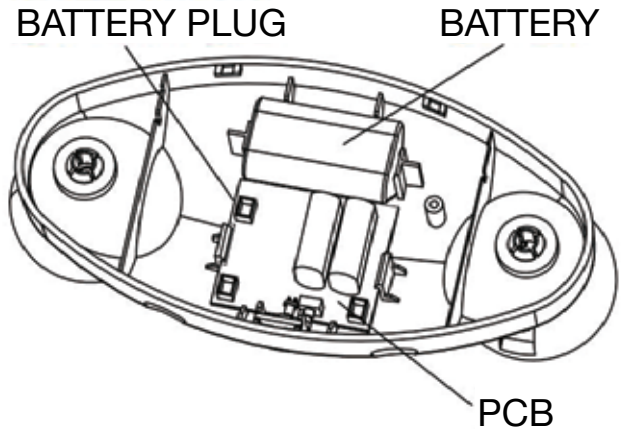
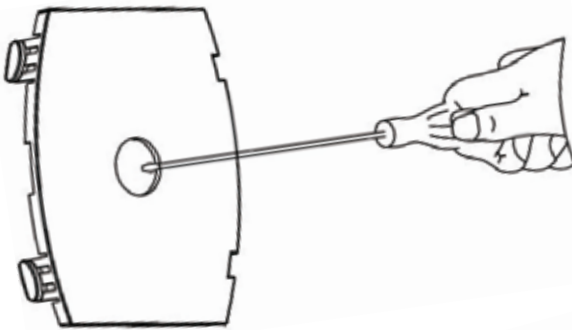
1. Remove mounting plate from fixture



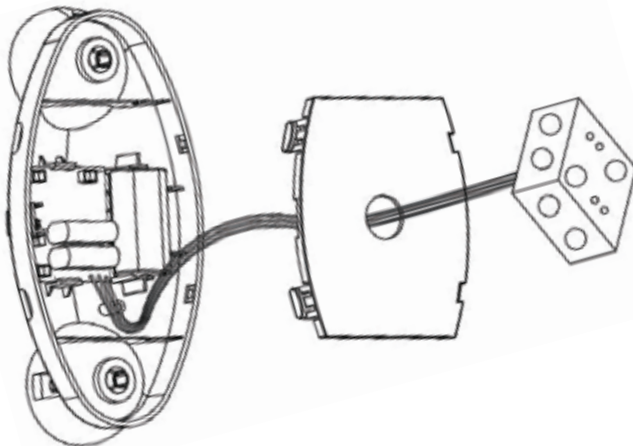
WIRING

BLACK - 120VAC Input
WHITE - Neutral
ORANGE 277VAC Input

2. Knockout in back of mounting plate and push wires through the hole.



3. Securely attach mounting plate to J-box.



4. Electrical Connections

Make the proper supply wire connections

If using 120VAC, connect the black and white wires to the building utility.

If using 277VAC, connect the orange and white wires to the building utility.