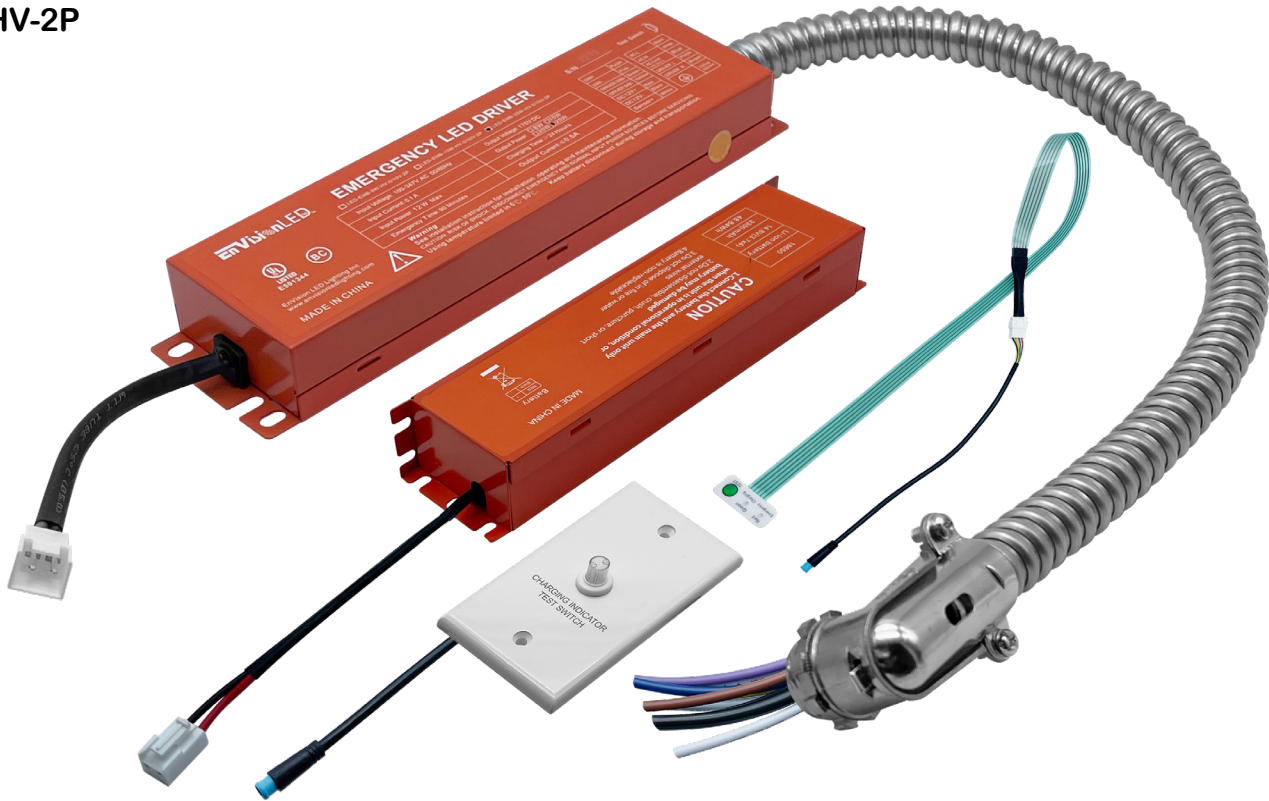




Battery Backup (Split Design)

25W-HV-2P



SPECIFICATIONS

INPUT VOLTAGE	100-277VAC, 50/60Hz
INPUT CURRENT	≤100mA
INPUT POWER	≤7W
OUTPUT VOLTAGE	≤110V AC
OUTPUT POWER	25W
ADAPTIVE POWER	≤25W
AMBIENT TEMP	41° F - 122° F
EMERGENCY TIME	1.5 Hrs.

FEATURES

- Universal input voltage (100-277v AC, 50/60Hz)
- Constant output power (auto-sensing output)
- UL Listed for field installation
- Battery protection: over/under voltage, over-temp., short circuit
- Backup runtime: 90 minutes
- For use with external driver w/ internal housing space: wall packs, canopy, etc.

CAUTION

1. In emergency mode, double-click this test switch to turn off the current emergency state.

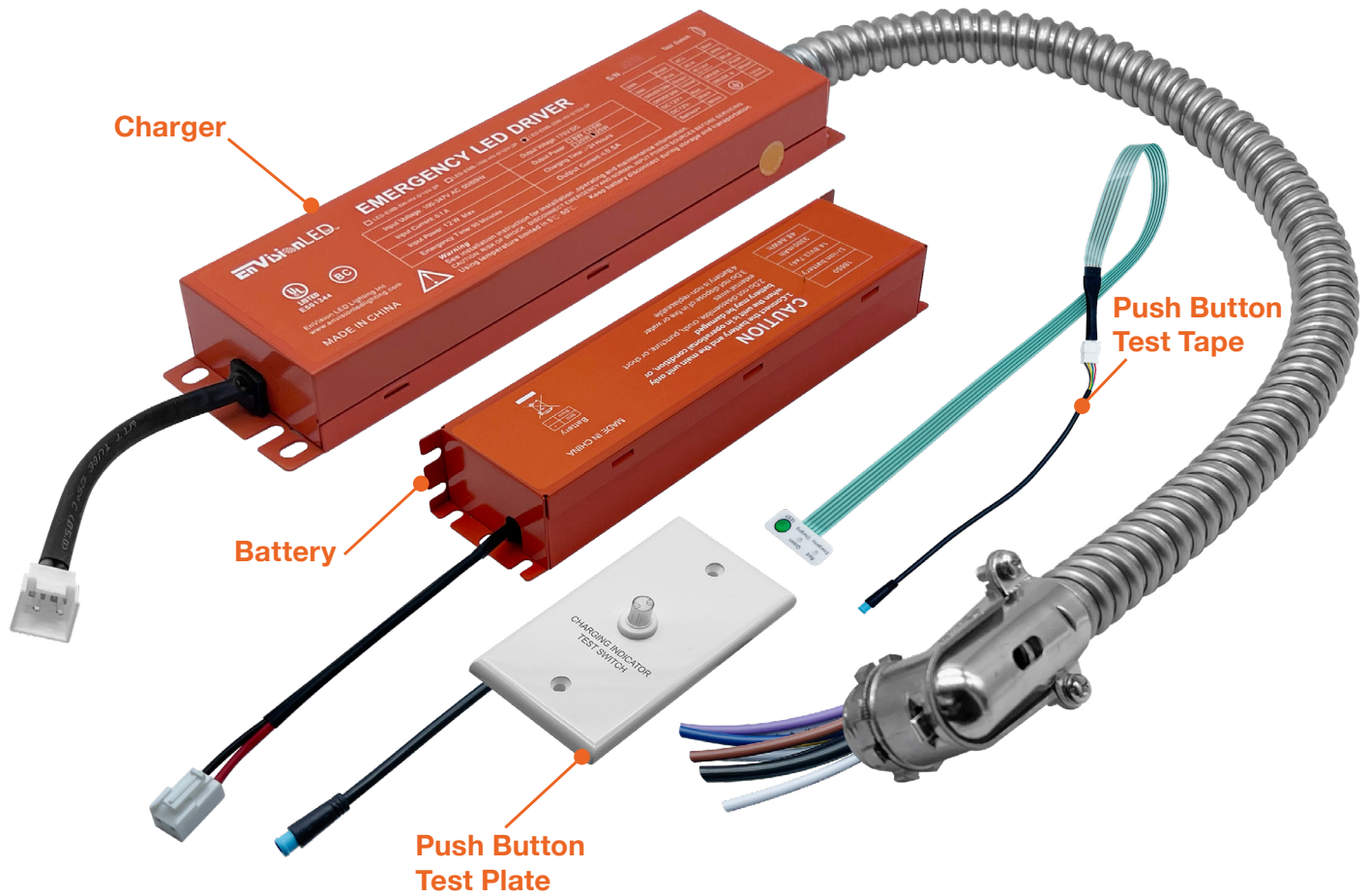
Quick Ship Product

LED-EMB-25W-HV-2P

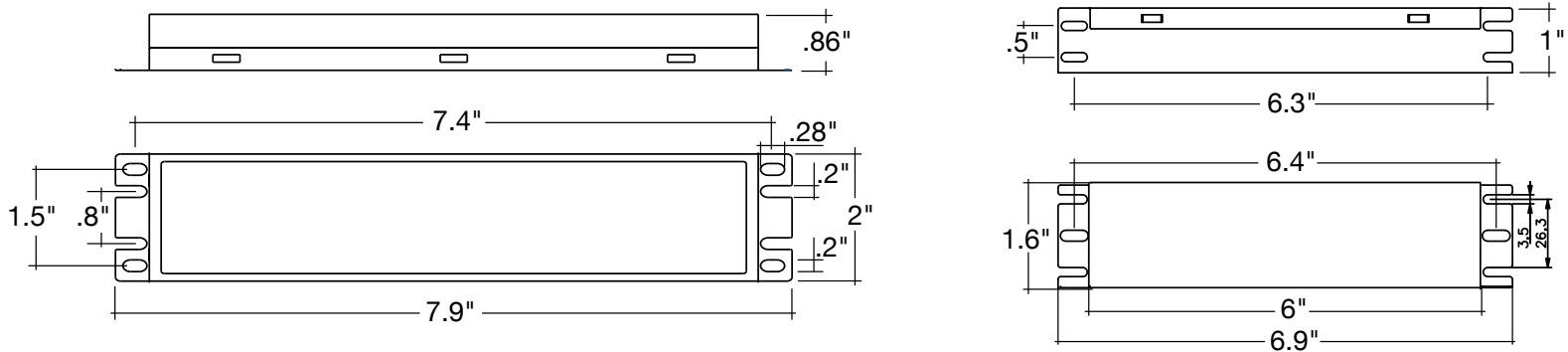
25W • Input: 120/277V • Output: ≤110V

Battery Backup (Split Design)

FEATURES



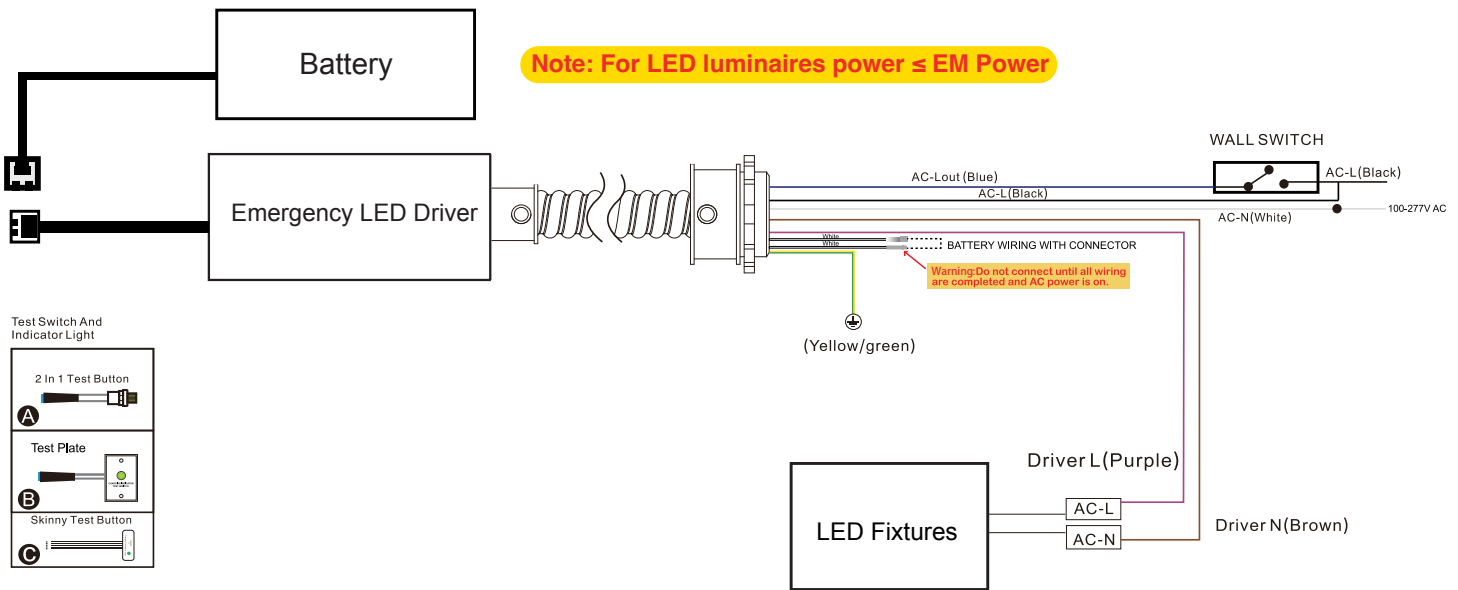
DIMENSIONS



Specs and model numbers are subject to change with or without notice.

Battery Backup (Split Design)

WIRING DIAGRAM



OPERATION

AC OPERATION: AC power is present. The AC driver operates the LED load as designed. The emergency driver is charging in a stand-by mode. The charging indicator will be lit, showing that the battery is charging.

EMERGENCY OPERATION: When the AC power goes out, the emergency driver detects the AC power outage and automatically switches to emergency mode. When GREEN LED light is OFF, that means the driver is discharging. When the AC power is restored, the emergency driver goes back to AC power and starts recharging.

IMPORTANT



IMPORTANT SAFEGUARDS

When using electrical equipment, basic safety precautions should always be followed including the following.

PLEASE READ AND FOLLOW ALL SAFETY INSTRUCTIONS

CAUTION: RISK OF SHOCK- disconnect emergency and normal input power sources before servicing.

ASSEMBLY AND FIELD INSTALLATION WIRING WARNING: AC power must be off before proceeding with assembly or installation of emergency driver.

IMPORTANT: An un-switched AC power source is required (100-277V AC). It is designed for fixtures listed for dry and damp locations.

IMPORTANT: Customers are advised to charge emergency LED driver 24 hours every 6 months during storage.

CAUTION: Make sure all electrical connections conform to the National Electrical Code and all applicable local regulations.

CAUTION: This is a sealed unit. Components are not replaceable. Replace the entire LED Emergency Backup unit when necessary.

CAUTION: Equipment should be mounted in locations and at heights where it is not subjected to tampering by unauthorized personnel.

CAUTION: The use of accessory equipment is not recommended by the manufacturer and may cause unsafe conditions.

CAUTION: Use with grounded, UL Listed, dry or damp location rated fixtures. Case should also be grounded.

CAUTION: Battery is rechargeable Li-ion type and must be recycled or disposed of properly.

CAUTION: Suitable for use in 32° F to 122° F ambient temperatures.

CAUTION: This product is for use with indoor fixtures only. DO NOT use near heated air handling outlets or hazardous locations.

Do not let power supply cords touch hot surfaces. Do not mount near gas or electric heaters. Do not use this equipment for other than its intended use. Failure to follow this may cause an unsafe condition and will void warranty. Servicing of this equipment should be performed by qualified personnel only.

Specs and model numbers are subject to change with or without notice.