



# XS-Line: Mini Floods

## 3-CCT w/ Selectable Photocell



Yoke Mount Included

### Detail Specifications

- Finish: Bronze, White, Black
- IP Rating: Wet Location (IP65)
- Beam Angle: 120°
- CCT: 30/40/50K Selectable
- Chip: SMD 2835, R9 >50, CRI >80
- Operating Temperature: -40° - 122° F
- Lens: PC Lens: Clear acrylic
- Average life (L70) of 50,000 hours

### Applications:

- Dock and Loading
- Walkways & Pathways
- Parking Lots
- Hospitality, Multi-Family
- Outdoor Corridors
- General Outdoor Lighting
- Residential, Commercial and Industrial

### Product Information:

- Sturdy die-cast aluminum housing finished with corrosion free powder coat
- XS-Line: Extra Small Body Line
- Selectable Photocell included on each fixture
- 1.5' STJW 18.3 AWG cable whip included
- Select-n-Switch Technology
- Instant-On to full brightness

### Driver Options:

- UNV: 120-277V or 277-480V 0-10V Dimmable
- Built in 6Kv Surge Protector
- THD: <20% (+/-5% tolerance), PF >0.9, 50/60Hz

### Mounting & Installation:

- 1/2" Knuckle mount installed on each fixture
- Yoke mount included in the box

### Certifications:

- UL Listed for USA and CA
- DLC Listed
- ROHS Compliant
- Approved for CA T24
- 5 Year Limited Warranty
- FCC CFR 47, GCC Part 15, Subpart B:2017

### Series

#### LED-FL-15W-TRI

15W • 1,950lm

#### LED-FL-30W-TRI

30W 3,900lm

#### LED-FL-3P60-TRI

60/50/40w • 7,800/6,500/5,200lm

#### LED-FL-3P100-TRI

100/80/60w • 13,500/10,800/8,100lm

#### LED-FL-3P150-TRI

150/120/100w • 20,250/16,200/13,500lm

### Color

#### BZ

Bronze  
(Standard)

#### WH

White

#### BL

Black

### Bracket

#### - KNYK - PC

1/2" Knuckle  
Installed.

Yoke  
included.

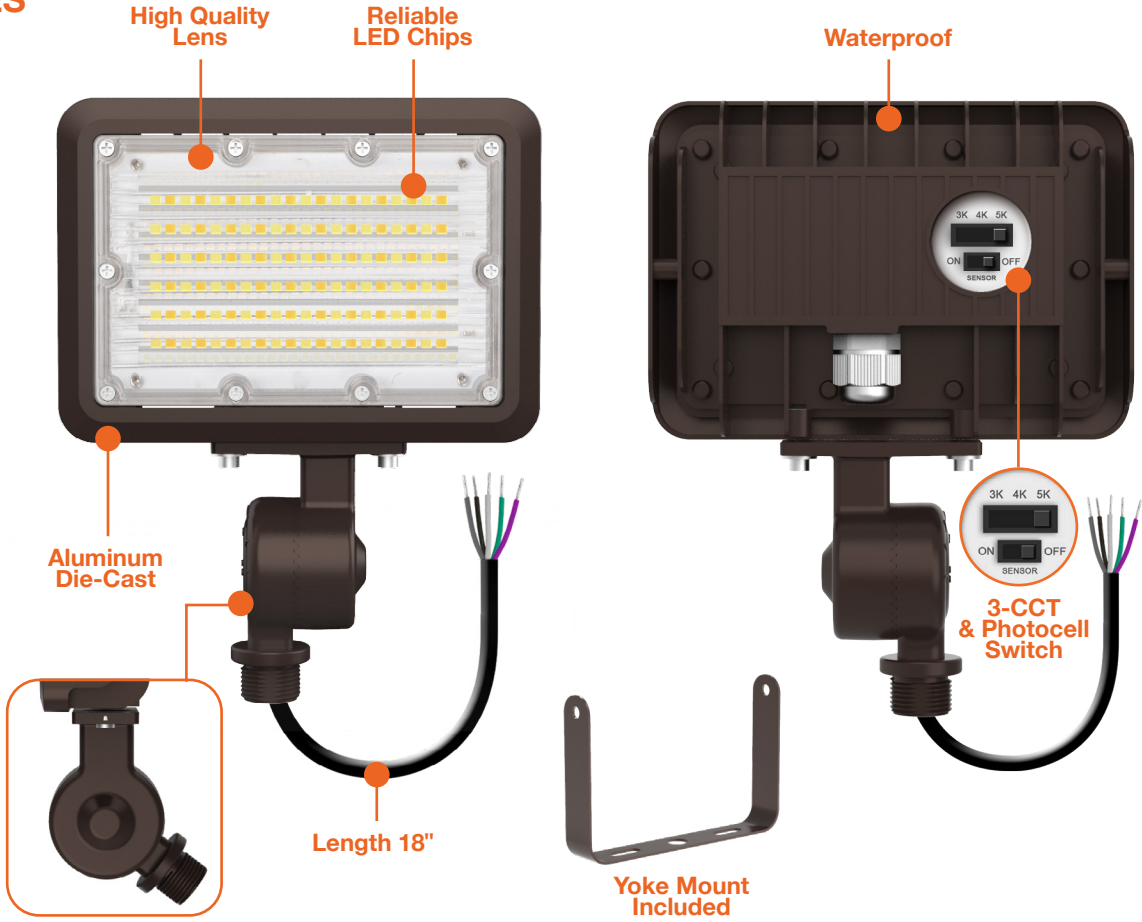
### Photocell

Selectable  
photocell  
is included.

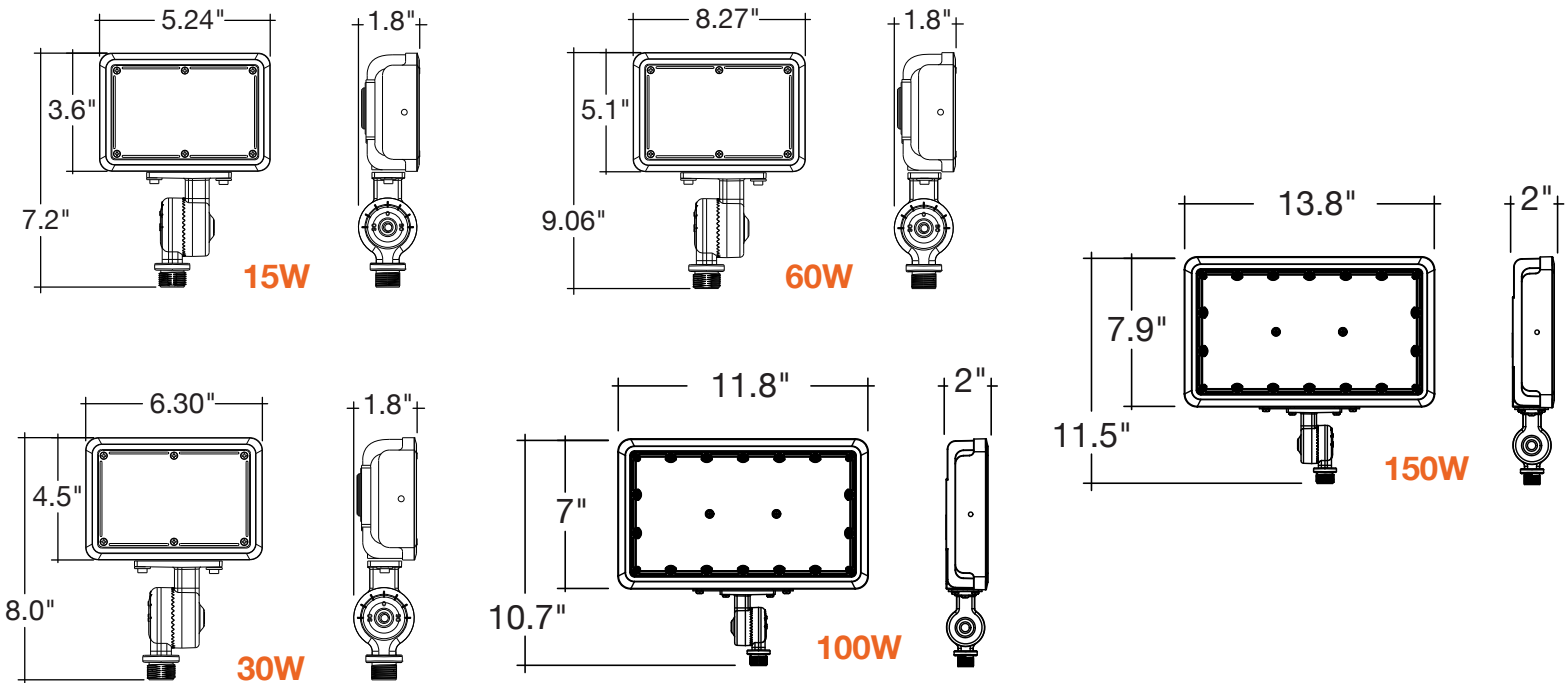
# XS-Line: Mini Floods

## 3-CCT w/ Selectable Photocell

### FEATURES



### DIMENSIONS



# XS-Line: Mini Floods

## 3-CCT w/ Selectable Photocell

Model	Voltage	Watts	Lumens	Color	CRI
LED-FL-15W-TRI-BZ-KNYK-PC	120-277V	15w	1950	30/40/50K	>90
LED-FL-15W-TRI-WH-KNYK-PC	120-277V	15w	1950	30/40/50K	>90
LED-FL-15W-TRI-BL-KNYK-PC	120-277V	15w	1950	30/40/50K	>90
LED-FL-30W-TRI-BZ-KNYK-PC	120-277V	30w	3900	30/40/50K	>90
LED-FL-30W-TRI-WH-KNYK-PC	120-277V	30w	3900	30/40/50K	>90
LED-FL-30W-TRI-BL-KNYK-PC	120-277V	30w	3900	30/40/50K	>90
LED-FL-3P60-TRI-BZ-KNYK-PC	120-277V	40/50/60w	5200/6500/7800	30/40/50K	>90
LED-FL-3P60-TRI-WH-KNYK-PC	120-277V	40/50/60w	5200/6500/7800	30/40/50K	>90
LED-FL-3P60-TRI-BL-KNYK-PC	120-277V	40/50/60w	5200/6500/7800	30/40/50K	>90
LED-FL-3P100-TRI-BZ-KNYK-PC	120-277V	100/80/60w	13500/10800/8100	30/40/50K	>90
LED-FL-3P100-TRI-WH-KNYK-PC	120-277V	100/80/60w	13500/10800/8100	30/40/50K	>90
LED-FL-3P100-TRI-BL-KNYK-PC	120-277V	100/80/60w	13500/10800/8100	30/40/50K	>90
LED-FL-3P150-TRI-BZ-KNYK-PC	120-277V	150/120/100w	20250/16200/13500	30/40/50K	>90
LED-FL-3P150-TRI-WH-KNYK-PC	120-277V	150/120/100w	20250/16200/13500	30/40/50K	>90
LED-FL-3P150-TRI-BL-KNYK-PC	120-277V	150/120/100w	20250/16200/13500	30/40/50K	>90