

# Gooseneck Area Light: Bolt-Line

## 3-CCT & 3-Power Selectable w/ Photocell



### Detail Specifications:

- Finish: Bronze, Black, White, Custom finishes available
- IP Rating: Wet Location (IP65)
- Beam Angle: 120°
- CCT: 30/40/50K Selectable
- Chip: SMD 2835, R9 >50, CRI >80
- Operating Temperature: -40° - 122° F
- Lens: PC Lens: Clear acrylic
- Average life (L70) of 50,000 hours

### Applications:

- Barn Lighting
- Walkways & Pathways
- Hospitality, Multi-Family
- Outdoor Corridors
- General Outdoor Lighting
- Residential, Commercial and Industrial

### Product Information:

- Sturdy die-cast aluminum housing finished with corrosion free powder coat
- Photocell included on each fixture with on/off switch
- Select-n-Switch Technology: 3-CCT & 3-Power Selectable
- Instant-On to full brightness

### Driver Options:

- UNV: 120-277V 0-10V Dimmable
- Built in 6Kv Surge Protector
- THD: <20% (+/-5% tolerance), PF >0.9, 50/60Hz

### Mounting & Installation:

- 30 or 40 J-Box Bracket Include

### Certifications:

- UL Listed for USA and CA
- DLC Listed
- ROHS Compliant
- Approved for CA T24
- 5 Year Limited Warranty
- FCC CFR 47, GCC Part 15, Subpart B:2017

WATT	LUMENS
30	3,900
40	5,200
50	6,500

### Series

**LED-GNB-3P50-TRI-**  
50/40/30W

### Finish <sup>1</sup>

- BZ**  
Bronze
- BL**  
Black
- WH**  
White
- GRY <sup>1</sup>**  
Gray
- CS**  
Custom Color

1. Standard quickship is bronze, black, and white. Other colors are custom finishes.

### Photocell

**PC**  
Photocell is included. On/Off switch on fixture.

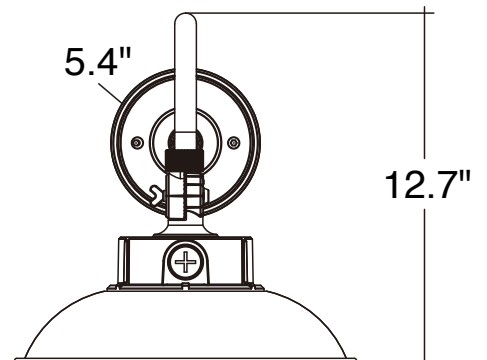
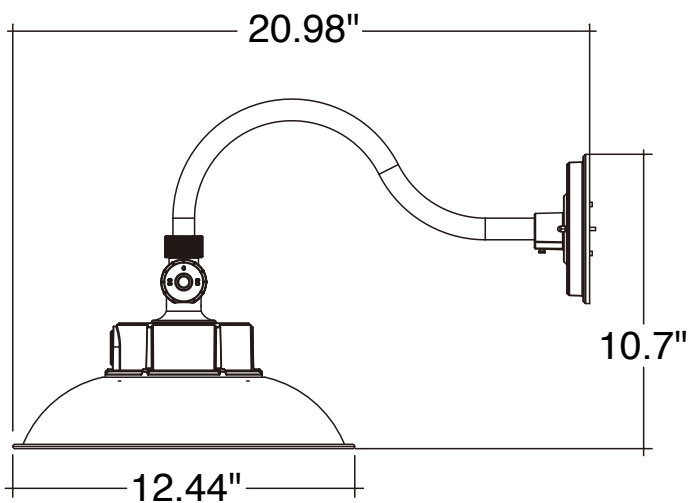
# Gooseneck Area Light: Bolt-Line

3-CCT & 3-Power Selectable w/ Photocell

## FEATURES



## DIMENSIONS



*Specs and model numbers are subject to change with or without notice.*