

Low Voltage: In-Ground Well Light

Aluminum Housing— Integrated LED 5-CCT



IGLS-FL



IGLS-RB



IGLS-SH

Detail Specifications:

- Finish: Bronze or Black
- Housing: Aluminum
- LED Integrated
- 5-CCT: 27/30/35/40/50k
- Power: 9W
- Lumens: 700
- Beam Angle: 30°
- IP Rating: Wet Location IP65
- Lens: Flat Open Lens

Applications:

- Landscape
- Walkways & Pathways
- Driveways
- Hospitality, Multi-Family
- Outdoor Corridors
- General Outdoor Lighting
- Residential, Commercial

Product Information:

- Heat resistant glass lens
- Fully adjustable knuckle for precise control
- Water tight silicone ring for waterproofing
- Drive over rated
- Packaging: Retail color box
- Master box quantity: 30

Driver Options:

- Compatible with Low Voltage Drivers
- 12-24V AC/DC
- Max load should not exceed more than 80% of the transformer wattage

Mounting & Installations:

- Wire: 3' (36") SPT-1W 20 gauge wire lead

Warranty:

- 3 Year Limited Warranty

Models

LED-IGLS-FL-9W-5CCT-ALM-BZ-LV

Bronze Finish • Flat Open Lens

LED-IGLS-RB-9W-5CCT-ALM-BZ-LV

Bronze Finish • Ribbed Lens

LED-IGLS-SH-9W-5CCT-ALM-BZ-LV

Bronze Finish • Shroud Open Lens

Multi-Top Transformers

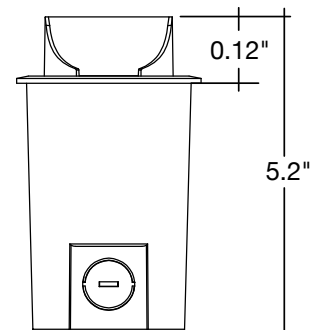
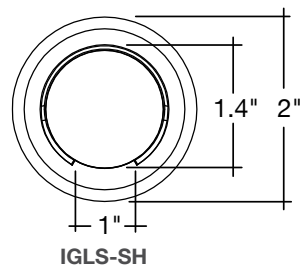
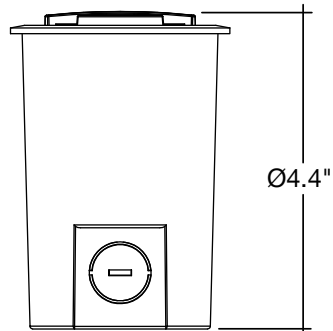
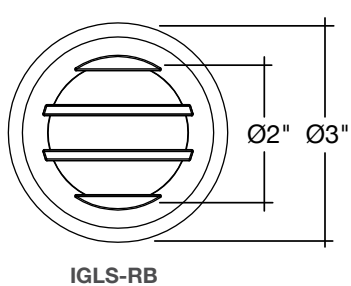
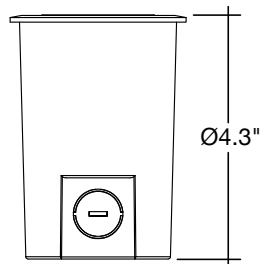
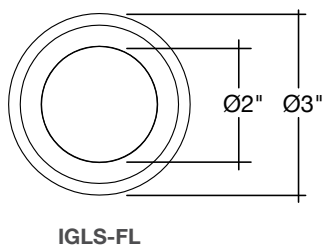
WMT-LV-150W-SS

WMT-LV-300W-SS

WMT-LV-600W-SS



DIMENSIONS



ACCESSORIES



WMT-LV-150W-SS
WMT-LV-300W-SS
WMT-LV-600W-SS

| Model | Voltage | Watts | Lumens | Color |
|-------------------------------|--------------|-------|--------|-----------------|
| LED-IGLS-FL-9W-5CCT-ALM-BZ-LV | 12-24V AC/DC | 9w | 700 | 27/30/35/40/50k |
| LED-IGLS-RB-9W-5CCT-ALM-BZ-LV | 12-24V AC/DC | 9w | 700 | 27/30/35/40/50k |
| LED-IGLS-SH-9W-5CCT-ALM-BZ-LV | 12-24V AC/DC | 9w | 700 | 27/30/35/40/50k |

Transformers

| Model | Voltage | Watts |
|----------------|--------------|-------|
| WMT-LV-150W-SS | 12,13,14,15V | 150w |
| WMT-LV-300W-SS | 12,13,14,15V | 300w |
| WMT-LV-600W-SS | 12,13,14,15V | 600w |