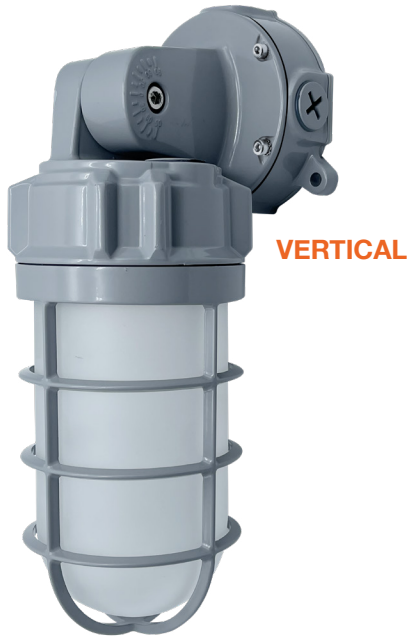




# Jelly Jar Vapor Tight

## Vertical & Horizontal Install



### Detail Specifications:

- Finish: Gray
- IP Rating: Wet Location
- Beam Angle: 160°
- Chip: SMD 2835, R9 >50, CRI >80
- Optional CRI >90 chip available
- 3 Step MacAdam Ellipses
- Operating Temperature: -40° - 124° F
- Lens: Frosted, non-yellowing
- Average life (L70) of 50,000 hours

### Applications:

- Indoor or Outdoor
- Utility & Storage
- Vandal Proof or Harsh Weather
- Commercial and Industrial

### Product Information:

- Di-case aluminum housing and wire guard
- Mounts horizontally or vertically with 180° adjustment
- Select-n-Switch Technology: 3-CCT Selectable

### Driver Options:

- UNV: 120-277V 0-10V Dimmable
- THD: <15% (=/-5% tolerance), PF >0.9, 50/60Hz
- Isolated Driver
- Flicker Free

### Mounting & Installation:

- Ceiling or Wall Applications
- Surface mounts to junction box

### Certifications:

- UL Listed for USA and CA
- DLC Listed
- Approved for CA T24
- 5 Year Limited Warranty
- FCC CFR 47, GCC Part 15, Subpart B:2017

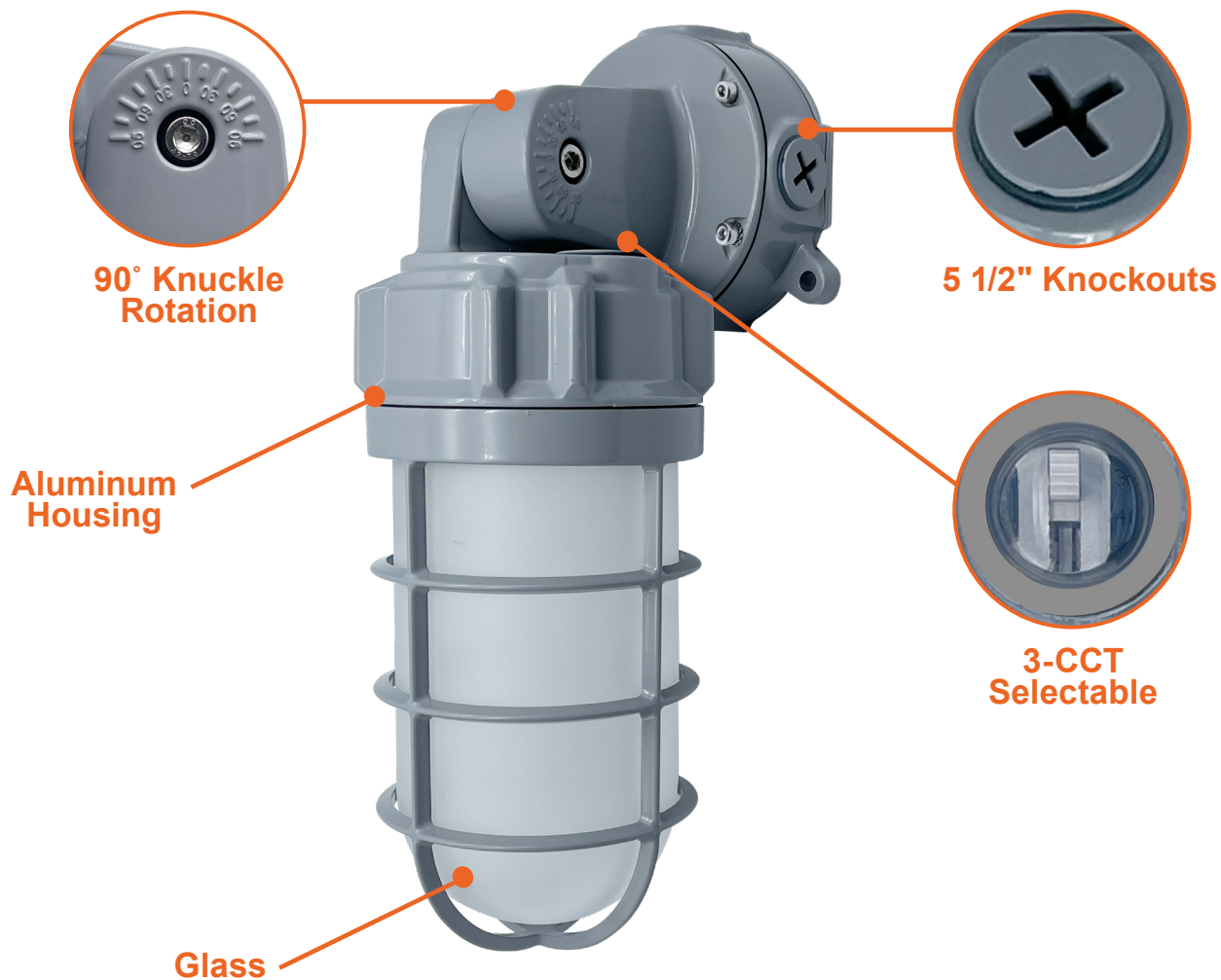
Series

**LED-JJ-21W-TRI**  
2,700lm • 120-277V

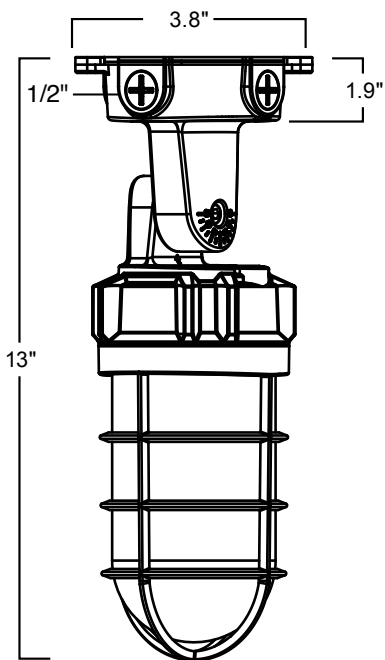
# Jelly Jar Vapor Tight

## Vertical & Horizontal Install

### FEATURES



### DIMENSIONS



Model	Voltage	Watts	Lumens	Color	CRI
LED-JJ-21W-TRI	120-277V	21w	2700	30/40/50k	>80