

Project: _____ Part #: _____
 Type: _____

Linear LED High Bay with Twist-C Technology

The EnVision LED Linear High Bay series is offered in different lumen packages, lengths, and lenses. EnVision makes it easy: add emergency back ups, motion sensors, choose between a frosted or clear lens, add a wire guard, and more. Each fixture comes standard with a suspension kit and hooks for easy install.

Detail Specifications

- IP20 Dry Location Use
- 120-277V Standard with 480V option
- Operating temperature -4 -- + 122 F°
- PF >0.9 /50/60Hz
- Beam Angle: 120°

Applications:

- Warehouse lighting
- Industrial lighting
- High ceiling lighting

Product Information:

- Optional emergency backup available
- Replace existing fixtures or use in new construction
- 0-10V dimmable makes it easy to add controls
- Uniformed distribution of light
- High lumen per watt helps increase energy savings
- Average life (L70) of 70,000 hours with the integration of Epistar 2835 LED Chips
- IP20 Rated for protection against basic touch
- 5 Year Limited Warranty (10 year available)

Mounting:

- 3.5' adjustable suspension kit is included with every fixture
- Optional 9' adjustable suspension kits available
- Optional whips available
- Optional surface mount kit available
- Optional pendant mount kit available

Certifications:

- UL Listed for USA and CA
- DLC Premium Listed
- ROHS Compliant
- Approved for CA T24



2ft



4ft

Why pick the EnVision High Bay?:

- Each high bay is tested for 120 hours before being packed and shipped
- Several optional customizable specs available
- Internal motion sensor ability adds nice finish

LED-LHB-	Size/Watts	Lens	Color	Voltage	Sensor	Whip	Emergency	Access.	Warranty
1	2	3	4	5	6	7	8	9	10

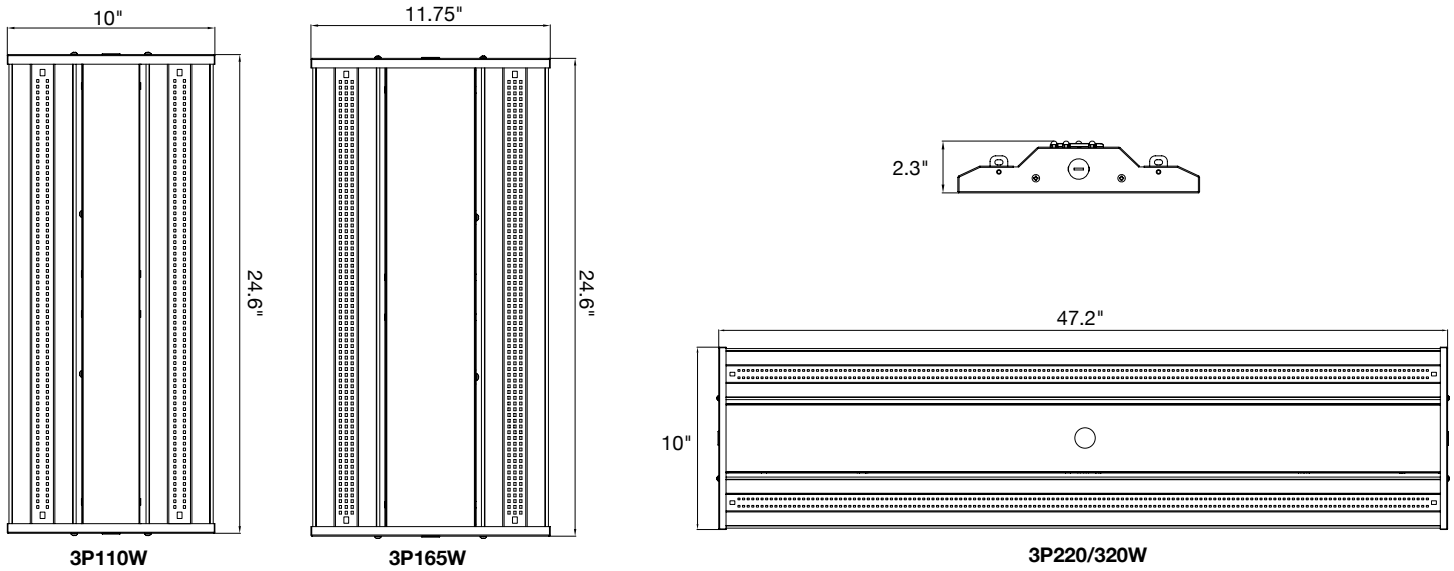
1 Product	2 Size /Watts	3 Lens	4 Color	5 Voltage	6 Sensor	7 Whip	8 Emergency	9 Access.	10 Warranty
LED-LHB LED Linear High Bay	2FT-3P110 60/80/110W 8,700/11,600 15,950lm 2FT-3P165 125/150/165W 18,125/21,750 23,925lm 4FT-3P220W 180/200/220W 26,100/29,000 31,900lm 4FT-3P320W 260/290/320W 37,700/42,050 46,400lm	Frosted Frosted Ribbed Lens	40K 4000K 50K 5000K	UNV Universal 120-277V HV High Voltage 480V	(Blank) None BMSDL Bi-level motion sensor + daylight harvesting BMS Bi-level motion sensor + daylight harvesting BT Bluetooth control	(Blank) None 6' 6ft Whip Custom Specify	(Blank) None EMB Emergency Backup External 15W	(Blank) Susp. Kit SK Provided LHB- Pendant 2FT- Mount PDM (Single) LHB- Surface 2FT- Mount SM (Double)	(Blank) 5 Year Included 10YR 10 Year

Specs and model numbers are subject to change with or without notice.

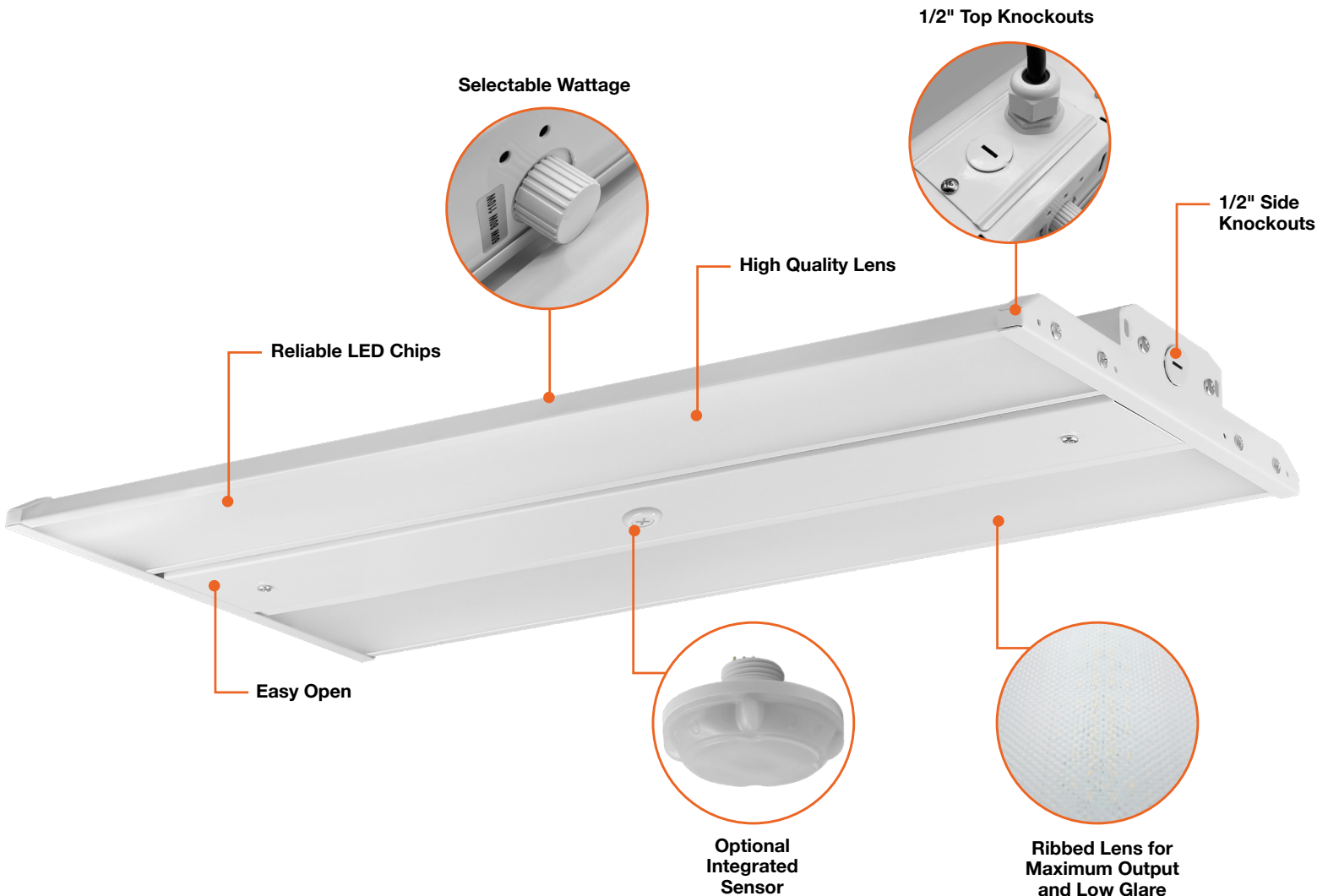


Linear LED High Bay with Twist-C Technology

DIMENSIONS

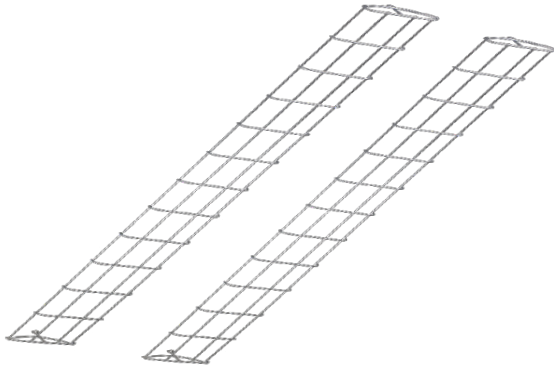


FEATURES



Linear LED High Bay with Twist-C Technology

ACCESSORIES



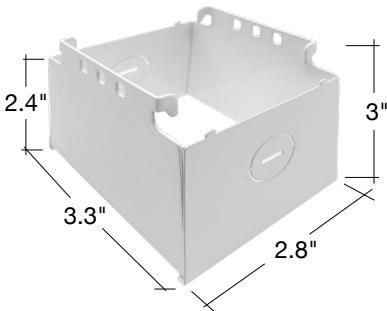
Wire Guards



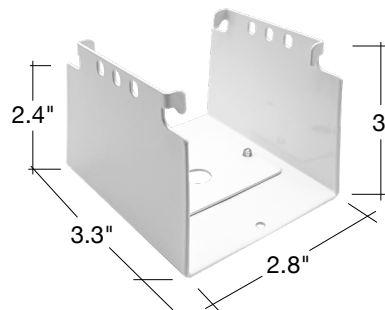
Motion Sensor
HB01DMS-A
(Remote Required)



Emergency Backup



Pendant Mount 2ft
LHB-2FT-PDM
Center Hole Size .85"



Pendant Mount 4ft
LHB-4FT-PDM
Center Hole Size 1"

Surface Mount 2ft
LHB-2FT-SM
Center Hole Size 1"
Center Hole Size w/ Plate .43"

Surface Mount 4ft
LHB-4FT-SM



Controller
HB03R

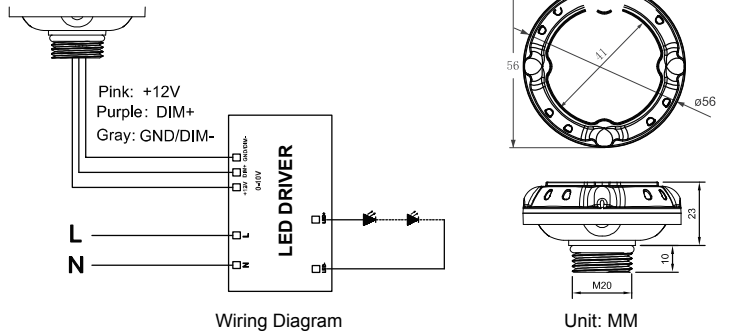
HIGHBAY FIXTURE

Accessory Model	Description
LED-LHB-2FT-3P110-F-40K-UNV	Linear Highbay 2ft 3 Power Select w/ Twist-It Technology
LED-LHB-2FT-3P110-F-50K-UNV	Linear Highbay 2ft 3 Power Select w/ Twist-It Technology
LED-LHB-2FT-3P165-F-40K-UNV	Linear Highbay 2ft 3 Power Select w/ Twist-It Technology
LED-LHB-2FT-3P165-F-50K-UNV	Linear Highbay 2ft 3 Power Select w/ Twist-It Technology
LED-LHB-4FT-3P220W-F-40K-UNV	Linear Highbay 4ft 3 Power Select w/ Twist-It Technology
LED-LHB-4FT-3P220W-F-50K-UNV	Linear Highbay 4ft 3 Power Select w/ Twist-It Technology
LED-LHB-4FT-3P320W-F-40K-UNV	Linear Highbay 4ft 3 Power Select w/ Twist-It Technology
LED-LHB-4FT-3P320W-F-UNV-50K	Linear Highbay 4ft 3 Power Select w/ Twist-It Technology

Pre-installed Accessory Model	Description
Add '-BMS' to model #	Bi-Level Motion + Daylight Sensor
Add '-EMB' to model #	Emergency Backup
Add '-HV' to model #	347-480V Driver for Fixture
Add '-SBT' to model #	Bluetooth Control

Accessory Model	Description
3Whip-(#)ft - Specify ft in place of #	3 Wire Whip Hot, Neutral, Ground
5Whip-(#)ft - Specify ft in place of #	5 Wire Whip Hot, Neutral, Ground. Dim
HB01DMS-A	Motion & Daylight Sensor (Remote Required)
HB03R	Controller for HB03R Series (Controls Multiple)
LHB-2FT-WG	Linear Highbay Wire Guard 2ft
LHB-4FT-WG	Linear Highbay Wire Guard 4ft
LHB-2FT-CLENS	Linear Highbay Clear Lens 2ft
LHB-4FT-CLENS	Linear Highbay Clear Lens 4ft
LHB-2FT-SM	Linear Highbay Surface Mount
LHB-4FT-SM	Linear Highbay Surface Mount
LHB-2FT-PDM	Pendant Mount for 2' LHB
LHB-4FT-PDM	Pendant Mount for 4' LHB

MOTION SENSOR



- ON/OFF Control**
- Stand-By Dimming Level**
- Detection Area**
- Remote Control Settings**
- Hold Time**
- 10-15M Highbay Height**
- Daylight Sensor**
- Stand-by Period**
- Warranty 5 years**

Technical Data

Operating Voltage	12±2V DC
Operating Current	30mA
Output	DIM 0-10V
Stand-by Power	<0.5W
Brightness	0%-100% Quick Setting: 70%/80%/90%/100%
Sensitivity	20%/50%/75%/100%
Hold Time	10s/1min/10min/30min
Daylight Threshold	10Lux/30Lux/50Lux/100Lux/Disable
Stand-by Time	1min/30min/60min/+∞
Stand-by Dimming Level	10%/20%/30%/50%
Microwave Frequency	5.8GHz±75MHz
Microwave Power	<0.5mW
Detection Angle	150° (Wall Mounted) 360° (Ceiling Mounted)
Control Line	Pink: +12V; Purple: DIM+; Gray: GND/DIM-
Mounting Height	Max. 15m (Ceiling Mounted)
Detection Range	Max. Ø15m (ceiling mounted) Max. 20m (wall mounted)
Operating Temperature	-30°C~+60°C
IP Rating	IP65

NOTE
Factory Default Settings:
 1. On for 10 min.
 2. 50% Dim for 5 min.
 3. Off

REMOTE CONTROL



Display Area

BRIGHTNESS (70%/80%/90%/100%)
DAYLIGHT (10k/30k/50k/100k)
STANDBY DIM (10%/20%/30%/50%)

HOLD TIME (10S/1min/10min/30min)
SENSITIVITY (20%/50%/75%/100%)
STANDBY TIME (+∞ /1min/30min/60min)

Button Setting Area

- ON/OFF** (Long press the "ON/OFF" button until the brightness indicator light is on(First-row), Press to turn on or turn off the fixture.)
- BRIGHTNESS** (Press to adjust dimming level 70%/80%/90%/100%.)
- SEND** (Press to save settings after each change, The indicator light confirms the save setting.)
- HOLD TIME** (Press to adjust hold time 10s/1min/10min/30min.)
- DAYLIGHT** (Long press the button until the daylight indicator light is on, press to adjust daylight threshold 10k/30k/50k/100k.)
- SENSITIVITY** (Press to adjust sensitivity 20%/50%/75%/100%.) Note: PIR Motion Sensor have no sensitivity setting, the default: 100%.
- STANDBY DIM** (Press to adjust stand-by dimming level 10%/20%/30%/50%.)
- STANDBY TIME** (Press to adjust stand-by time +∞ /1min/30min/60min.)
 Note: "+∞" means unlimited stand-by time, and the light control mode is the light control priority mode, otherwise it's the light threshold mode.
- RESET**
 Press "RESET" button, products with DIP switch will be controlled by DIP switches; Otherwise all the setting will change, which is Brightness 70%/ Hold time 10s/ Sensitivity 20%/ Daylight threshold disable/Stand-by dimming level 10% / Stand-by time+∞.
- TEST**
 The button "TEST" is for testing purpose after debugging, Pressing this button, the sensor goes to test mode(hold time is only 3s).
- +** Press to increase brightness(0-100%).
- Press to reduce brightness(100%-0%).