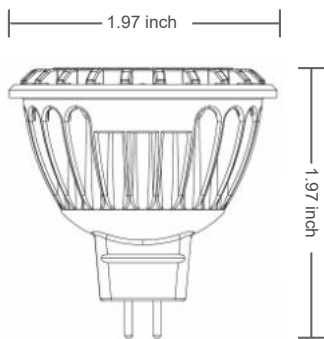


# MR-16 9W



The EnVision LED MR-16 bulb in LED brings lighting to the next level. This MR-16 bulb is sized to the point it will fit in most fixtures. Enjoy watching your energy bills fall, while also saving on replacement costs, as our MR-16 is rated 25,000 hours.

## Applications:

- Track Lights
- Showcases
- Recessed Downlighting
- Restaurants, Bars, Pubs, Cafe Lighting

## Product Information:

- Increase energy savings and shorten payback period
- High intensity: ready to replace existing 50W halogen
- Same size as traditional MR-16
- Dimmable: With magnetic transformer
- 5 Year Limited Warranty

Type	Model	Volt	Watt	Lumen	Color	CRI	Beam Spread
MR-16	LED-MR16-9W-WW-DIM	12V AC/DC	9W	500	Warm-3000k	>80	40°
MR-16	LED-MR16-9W-DL-DIM	12V AC/DC	9W	500	Day-6500k	>80	40°