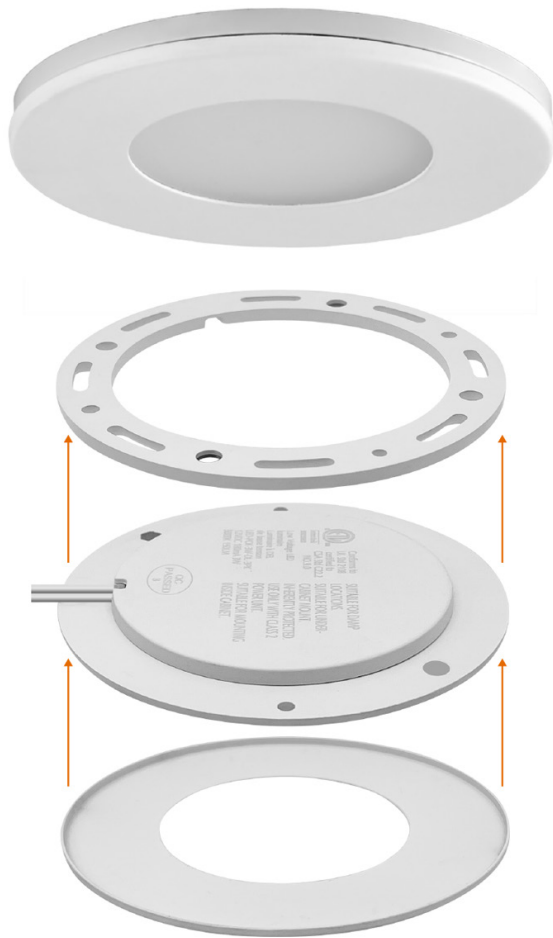




# Undercabinet Puck Lights

## Interchangeable Trims



### Detail Specifications:

- Finish: White Standard
  - Trim options: Black, bronze, brushed nickel, silver, copper
- IP Rating: Indoor Use IP20
- Beam Angle: 180°
- Chip: SMD 2835, R9 >50, CRI >80
- Material: plastic surface mount, iron trim, PMMA lens
- Operating Temperature: -4° - 114° F
- Direction: Horizontal or Vertical

### Applications:

- Under Cabinet
- Over Cabinet
- Displays
- Indoor Use

### Product Information:

- Sturdy di-cast aluminum housing finished with corrosion free powder coat
- Ultra slim profile, only 0.27" thick
- Interchangeable trim finishes (white included)

### Driver Options:

- 12V or 24V DC available
- For use with constant voltage transformer

### Mounting & Installation:

- Recess mounted (2.25" hole)
- Surface mounted (ring included)
- 39" split wire leads and jumper connectors for easy daisy chain
- View installation guide for more details

### Certifications:

- ETL Listed for USA and CA
- 5 Year Limited Warranty
- FCC CFR 47, GCC Part 15, Subpart B:2017

#### Series

- LED-PCK-3W-27K-12V**
- LED-PCK-3W-30K-12V**
- LED-PCK-3W-40K-12V**
- LED-PCK-3W-50K-12V**
- LED-PCK-3W-27K-24V**
- LED-PCK-3W-30K-24V**

#### Optional Trims (White Included)

- LED-PCK-TRIM-BRZ**  
Bronze
- LED-PCK-TRIM-BLK**  
Black
- LED-PCK-TRIM-SL**  
Silver
- LED-PCK-TRIM-BNI**  
Brushed Nickel
- LED-PCK-TRIM-CP**  
Copper

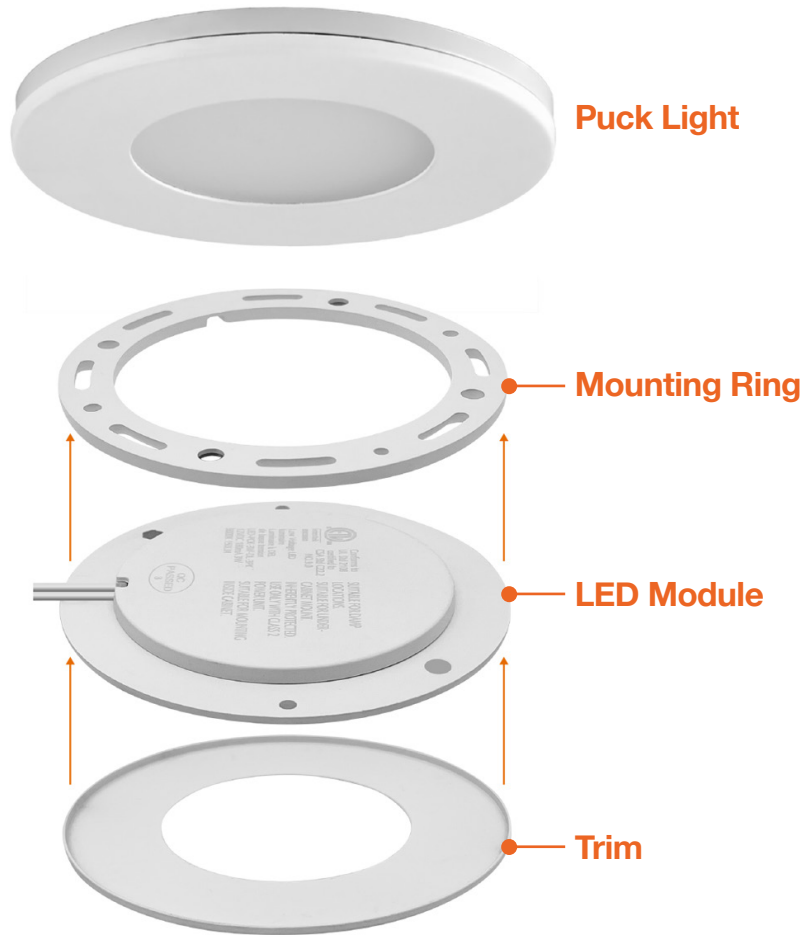
#### Optional Accessories

- ET-12V-12W**  
Electronic transformer (non-dimmable). Connects to wall outlet. Quick connect.
- CV-12V-DC-20W-DIM**  
Constant Voltage Transformer - Hardwire
- CV-12V-DC-60W-DIM**  
Constant Voltage Transformer - Hardwire
- CV-12V-DC-150W-DIM**  
Constant Voltage Transformer - Hardwire
- CV-24V-DC-60W-DIM**  
Constant Voltage Transformer - Hardwire

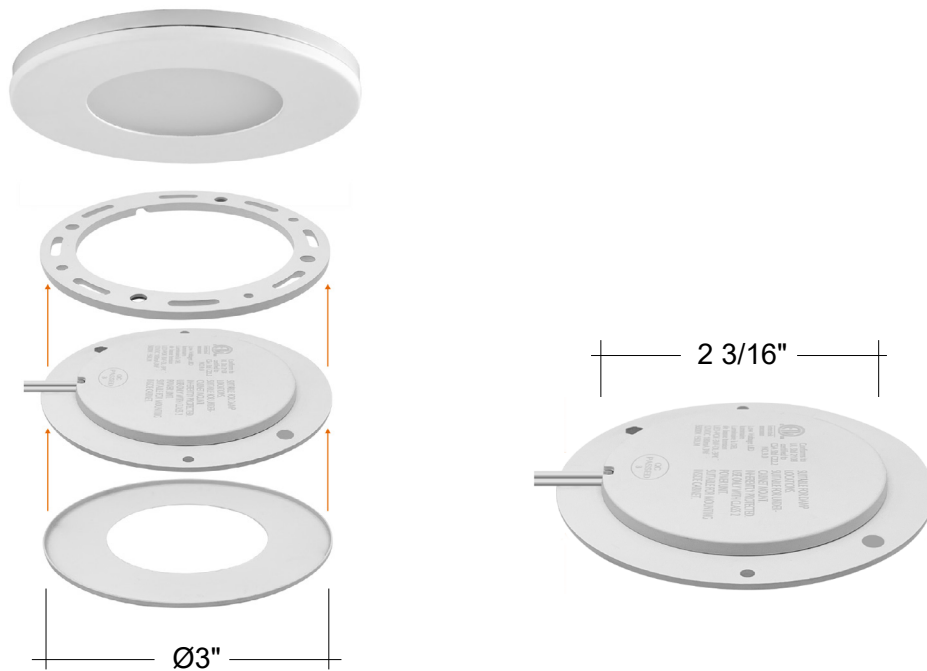
# Undercabinet Puck Lights

## Interchangeable Trims

### FEATURES

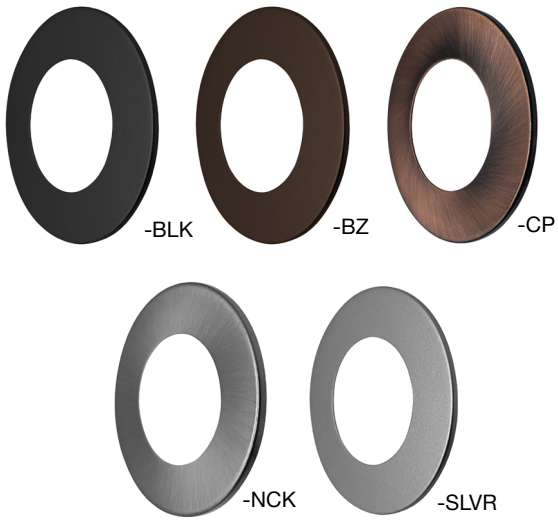


### DIMENSIONS



# Undercabinet Puck Lights

## Interchangeable Trims



Fixture Model	Voltage	Watts	Lumens	Color	CRI
LED-PCK-3W-27K-12V	12V	3w	300	2700k	>90
LED-PCK-3W-30K-12V	12V	3w	300	3000k	>90
LED-PCK-3W-40K-12V	12V	3w	300	4000k	>90
LED-PCK-3W-50K-12V	12V	3w	300	5000k	>90
LED-PCK-3W-27K-24V	24V	3w	300	2700k	>90
LED-PCK-3W-30K-24V	24V	3w	300	3000k	>90
LED-PCK-3W-40K-24V	24V	3w	300	4000k	>90
LED-PCK-3W-50K-24V	24V	3w	300	5000k	>90
LED-PCK-3W-27K-12V-3PK	12V	3w	300	2700k	>90
LED-PCK-3W-30K-12V-3PK	12V	3w	300	3000k	>90
LED-PCK-3W-40K-12V-3PK	12V	3w	300	4000k	>90
LED-PCK-3W-50K-12V-3PK	12V	3w	300	5000k	>90



### TRIMS

Trim Model	Description
LED-PCK-TRM-BLK	Puck Light Trim, Black
LED-PCK-TRM-BZ	Puck Light Trim, Bronze
LED-PCK-TRM-CP	Puck Light Trim, Copper
LED-PCK-TRM-NCK	Puck Light Trim, Brushed Nickel
LED-PCK-TRM-SLVR	Puck Light Trim, Silver

### DIMMABLE TRANSFORMERS

Model	Voltage	Watts
ET-12V-12W	Electronic transformer (non-dimmable). Connects to wall outlet. Quick connect	12w
CV-12V-DC-20W-DIM	Constant Voltage Transformer - Hardwire	20w
CV-12V-DC-60W-DIM	Constant Voltage Transformer - Hardwire	60w
CV-12V-DC-150W-DIM	Constant Voltage Transformer - Hardwire	150w
CV-24V-DC-60W-DIM	Constant Voltage Transformer - Hardwire	60w