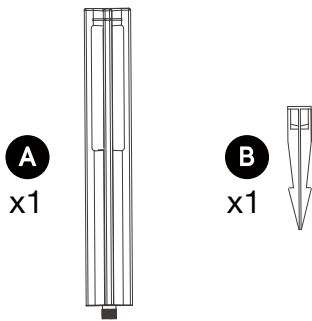


INSTALLATION INSTRUCTIONS FOR 3-COLUMN PATH LIGHTS

LED-PL-3C-15-3W-5CCT-ALM-BL-LV • LED-PL-3C-15-3W-5CCT-ALM-BZ-LV

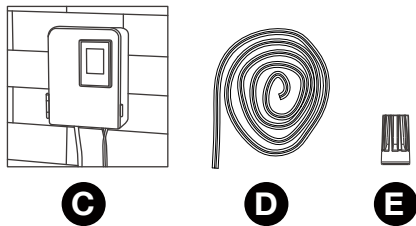
PRODUCT

- A - Light bar
- B - Spike



NEED FOR INSTALLATION (NOT INCLUDED)

- C - Transformer
- D - Power cable
- E - Wire connector



WARNING

Light up the all the products one by one to check if the lights are properly working before installation

Note;

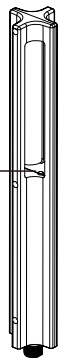
1. Make sure the input voltage is between 12-24V AC/DC
2. No Positive/Negative
3. Make sure the wires are properly connected, if the product is defective or damaged, please contact us by e-mail!

INSTALLATION

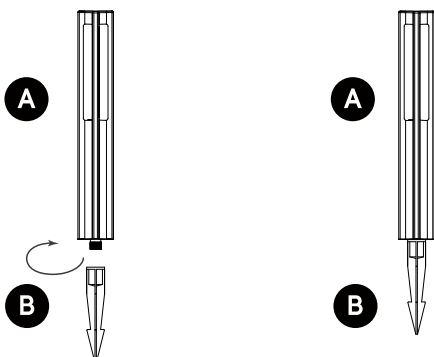
Step 1. Color Temperature Selection

Select the color temperature from 2700K, 3000K, 3500K, 4000K and 5000K with the button shown in the picture. Make sure all fixtures are working well, and the color temperature is what you need.

5-CCT Selectable:
2700/3000/3500/4000/5000K

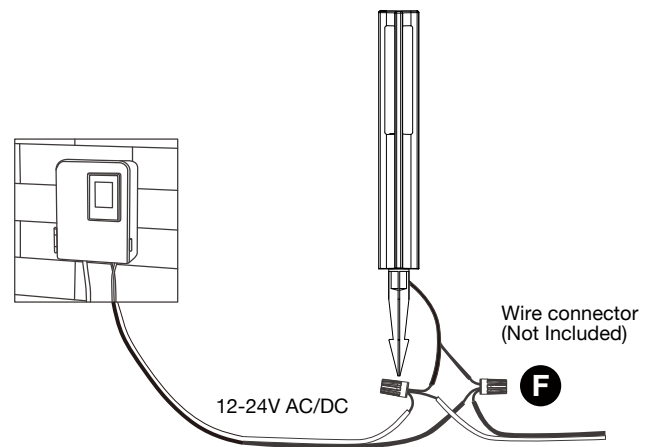


Step 2. Install the light bar. Swivel the light bar into the stake, then put the light bars in the position you choose.

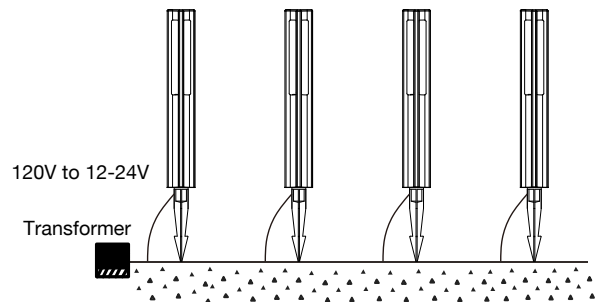


Step 3. Connect the light

Connect the power cord and the light wire with waterproof wire nuts (not included) Fasten the wires tightly together and make sure there isn't a loose wire. Continue to install the rest of the light fixtures by repeating this step.



Separate the fixture wire into two wires. Connect one input power cord, one output power cord and a fixture wire together through waterproof wire nuts (not included). Fasten the wires tightly together and make sure there isn't a loose wire. Continue to install the rest of the light fixtures by repeating this step.



Step 4. WARNING!! PLEASE READ AND UNDERSTAND THE ENTIRE MANUAL BEFORE OPERATING OR INSTALLING THIS PRODUCT.

ONLY use this fixture between 12-24V AC/DC voltage.

The maximum load (combined total wattage of all fixtures) should NOT exceed 80% of the total power of the transformer.

The wire is intended for shallow burial (less than 6 inches deep).

Install all fixtures at least 10ft away from pools, spas or fountains.

Keep the fixtures away from flammable or combustible materials.

DO NOT touch the lens, guard or fixture housing while in use.

DO NOT operate or install a fixture with missing or damaged parts.

DO NOT submerge this fixture in water as this may damage the fixture.

Vertically mount the transformer at least 12 inches above the ground.

Keep this fixture out of reach of children.

DO NOT connect this fixture to electrical systems that DO NOT have grounding.

INSTALLATION

Step 1. Color Temperature Selection

Select the color temperature from 2700K, 3000K, 3500K, 4000K and 5000K with the button shown in the picture. Make sure all fixtures are working well, and the color temperature is what you need.

TROUBLESHOOTING

If all lights are not working properly:

- Check to see if the transformer is plugged in.
- Check to make sure the input voltage is 12-24V.
- Check to make sure that the main power cord is properly connected to the transformer.

If some of the lights are not working properly:

- Check the wiring, make sure that all connections between the lights and the main power cord are properly tightened.
 - Check the connectors, if any, make sure that connectors work correctly.
- If the lights still do not work after several adjustments, please contact our customer service as soon as possible.

CARE AND MAINTENANCE

- Before attempting to clean the fixture, turn off the power by unplugging the transformer from the outdoor GFCI receptacle.
- DO NOT USE ANY CLEANERS THAT CONTAIN CHEMICALS, SOLVENTS OR HARSH ABRASIVES.