

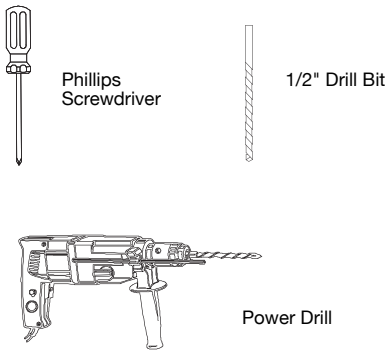
LED Internal Panel Light Installation Instructions

WARNING:

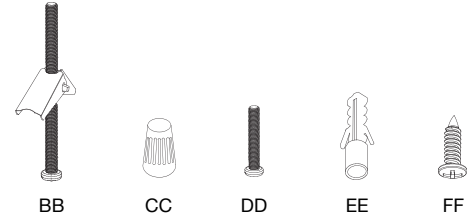
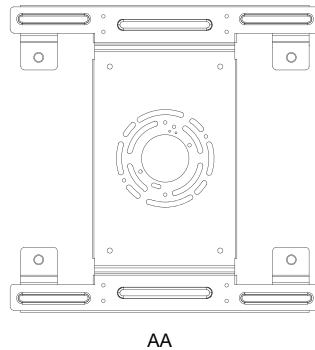
- Luminaire must be installed, checked and repaired by an authorized electrician.
- This product must be installed in accordance with the applicable installation code by a person familiar with the construction and operation of the product and the hazards involved.
- For proper operation, make sure to connect the luminaire to the proper voltage and install it according to these instructions.
- For safety purposes, cut off the power and allow the luminaire to cool before installing or removing it.

- Don't install the panel light to an unstable ceiling or near combustible materials.
- Cut off the power if there are any unexpected occurrences.
- Do not alter or modify the luminaire or change any of the components.
- Do not use the luminaire under conditions of direct sunlight, humidity, fog, rain, corrosive gas, dust, or liquid.

TOOLS REQUIRED



HARDWARE REQUIRED



PART	DESCRIPTION	PART
AA	Mounting Plate	1
BB	3/16" Toggle Bolts	4 or 2
CC	Wire Nuts	3
DD	Screws #8/32 x 1"	2
EE	Inflation Hose	4 or 2
FF	ST4.2x30 Self-Tapping Screw	4 or 2

INSTALLATION

Fig. 1 Identify the Wires

Turn OFF the main power at the circuit breaker before installing the fixture
 Identify the wiring:
 BLACK- Line Voltage
 WHITE- Neutral
 GREEN- Ground

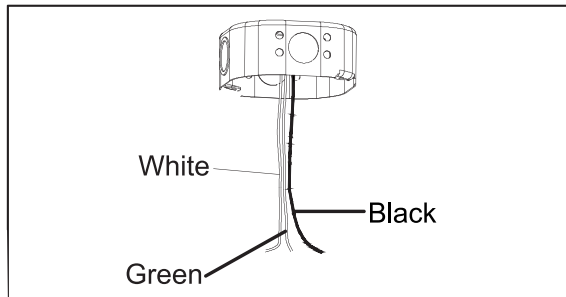


Fig. 2 Attaching the Mounting Plate

Attach the mounting plate (AA) to the junction box using the two #8/32 x 1 in. screws (DD) provided.
 Align the mounting plate in the direction you want the fixture to be aligned. Once the toggle bolts are installed, you cannot change the orientation.

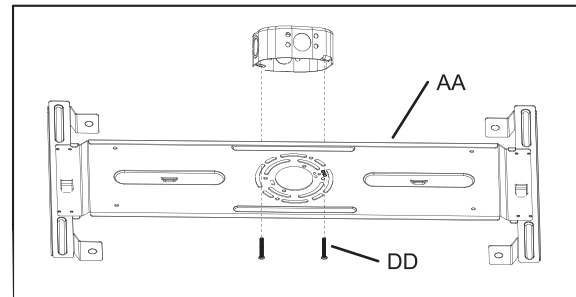


Fig. 3 Positioning the Toggle Bolts

Using the mounting plate (AA) as a guide, mark the position of the holes on the ceiling or wall where the toggle bolts will be placed.

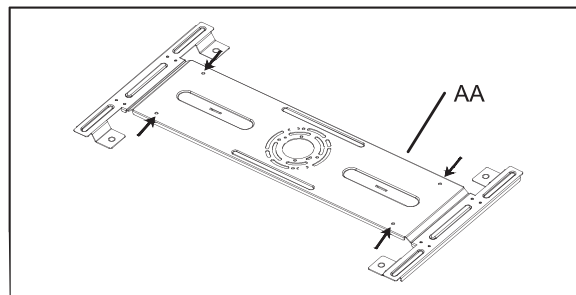


Fig. 4 Installing the Toggle Bolts

Remove the mounting plate (AA) from the junction box. Drill four holes where marked using a 1/2 in. drill bit. Remove the wings from the 3/16 in. toggle bolts (BB). Insert a screw (BB) through the front of the mounting plate (AA) and reattach the wing to the screw (BB). Repeat for all four toggle bolts. Or fixed on the ceiling with (EE&FF).

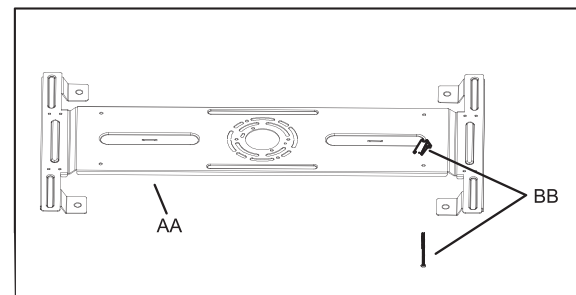



Fig. 5 Re-Attaching the Mounting Plate

Feed the junction box wires through the center of the mounting bracket plate(AA) hole. Re-attach the mounting plate(AA) by inserting the four toggle bolts(BB) into the drilled holes. Once the wings (BB) are through and expanded, pull the screw (BB) downward to engage and tighten

 CAUTION: When installing the panel on a vertical surface, the mounting plate must be installed in such a way that the mounting tabs are oriented in a vertical position. If the mounting tabs are not in this position the fixture will not be properly secured and could fall resulting in serious injury.

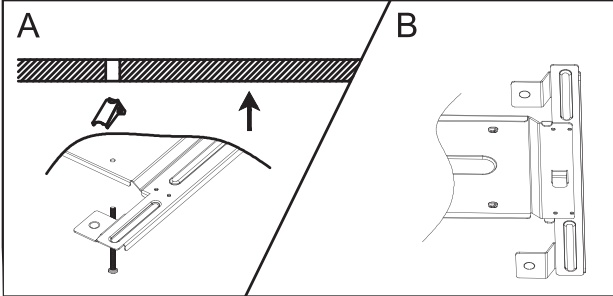



Fig. 6 Connecting the Panel Light

Hook the support wire from the fixture on the mounting bracket plate.

 CAUTION: Care must be taken not to have excess wires outside the junction box to avoid pinching wires. This may cause a short and could lead to a potential hazard.

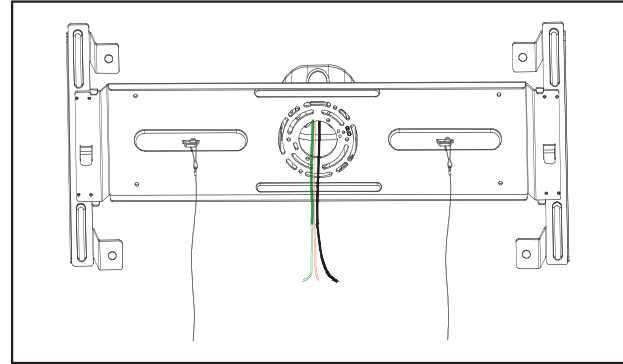



Fig. 7 Installing the Panel Light

Connect the three wires coming from the fixture to the junction box wires (Black- line voltage / White- Neutral / Green-Ground)

 NOTE: Please select the preferred color temperature by using the switch behind the fixture. Refer to the "Changing Color Settings" on the next page.

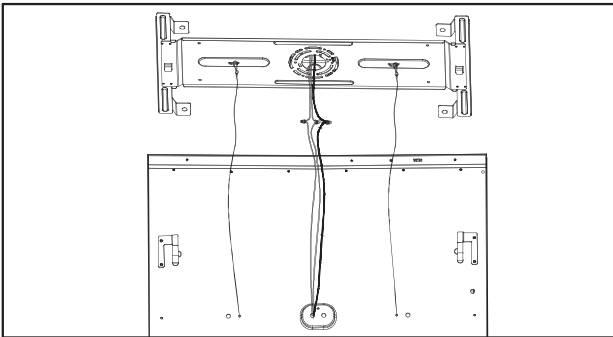


Fig. 8 Attaching the Panel Light

Feed the junction box and fixture wires through the mounting bracket plate's center hole. Raise the fixture to the direction of the arrow on the swing arm.

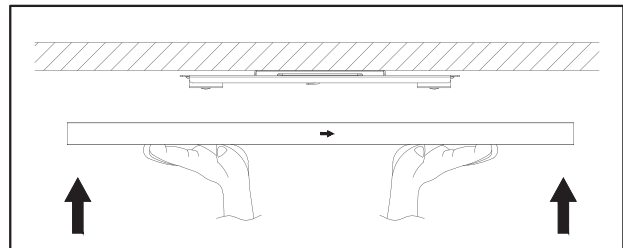


Fig. 9 Securing the Panel Light

Once the fixture has been raised and is flush to the ceiling, lock the fixture by moving according to the direction indicated by the panel light.

