

Project: _____ Part #: _____
 Type: _____

Post Top Fixture: Bolt-Line

Foldable & Compact Design

Wall Packs



WATT	LUMENS
35	4,700
50	7,400
75	10,200
100	13,900
125	17,400
150	20,400

Detail Specifications:

- Finish: Bronze, Custom finishes available
- IP Rating: IP65 Wet Location
- Beam Angle: Type 5 Standard
- Chip: SMD 2835, R9 >50, CRI >80
- Operating Temperature: -4° - 124° F
- Lens: Clear Ribbed
- Average life (L70) of 70,000 hours
- EPA:
 - 75W: 1.5
 - 150W: 1.9

Applications:

- Walkways & Pathways
- Parking Lots
- Outdoor Corridor
- Commercial Lighting

Product Information:

- Sturdy die-cast aluminum housing finished with corrosion free powder coat
- Full Cut-Off Dark Sky Compliant
- Compact design for easier installation and shipping
- Instant-On to full brightness
- Select-n-Switch Technology: 3-CCT + 3-Power Selectable

Driver Options:

- UNV: 120-277V 0-10V Dimmable
- HV: 277-480V 0-10V Dimmable
- THD: <20% (+/-5% tolerance), PF >0.9, 50/60Hz

Mounting & Installation:

- Mounts onto 2-3/8-3" tenon

Certifications:

- UL Listed for USA and CA
- DLC Premium Listed
- ROHS Compliant
- Approved for CA T24
- 5 Year Limited Warranty
- FCC CFR 47, GCC Part 15, Subpart B:2017

Series	Finish ¹	Voltage ²	Photocell	Sensor	EMB
LED-PST-3P75-TRI 35/50/70W	BZ Bronze	UNV 120-277V	(Blank) No	(Blank) No Sensor	(Blank) No Emergency
LED-PST-3P150-TRI 100/125/150W	BL ¹ Black	HV 277-480V	PC Photocell	BMS Microwave Bi-Level Motion + Daylight Sensor	EMB 90 minute emergency backup
	WH ¹ White				
	GRY ¹ Gray				
	CS ¹ Custom Color				

1. Standard quickship is bronze. Other colors are custom finishes
 2. Standard quick ship is UNV. HV is made to order locally

Specs and model numbers are subject to change with or without notice.

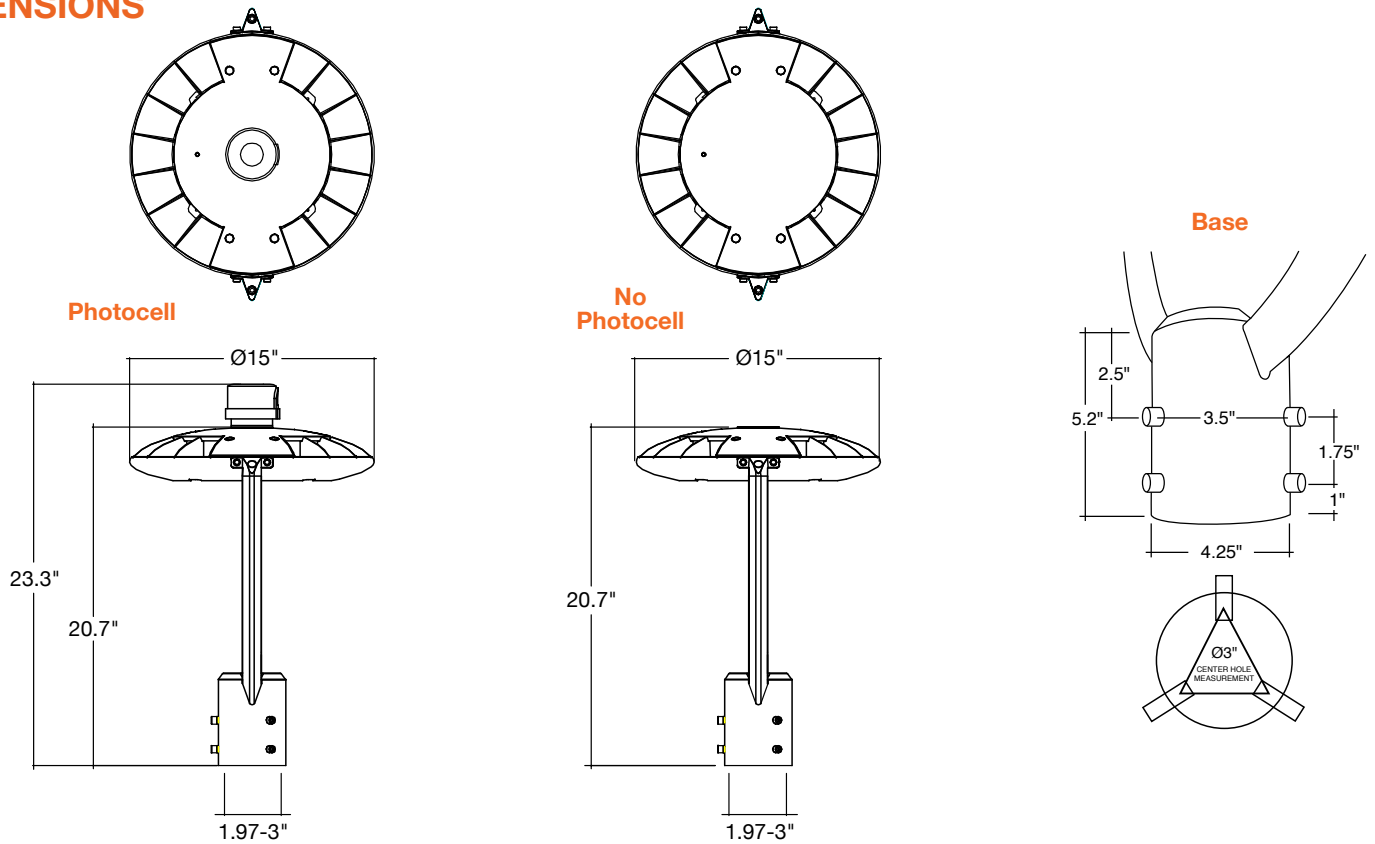
Post Top Fixture: Bolt-Line

Foldable & Compact Design

FEATURES



DIMENSIONS



Post Top Fixture: Bolt-Line

Foldable & Compact Design

ACCESSORIES



3 Pin Photocell
347-480V
PC-TWL-HV



3 Pin Photocell
120-277V
PC-TWL-UNV



3 Pin
Receptacle
PC-TWL-RC



PC Short Cap
PC-SHORT-CAP

Model	Voltage	Watts	Lumens	Color	CRI
LED-PST-3P75W-TRI-BZ-UNV	120-277V	35/50/75w	4,700/7,400/10,200	30/40/50k	>80
LED-PST-3P150-TRI-BZ-UNV	120-277V	100/125/150w	13,900/17,400/20,400	30/40/50k	>80

Accessory Model	Description
PC-TWL-HV	LC4535INT 3PIN Locking Type Thermal Photo Control 480V Intermatic
PC-TWL-UNV	JL207C 3PIN Locking Type Thermal Photo Control 120-277V Intermatic
PC-TWL-RC	Twist Lock photocell receptacle
PC-SHORT-CAP	3 Pin Shorting Cap