

Installation Instructions for LED Post Top

CAUTION:

1. Can not use the electric generator to test the LED light .
2. Please abide by related country, regional and local law and regulations when fixture is installed.
3. Please turn off the power before installation or maintenance.
4. Proper earth grounding is required to ensure safety.
5. Make the lighting facing downward vertically after installation

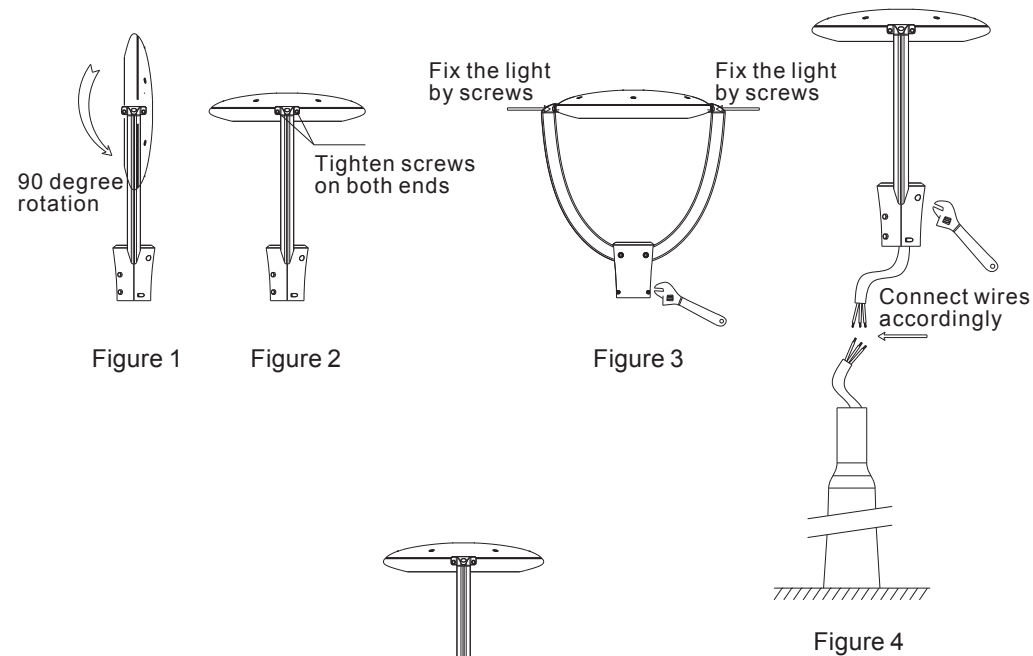
Notice:

1. To avoid possibility of electrical shock or fire, the installation personnel must have professional electric knowledge.
2. Please wear gloves to avoid injury before installation.
3. If any smoke or spark of the wire happened, please turn off the power immediately and notify relevant personnel.

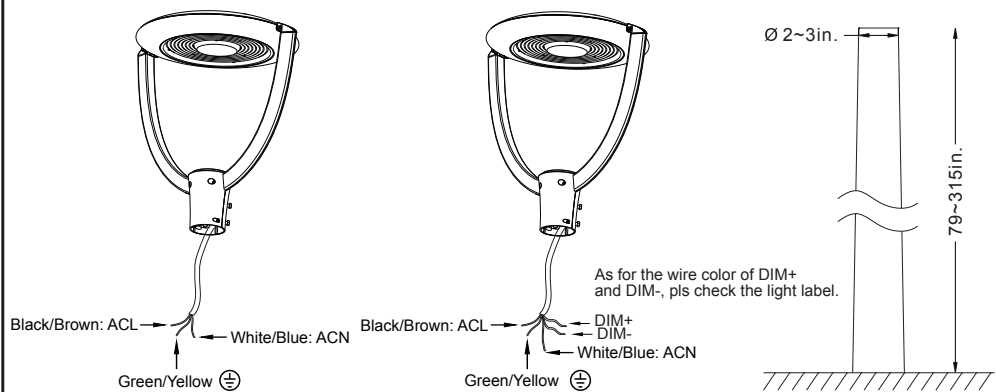
ATTENTION:

1. Please check if there is any damage during shipping. If so, please contact manufacturer timely.
2. Please read the installation instruction carefully to check whether all the accessories are complete. After confirmation, Install the fixture according to installation steps.

1. Rotate the light body 90 degree to make sure light facing downward. (Figure 1)
2. Tighten screws on both sides of the bracket to fix the light body. Installation is finished when the light body is fixed without shaking. (Figure 2)
3. Loosen the screws by wrench. (Figure 3)
4. Connect the light to utility power according to the wiring standard, and make sure there is a good joint protective measures. (Figure 4)
5. Install the light to the pole, adjust the viewing angle, then tighten the screw by wrench. (Figure 5)

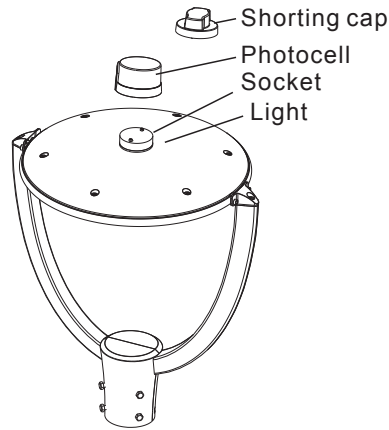


Wiring Diagram & Mounting Condition Diagram:



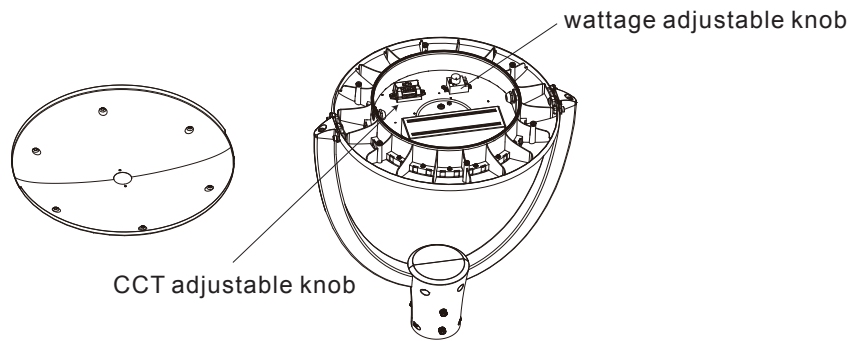
Instructions for Photocell

When the photocell function is required, photocell should be installed on the back of lamp; When it's not required, shorting cap should be installed on the back of light.

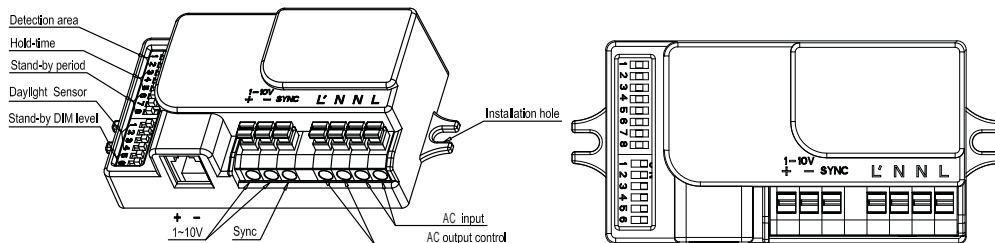


Wattage and CCT adjustment under Top Cover:

Open top cover to find the CCT and wattage adjustable knob, 1 stands for 100% power 150 W, and 2, and 3, stand for 125W, and 100W.



Structure of motion sensor



		1	2	
ON ↑	I	ON	ON	100%
	II	ON	-	75%
	III	-	ON	50%
	IV	-	-	25%

		3	4	5	
ON ↑	I	ON	ON	ON	5S
	II	-	ON	ON	30S
	III	ON	-	ON	90S
	IV	-	-	ON	3min
	V	ON	ON	-	20min
	VI	-	-	-	+∞

		6	7	8	
ON ↑	I	ON	ON	ON	0S
	II	-	ON	ON	5S
	III	ON	-	ON	5min
	IV	-	-	ON	10min
	V	ON	ON	-	30min
	VI	-	ON	-	1h
	VII	-	-	-	+∞

		1	2	
ON ↑	I	ON	ON	50%
	II	-	ON	30%
	III	ON	-	20%
	IV	-	-	10%

		3	4	5	6	
ON ↑	I	ON	ON	ON	ON	5Lux
	II	-	ON	ON	ON	15Lux
	III	ON	-	ON	ON	30Lux
	IV	-	-	ON	ON	50Lux
	V	ON	ON	-	ON	100Lux
	VI	ON	ON	ON	-	150Lux
	VII	-	-	-	-	Disable

Detection Area

Detection area can be reduced by selecting the combination on the DIP switches to fit precisely each application.

Factory Setting: I

Hold Time

Refers to the time period the light remains at 100% illumination after no motion detected.

Factory Setting: VI

Stand-by Period

Refers to the time period the light remains at low level before it completely switches off in the long absence of people.

When set to disable mode, the low light is maintained until motion is detected.

Factory Setting: I

Stand-by Dimming Level

The low light level you would like to have after the hold time in the long absence of people.

Factory Setting: I

Daylight Sensor

The sensor can be set to only allow the light to illuminate below a defined ambient brightness threshold.

When set to disable mode, the daylight sensor will switch on the light when motion is detected regardless of ambient light level. 100lux, 50lux: Twilight operation, 15lux, 5lux: darkness operation only. Note the daylight sensor is active only when light totally switches off.

Factory Setting: VII