

# Slime-Line: Round Canopy Fixtures

## 3-CCT & 3-Power Selectable



### Detail Specification:

- Finish: White or Bronze
- IP Rating: Wet Location (IP65)
- Beam Angle: 150°
- Chip: SMD 2835, R9 >50, CRI >80
- 3 Step MacAdam Ellipses
- BUG Rating
  - 3P55: B3-U3-G2
  - 3P100: B3-U3-G3
- Operating Temperature: -4° - 124° F
- Lens: Clear Ribbed
- Average life (L70) of 50,000 hours

### Applications:

- Utility & Storage
- Garage & Parking Structures
- Dock and loading
- Soffits
- Outdoor corridor
- Commercial and Industrial

### Product Information:

- Sturdy die-cast aluminum housing finished with corrosion free powder coat
- Four 1/2" knockouts: 1 one each side for convenient installation
- Twist-C Control: Control ready receptacle built into the fixture
- Select-n-Switch Technology: 4-CCT + 3-Power Selectable

### Driver Options:

- UNV: 120-277V 0-10V Dimmable
- THD: <15% (=/-5% tolerance), PF >0.9, 50/60Hz
- Isolated Driver
- Flicker Free

### Mounting & Installation:

- 30 or 40 J-Box Surface Mount
- 3/4" Pendant Mount

### Certifications:

- UL Listed for USA and CA
- DLC Premium Listed
- Approved for CA T24
- 5 Year Limited Warranty
- FCC CFR 47, GCC Part 15, Subpart B:2017

WATT	LUMENS
22	3,190
30	4,350
38.5	5,582
47	6,815
55	7,975
60	8,700
70	10,150
80	11,600
90	13,050
100	14,500



Motion Sensor



HB03R Remote Control

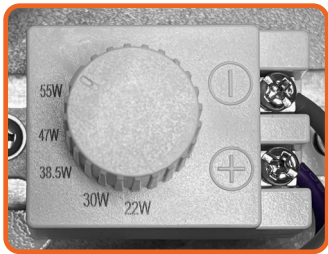
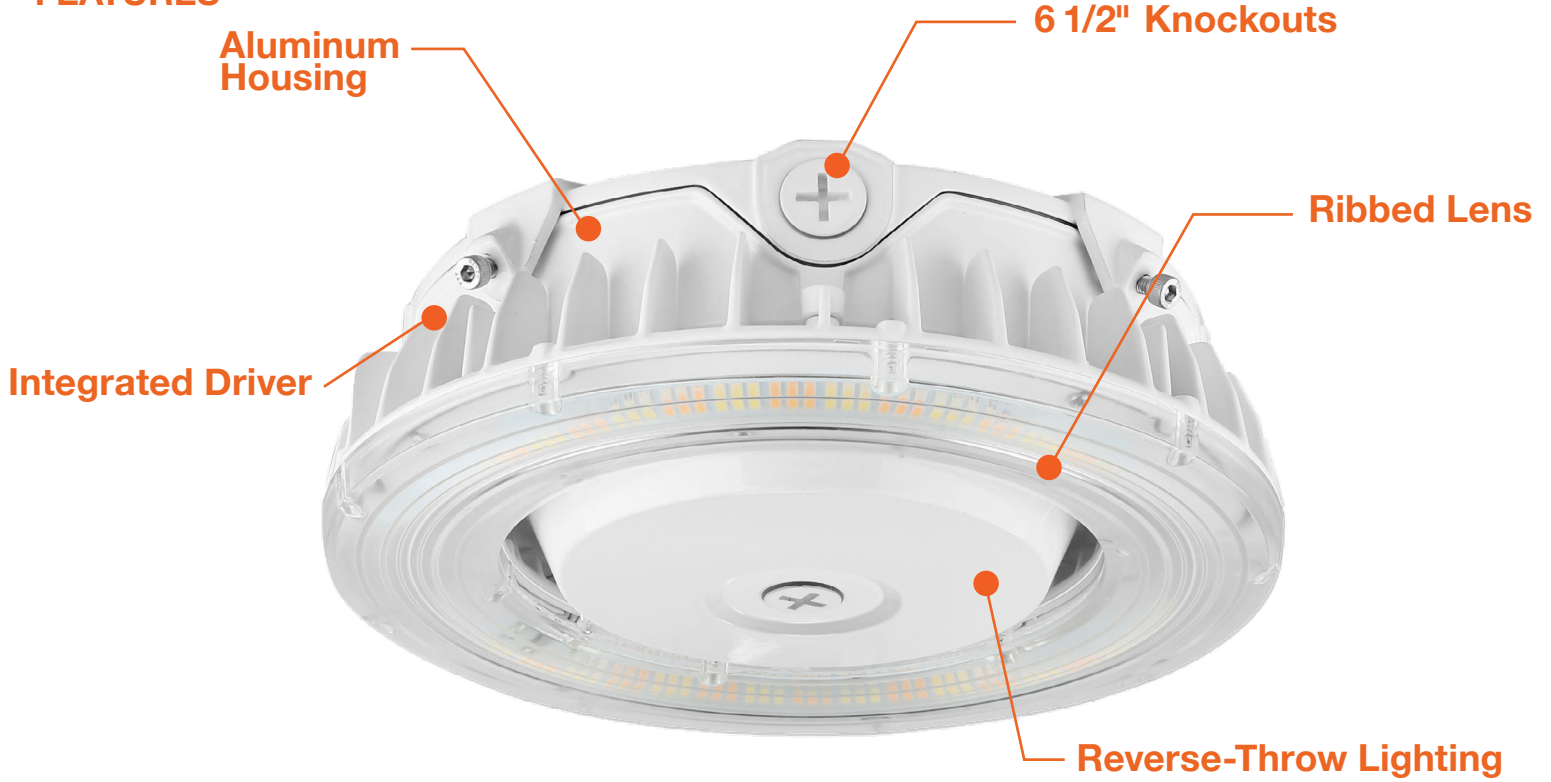
Series	Wattage	CCT	EMB	Optional Accessories (Order Separately)
<b>LED-RCP -</b> Round Slim Canopy Light	<b>5P55</b> 22/30/38.5/47/55W 120-277V	<b>- TRI</b> 30/40/50K	<b>-</b> <b>(Blank)</b> No Emergency Back-Up	<b>Sensor Remote</b>  <b>HB01DMS-A</b> Bi-Level Motion + Day- light Sensor
	<b>5P100</b> 60/70/80/90/100W 120-277V		<b>EMB</b> 90 Min. Emergency Back-up	<b>HB03R</b> Remote for HB01DMS-A

Specs and model numbers are subject to change with or without notice.

# Round Canopy Light: Slim-Line

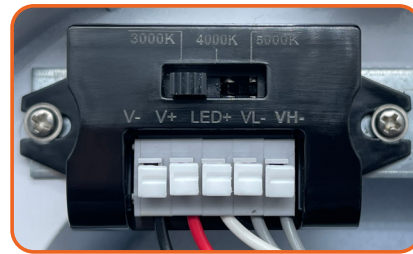
## 3-CCT & 3-Power Selectable

### FEATURES



### 5-Watt Selectable

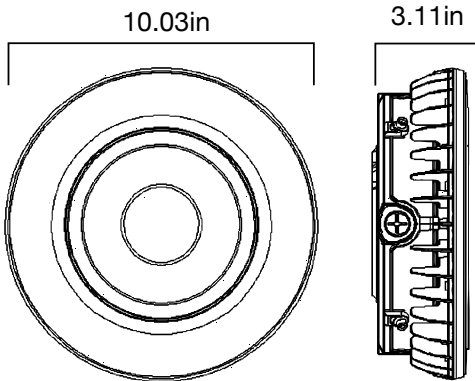
Select between 5 different wattages



### 3-CCT Selectable

Select between 3 different colors

### DIMENSIONS



**HB03R**  
Controller



**HB01DMS-A**  
Sensor

Model	Voltage	Watts	Lumens	Color	CRI
LED-RCP-5P55W-TRI-WH	120-277V	22/30/38.5/47/55w	145lm/w	30/40/50k	>80
LED-RCP-5P55W-TRI-BZ	120-277V	22/30/38.5/47/55w	145lm/w	30/40/50k	>80
LED-RCP-5P100W-TRI-WH	120-277V	22/30/38.5/47/55w	145lm/w	30/40/50k	>80
LED-RCP-5P100W-TRI-BZ	120-277V	22/30/38.5/47/55w	145lm/w	30/40/50k	>80

### ACCESSORIES

Accessory Model	Description
HB03R	Remote for HD Sensors
HB01DMS-A	Motion+Daylight Sensor (HB03R Remote Req)

### Mounting:

- Easy surface mount installation with universal mounting plate
- Easy Ø 3/4" pendant mount/stem installation
- Pre-wired circuit wiring built in (3 in / 3 out)
- Ø 3/4" Knockouts located on 4 sides