



**Please read and understand this entire manual before attempting to assemble, operate or install the product.**

**WARNING:** Avoid fire or electric shock. Follow installation instructions carefully. Risk of fire or electric shock. LED downlight installation requires knowledge of luminaire electrical systems. If not qualified, do not attempt installation. Suitable for damp locations.

Install this kit only in luminaires that have the construction features and dimensions shown in the photographs and/or drawings and where the input rating of the retrofit kit does not exceed the input rating of the luminaire. Wear rubber-soled shoes and work on a sturdy ladder. Ground fixture to avoid potential electrical shock. Do not make or alter any open holes in an enclosure of wiring or electrical components during kit installation. To prevent wiring damage or abrasion, do not expose wiring to edges of sheet metal or other sharp objects.

**CAUTION:** Turn off the power at fuse or circuit breaker box before installation and maintenance to avoid electric shock. This fixture should be used on 120Volt fused circuits only. Fixture must be installed according to National Electric Code and local building codes. If you are unsure about wiring consult a qualified electrician. **THIS FIXTURE BODY IS ONE PIECE, DO NOT DISASSEMBLE OR MAKE ALTERATIONS.** Not to be used for emergency lighting.

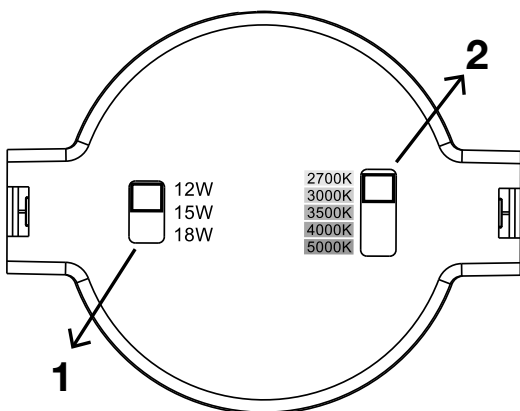
**Operation is subject to the following two conditions: (1) this device may not cause harmful interference, and (2) this device must accept any interference received, including that may cause undesired operation.**

Retain these instructions for future maintenance reference.

## Removing LED Luminaires:

1. With fingertips, pull down firmly on trim ring until fixture stops.
2. Squeeze torsion springs together to remove LED fixture.
3. Disconnect fixture from socket adapter
4. Unscrew socket adapter from recessed can.

## 5-CCT & Power Adjustment



### Switch 1

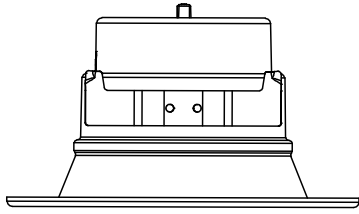
Selectable Power

- 4" Selectable: 8W / 10W / 12W
- 6" Selectable: 12W / 15W / 18W

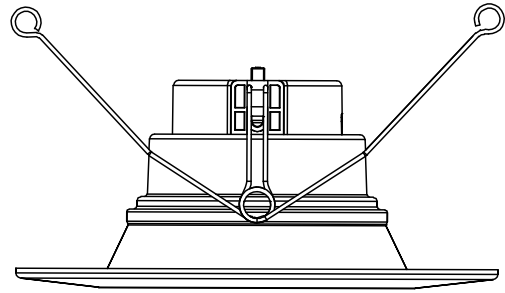
### Switch 2

5-CCT Selectable

2700K / 3000K / 3500K / 4000K / 5000K



4"



5" / 6"

### Install Into Housings:

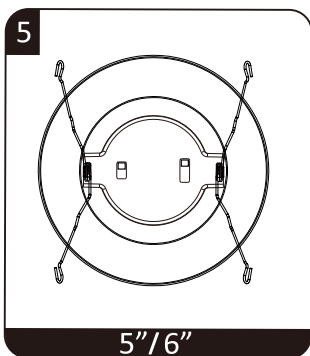
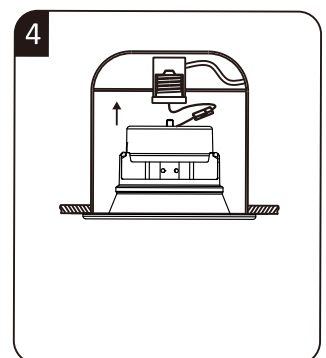
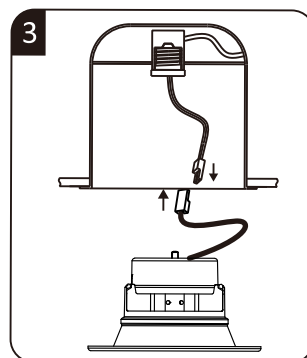
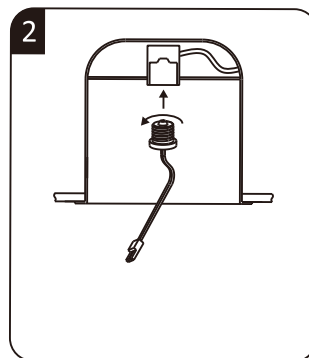
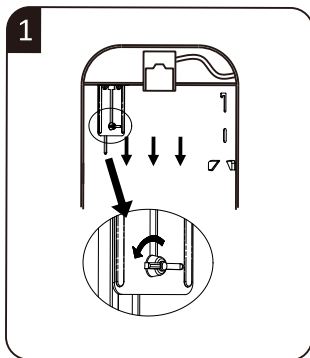
1. Loosen wing nut inside can, slide socket bracket completely up and tighten wing nut. (Fig. 1)
2. Screw socket adapter into existing can socket. (Fig. 2)
3. Plug female connector of fixture into connector of socket adapter assembly. (Fig. 3 & Fig. 7)

### For 4" Retrofit:

4. Squeeze friction blades to light body (Fig. 4)  
Tuck all wires into can and carefully push retrofit into can. To provide enough room in shallow cans, carefully position socket adapter wiring to side of LED driver prior to inserting retrofit trim into the can.

### For 5/6" Retrofit:

5. Squeeze both torsion spring arms together and insert into torsion spring slots (or receiver brackets) of can (Fig. 6)



5" / 6"

