

Directional Retrofit High Bay Lamp

3-CCT + 3-Power Selectable

LED Bulbs



The EnVision LED high bay directional HID replacement lamp allows the end user to retrofit existing UFO high bays while keeping the traditional housings. The lamp includes an internal driver with a 6kV surge protector inside. Enjoy our latest upgraded models with 3-CCT & 3-Power technology.

Detail Specifications

- IP Rating: Wet Location IP64
- Beam Angle: 100°
- Base: EX39
- Chip: SMD 2835, R9 >50, CRI >80
- Operating Temperature: -40° - 122° F
- Average life (L70) of 50,000 hours

Applications:

- Indoor Lighting
- HID Lamp Replacement
- High Bay Retrofit
- Commercial and Industrial

Product Information:

- Aluminum housing for heat dissipation
- Suitable for use in existing fixtures
 - Ballast bypass required
- Connect directly to 120-277V power
- Instant-On to full brightness
- Select-n-Switch Technology: 3-CCT + 3-Power Selectable
- Twist-C Control: Control ready receptacle built into each fixture

Driver Options:

- 120-277V
- 0-10V Dimmable
- THD: <20% (+/-5% tolerance), PF >0.9, 50/60Hz

Mounting & Installation:

- EX39 socket
- Ballast bypass required

Certifications:

- UL Listed for USA and CA
- DLC Listed
- 5 Year Limited Warranty
- FCC CFR 47, GCC Part 15, Subpart B:2017

3P120

WATT	LUMENS
80	12,800
100	16,000
120	19,200

3P160

WATT	LUMENS
120	19,200
140	22,400
160	25,600

Series

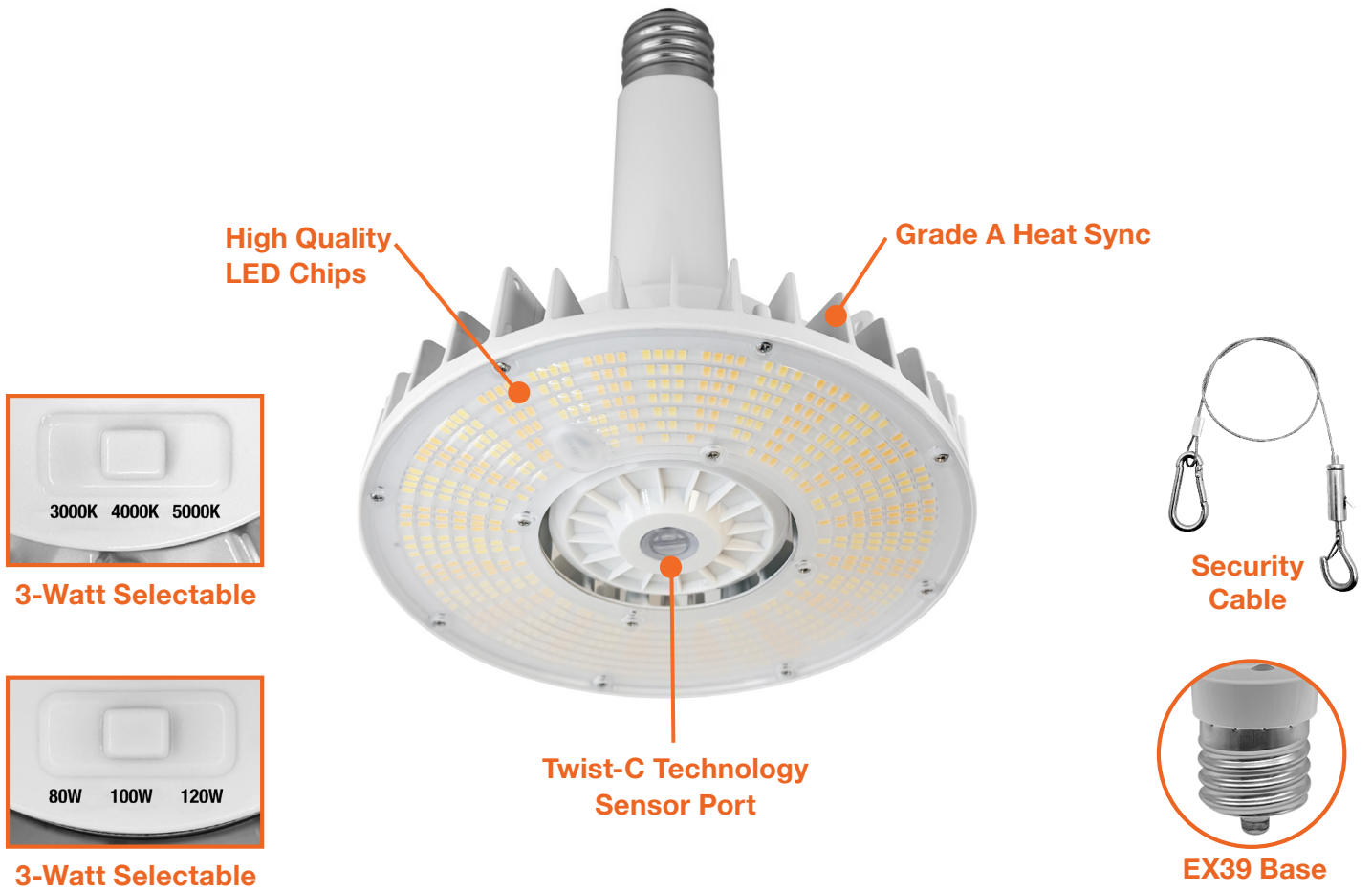
LED-RHBL-3P120-TRI-EX39
 120/100/80w
LED-RHBL-3P160-TRI-EX39
 160/140/120w

Sensor Options

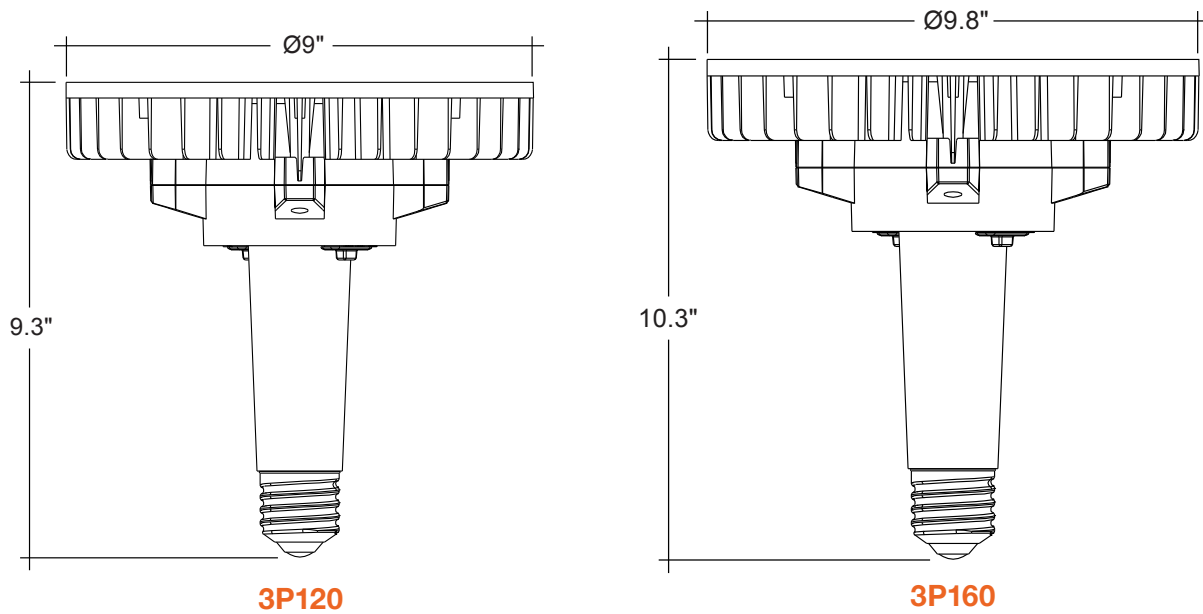
S-TWC-PIR-1
 PIR Bi-Level Motion
 + Daylight Sensor
S-TWC-PIR-BT
 Bluetooth Sensor
 DLC NLC

Directional Retrofit High Bay Lamp

3-CCT + 3-Power Selectable



DIMENSIONS



Directional Retrofit High Bay Lamp

3-CCT + 3-Power Selectable

ACCESSORIES

Model	Voltage	Watts	Lumens	Color	CRI
LED-RHBL-3P120-TRI-EX39	120-277V	120/100/80w	19,200/16,000/12,800	30/ 40/50k	>80
LED-RHBL-3P160-TRI-EX39	120-277V	160/140/120w	25,600/22,400/19,200	30/ 40/50k	>80



S-TWC-PIR-1
S-TWC-PIR-BT

SENSORS

Model	Description
S-TWC-PIR-1	PIR Bi-Level Motion + Daylight Sensor
S-TWC-PIR-BT	Bluetooth Sensor DLC NLC