

SnapTrim-Line: 2" Floating Gimbal

Canless Series

Canless



Detail Specification:

- IP54 Wet Location Rated
- Beam Angle: 38°
- Chip: COB Chip, R9 >50, CRI >90
- 3 Step MacAdam Ellipses
- Operating Temperature: -40° - 114° F
- Lens: Clear COB
- Average life (L70) of 50,000 hours

Applications:

- General Recessed Lighting
- Residential & Multifamily
- Office and Meeting Rooms
- Education, Healthcare, Retail, Hospitality

Product Information:

- 5-CCT Selectable: 27/30/35/40/50K
- Standard round trim included
- Metal housing and trim for better heat dissipation
- Optional emergency backup available: delivers full lumens in EM mode
- SnapTrim Canless: Spring clips with remote j-box eliminates can

Driver Options:

- 120V Triac Dimmable
- Built in 2.5Kv Surge Protector
- Flicker Free

Mounting & Installation:

- Cut Out Dimension:
- 2": 2-3/4"
- Optional new construction plate available
- This fixture does not fit into a recessed can
- No housing needed in remodel applications, tension clips mount into 1/2" to 1.5" thick ceiling
- Can be removed from below the ceiling for service or replacement
- Pre-wired junction box with circuit wiring built in (3 in/ 3 out)

Certifications:

- ETL Listed for USA and CA
- Energy Star Certified
- CA Title 24 JA8-2022 CEC Listed
- 5 Year Limited Warranty
- FCC CFR 47, GCC Part 15, Subpart B:2017
- IC Rated and ASTM-E283 Air-Tight

Series

- LED-SL-FLT-2-5W-5CCT-WH**
2" 5W 400 Lumens White Finish
- LED-SL-FLT-2-5W-5CCT-BLK**
2" 5W 400 Lumens Black Finish

Emergency

- (Blank)**
No
Emergency
Backup
- EMB**
Emergency
Backup

Optional Accessories (Order Separately)

New Construction Plates	Extension Cables	Emergency Backup ¹ (field install)
CUNV-NC-ICAT-7H 1, 2, 3, 3.5, 4, 5, 6" w/ hanging bars	JBX-EXT-6'-2PIN 6' Extension	LED-EMB-15W -HV-0/10V-2P Up to 14W fixtures
CUNV-JBX-RI-XL 2, 3, 3.5, 4, 5, 6" Rough in plate. Extra long.	JBX-EXT-10'-2PIN 10' Extension	LED-EMB-25W -HV-0/10V-2P Up to 24W fixtures

1. Field installable.
Lasts 90 minutes.

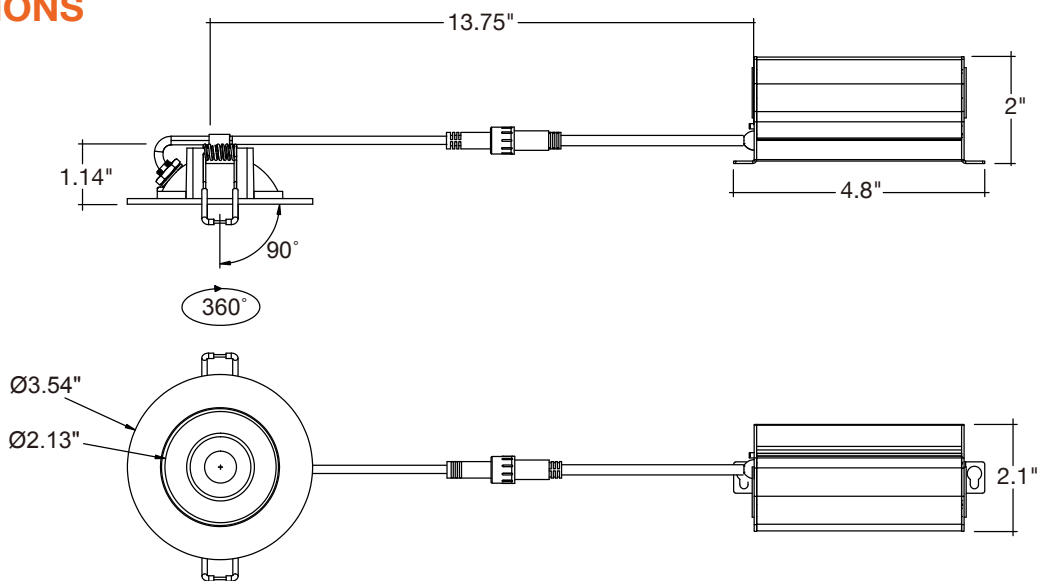
Specs and model numbers are subject to change with or without notice.

Floating Adjustable: SnapTrim-Line Canless Series

FEATURES

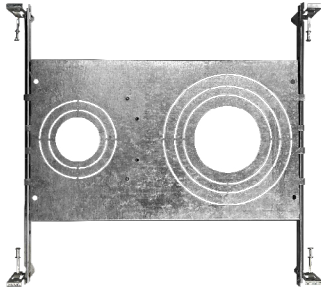


DIMENSIONS

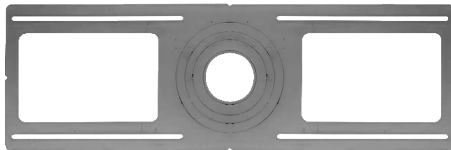


Floating Adjustable: SnapTrim-Line Canless Series

ACCESSORIES



CUNV-NC-ICAT-7H
Universal Pre-Mounting Plate
13 7/8" x 15 1/8"



CUNV-JBX-RI-XL
7" x 26"



JBX-EXT
6' / 10' Extension Cable



LED-EMB-15W-HV-0/10V-2P
LED-EMB-25W-HV-0/10V-2P

Fixture Model	Voltage	Watts	Lumens	Color	CRI
LED-SL-FLT-2-5W-5CCT-WH	120V	5W	400	27/30/35/40/50k	>90
LED-SL-FLT-2-5W-5CCT-BLK	120V	5W	400	27/30/35/40/50k	>90

CONSTRUCTION PLATES

Accessory	Description
CUNV-NC-ICAT-7H	1", 2", 3", 3.5", 4", 5", 6" Universal Pre-Mounting New Construction Plate (Round fixtures only)
CUNV-JBX-RI-XL	2", 3", 3.5", 4", 5", 6" Rough in plate. Extra long.

EXTENSION CABLE

Accessory	Description
JBX-EXT-6'-2PIN	6" Extension Cable
JBX-EXT-10'-2PIN	10" Extension Cable

EMERGENCY BACKUP

Accessory	Description
LED-EMB-15W-HV-0/10V-2P	Up to 14W fixtures
LED-EMB-25W-HV-0/10V-2P	Up to 24W fixtures

TESTED COMPATIBLE DIMMERS

Other dimmers may be compatible but have not been tested. Please contact us for more information.
TRIAC/ELV Dimmers

Lutron	Leviton	Legrand	Cooper
AYCL-153P	6633	ADTP703TU	9540
DV-600PR	6674	H703PTW	DAL06P
DVCL-153P	6602		
MACL-153MH	IPL06		
MRF2-6CL			
D-600P			
NTELV-300P			
S-600P			
CT-600P			
CTCL-153P			
TG-600P			
TCCL-153P			