

# SnapTrim-Line: 4" Floating Gimbal

## Fire Rated

Canless



### Detail Specification:

- Fire Rated: 2 hour fire rating
- IP54 Wet Location Rated
- Beam Angle: 38° standard, other options available
- Chip: COB Chip, R9 >50, CRI >90
- 3 Step MacAdam Ellipses
- Operating Temperature: -40° - 114° F
- Lens: Clear COB
- Average life (L70) of 50,000 hours

### Applications:

- General Recessed Lighting
- Residential & Multifamily
- Office and Meeting Rooms
- Education, Healthcare, Retail, Hospitality

### Product Information:

- 5-CCT Selectable: 27/30/35/40/50K
- Standard round trim included
- Metal housing and trim for better heat dissipation
- Optional emergency backup available: delivers full lumens in EM mode
- SnapTrim Canless: Spring clips with remote j-box eliminates can

### Driver Options:

- 120V Triac Dimmable
- Built in 2.5Kv Surge Protector
- Flicker Free

### Mounting & Installation:

- Cut Out Dimension:  
- 4": 4-1/4"
- Optional new construction plate available
- This fixture does not fit into a recessed can
- No housing needed in remodel applications, tension clips mount into 1/2" to 1.5" thick ceiling
- Can be removed from below the ceiling for service or replacement
- Pre-wired junction box with circuit wiring built in (3 in/ 3 out)

### Certifications:

- ETL Listed for USA and CA
- Energy Star Certified
- CA Title 24 JA8-2022 CEC Listed
- 5 Year Limited Warranty
- FCC CFR 47, GCC Part 15, Subpart B:2017
- IC Rated and ASTM-E283 Air-Tight
- Complies with UL 263, ASTM E119, CAN ULC S101

Series	Emergency	Beam Angle
<b>LED-SL-FLT-4R-9W-5CCT-FR-WH -</b> 4" 9W 700 Lumens • White Finish	<b>(Blank)</b> No Emergency Backup <b>EMB</b> Emergency Backup	<b>(Blank)</b> 38° Degree <b>24D</b> 24° Degree <b>60D</b> 60° Degree

Optional Accessories (Order Separately)			
New Construction Plates	Extension Cables	Emergency Backup <sup>1</sup> (field install)	Optics
<b>CUNV-NC-ICAT-7H</b> Universal Plate with hanging bars (Round fixtures only)	<b>JBX-EXT-6'-2PIN</b> 6' Extension <b>JBX-EXT-10'-2PIN</b> 10' Extension <b>JBX-EXT-12'-2PIN</b> 12' Extension	<b>LED-EMB-15W -HV-0/10V-2P</b> Up to 14W fixtures <b>LED-EMB-25W -HV-0/10V-2P</b> Up to 24W fixtures	<b>OPTIC-35X17-24D</b> Field Installable 24 Degree Lens for 2" <b>OPTIC-35X17-60D</b> Field Installable 60 Degree Lens for 2" <b>OPTIC-63X22-24D</b> Field Installable 24 Degree Lens for 4" <b>OPTIC-63X22-60D</b> Field Installable 60 Degree Lens for 4"

1. Field installable. Lasts 90 minutes.

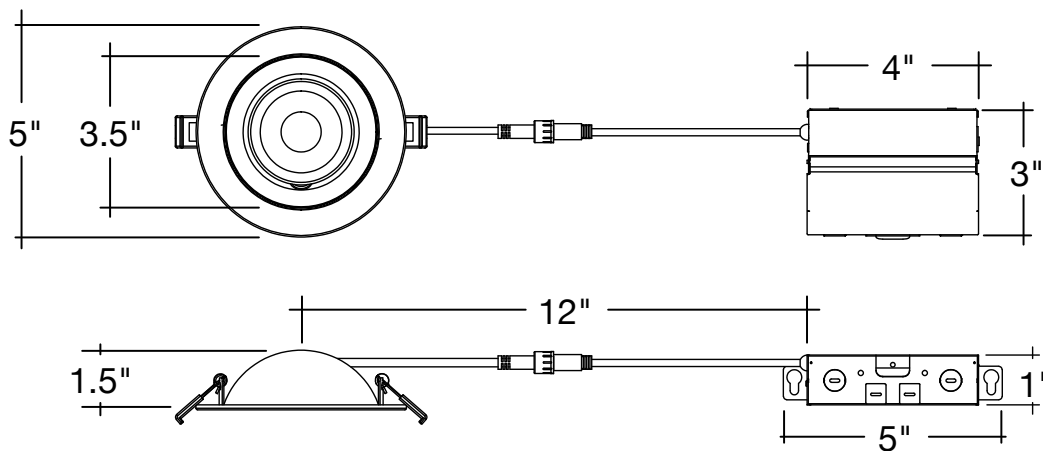
# SnapTrim-Line: 4" Floating Gimbal

Fire Rated

## FEATURES



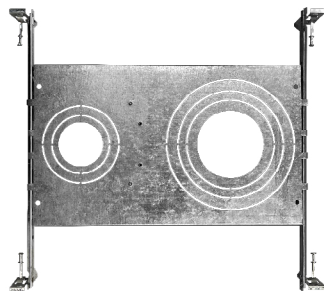
## DIMENSIONS



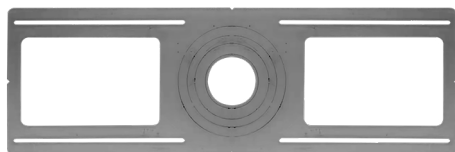
# SnapTrim-Line: 4" Floating Gimbal

## Fire Rated

### ACCESSORIES



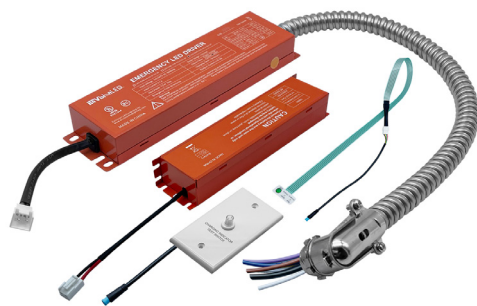
**CUNV-NC-ICAT-7H**  
Universal Pre-Mounting Plate  
13 7/8" x 15 1/8"



**CUNV-JBX-RI-XL**  
7" x 26"



**JBX-EXT**  
6' / 10' / 12' Extension Cable



**LED-EMB-15W-HV-0/10V-2P**  
**LED-EMB-25W-HV-0/10V-2P**



**OPTIC-3.5X17-24D**  
**OPTIC-3.5X17-60D**  
**OPTIC-63X22-24D**  
**OPTIC-63X22-60D**

Fixture Model	Voltage	Watts	Lumens	Color	CRI
LED-SL-FLT-4R-9W-5CCT-FR-WH	120V	9W	700	27/30/35/40/50k	>90

### CONSTRUCTION PLATES

Accessory	Description
CUNV-NC-ICAT-7H	1" 2"3" 3.5" 4" 5" 6" Universal Pre-Mounting New Construction Plate (Round fixtures only)
CUNV-JBX-RI-XL	Universal tough in plate Extra Long (Round fixtures only)

### EXTENSION CABLE

Accessory	Description
JBX-EXT-6'-2PIN	6" Extension Cable
JBX-EXT-10'-2PIN	10" Extension Cable
JBX-EXT-12'-2PIN	12" Extension Cable

### EMERGENCY BACKUP

Accessory	Description
LED-EMB-15W-HV-0/10V-2P	Up to 14W fixtures
LED-EMB-25W-HV-0/10V-2P	Up to 24W fixtures

### OPTICS

Accessory	Description
OPTIC-35X17-24D	Field Installable 24 Degree Lens for 2" model
OPTIC-35X17-60D	Field Installable 60 Degree Lens for 2" model
OPTIC-63X22-24D	Field Installable 24 Degree Lens for 4" model
OPTIC-63X22-60D	Field Installable 60 Degree Lens for 4" model

### TESTED COMPATIBLE DIMMERS

Other dimmers may be compatible but have not been tested. Please contact us for more information.  
**TRIAC/ELV Dimmers**

Lutron	Leviton	Legrand	Cooper
AYCL-153P	6633	ADTP703TU	9540
DV-600PR	6674	H703PTW	DAL06P
DVCL-153P	6602		
MACL-153MH	IPL06		
MRF2-6CL			
D-600P			
NTELV-300P			
S-600P			
CT-600P			
CTCL-153P			
TG-600P			
TCCL-153P			