

# Slim-Line: LED Slim Panel Downlights

120-277V 0-10V Dimmable

Canless Downlights



### Detail Specifications:

- Finish: White, Black, Bronze, Brushed Nickel, Custom
- Wet Location Rated
- Beam Angle: 110°
- Chip: SMD 2835, R9 >50, CRI >90
- 3 Step MacAdam Ellipses
- Operating Temperature: -40° - 114° F
- Lens: Frosted, non-yellowing
- Average life (L70) of 50,000 hours

### Applications:

- General Recessed Lighting
- Residential & Multifamily
- Office and Meeting Rooms
- Education, Healthcare, Retail, Hospitality

### Product Information:

- TRI: 30/40/50K
- 5-CCT Selectable: 27/30/35/40/50K
- Edge-lit technology: reduces glare with even light distribution
- Perfect for shallow ceilings. Only 1.5" space required.
- Metal housing and trim for better heat dissipation
- Standard white round trim included: optional trims available
- Optional emergency backup available: delivers full lumens in EM mode up to 25W
- SnapTrim Canless: Spring clips with remote j-box eliminates can

### Driver Options:

- 120-277V 0-10V Dimmable
- 120V Triac Dimmable Available (separate spec sheet)
- Built in 2.5Kv Surge Protector
- Flicker Free

### Mounting & Installation:

- Cut Out Dimensions
  - 4": 4-1/4"
  - 6": 6-1/4"
  - 8": 8-1/4"
  - 10": 11"
- Optional new construction plate available
- This fixture does not fit into a recessed can
- No can needed in remodel applications, tension clips mount into 1/2" to 1.5" thick ceiling
- Can be removed from below the ceiling for service or replacement
- Pre-wired junction box with circuit wiring built in (3 in/ 3 out)

### Certifications:

- ETL Listed for USA and CA
- Energy Star Certified
- CA Title 24 JA8-2022 CEC Listed
- 5 Year Limited Warranty
- FCC CFR 47, GCC Part 15, Subpart B:2017
- IC Rated and ASTM-E283 Air-Tight
- Complies with UL 263, ASTM E119, CAN ULC S101

|              |                 |
|--------------|-----------------|
| <b>TRI</b>   | 30/40/50K       |
| <b>5-CCT</b> | 27/30/35/40/50K |

| Series  | Emergency               |
|---|-------------------------|
| <b>LED-SL-PNL-4R-11W-TRI-0/10V</b><br>4" Round • 11w    | <b>Blank</b>            |
| <b>LED-SL-PNL-4R-11W-5CCT-0/10V</b><br>4" Round • 11w   | <b>None</b>             |
| <b>LED-SL-PNL-4SQ-11W-5CCT-0/10V</b><br>4" Square • 11w | <b>EMB</b>              |
| <b>LED-SL-PNL-6R-14W-5CCT-0/10V</b><br>6" Round • 14w   | <b>Emergency Backup</b> |
| <b>LED-SL-PNL-6SQ-14W-5CCT-0/10V</b><br>6" Square • 14w |                         |
| <b>LED-SL-PNL-8R-22W-5CCT-0-10V</b><br>8" Round • 22w   |                         |
| <b>LED-SL-PNL-10R-22W-5CCT-0/10V</b><br>10" Round • 22w |                         |

### Optional Accessories (Order Separately)

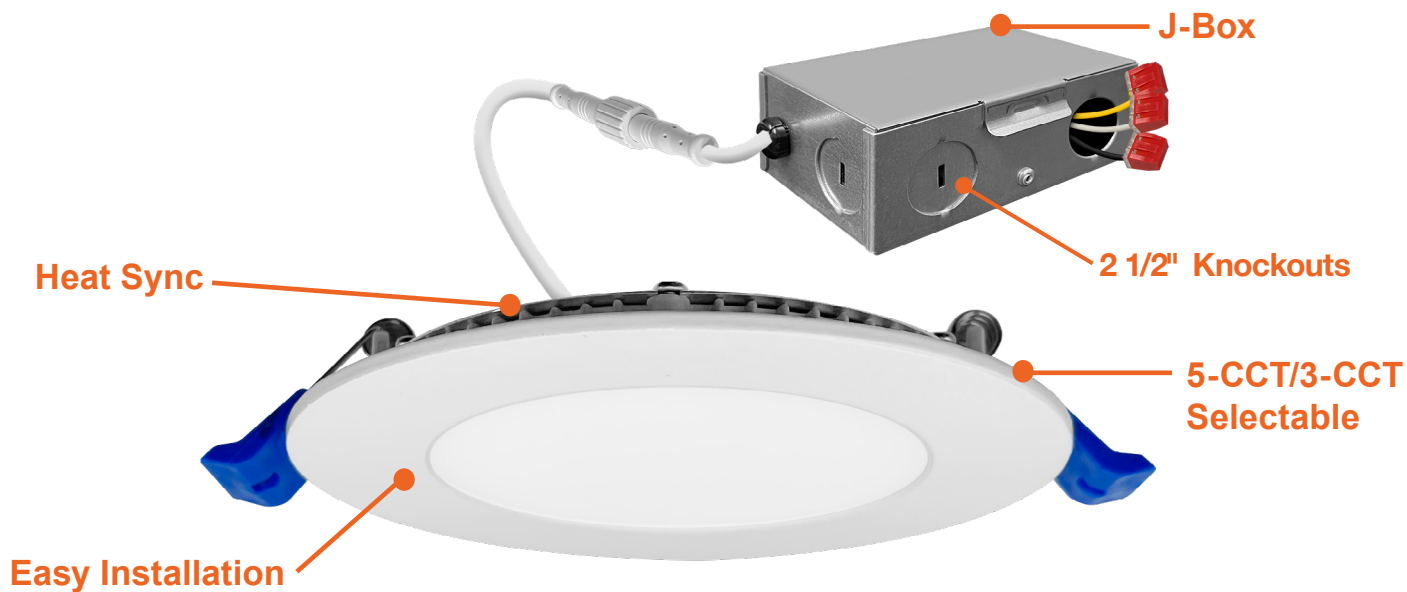
| Round Trim Options                         | Square Trim Options                         | New Construction Plates                                      | Extension Cables                         | Emergency Backup (field install) 1                   | Goof Ring                        |
|--|---|--|--|--|----------------------------------|
| <b>SLPNL-TRIM-4R-BLK</b><br>Black          | <b>SLPNL-TRIM-4SQ-BLK</b><br>Black          | <b>CUNV-NC-ICAT-7H</b><br>Universal Plate with hanging bars  | <b>JBX-EXT-6'-2PIN</b><br>6' Extension   | <b>LED-EMB-15W-HV-0/10V-2P</b><br>Up to 14W fixtures | <b>GR-4-WH</b><br>4"-8" Width    |
| <b>SLPNL-TRIM-4R-BRZ</b><br>Bronze         | <b>SLPNL-TRIM-4SQ-BRZ</b><br>Bronze         | <b>C4-JBX-RI</b><br>4" Rough in plate                        | <b>JBX-EXT-10'-2PIN</b><br>10' Extension | <b>LED-EMB-25W-HV-0/10V-2P</b><br>Up to 24W fixtures | <b>GR-6-WH</b><br>6.3"-10" Width |
| <b>SLPNL-TRIM-4R-BNI</b><br>Brushed Nickel | <b>SLPNL-TRIM-4SQ-BNI</b><br>Brushed Nickel | <b>C6-JBX-RI</b><br>6" Rough in plate                        | <b>JBX-EXT-12'-2PIN</b><br>12' Extension |  | <b>GR-8-WH</b><br>8"-12.5" Width |
| <b>SLPNL-TRIM-6R-BLK</b><br>Black          | <b>SLPNL-TRIM-6SQ-BLK</b><br>Black          | <b>C8-JBX-RI</b><br>8" Rough in plate                        |  |  |                                  |
| <b>SLPNL-TRIM-6R-BRZ</b><br>Bronze         | <b>SLPNL-TRIM-6SQ-BRZ</b><br>Bronze         | <b>CUNV-JBX-RI-XL</b><br>Universal Rough In Plate Extra long |  |  |                                  |
| <b>SLPNL-TRIM-6R-BNI</b><br>Brushed Nickel | <b>SLPNL-TRIM-6SQ-BNI</b><br>Brushed Nickel |  | 5CCT: 3-Pin<br>TRI: 2-Pin                | 1. Field installable.<br>Lasts 90 minutes.           |                                  |

Specs and model numbers are subject to change with or without notice

# Slim-Line: LED Slim Panel Downlights

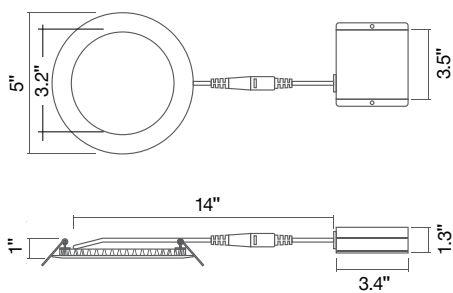
120-277V 0-10V Dimmable

## FEATURES



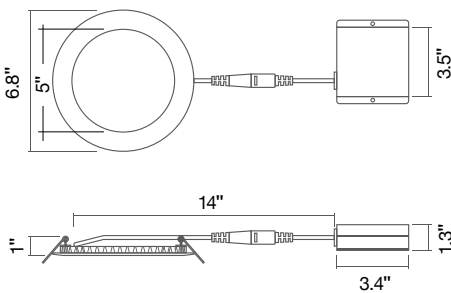
## DIMENSIONS

4" Round



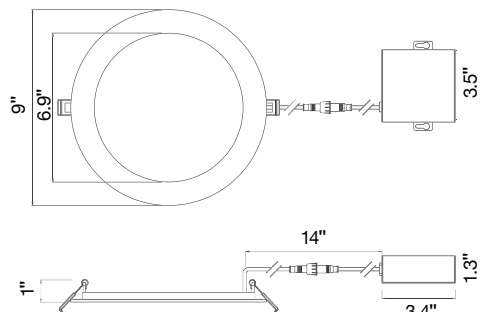
Cut Out: 4 1/4"

6" Round



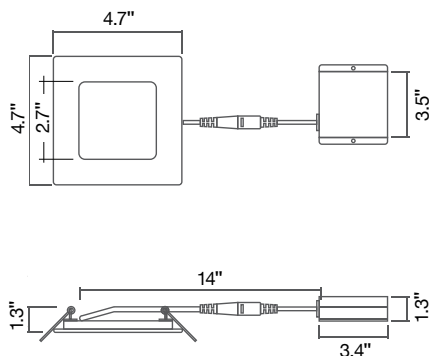
Cut Out: 6 1/4"

8" Round



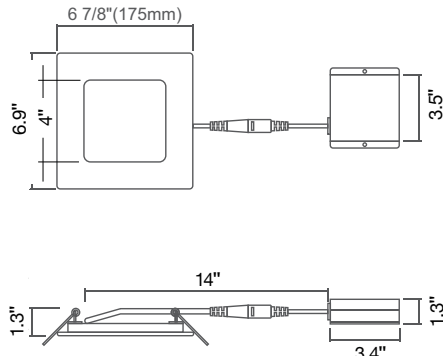
Cut Out: 8 1/4"

4" Square



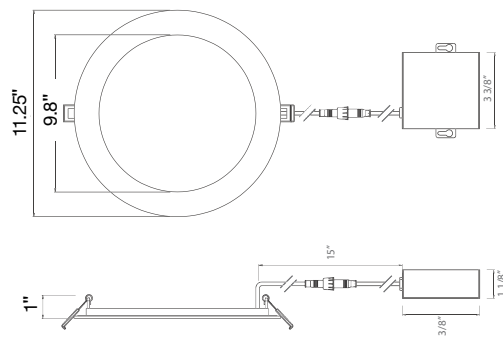
Cut Out: 4 1/4"

6" Square



Cut Out: 6 1/4"

10" Round



Cut Out: 11"

# Slim-Line: LED Slim Panel Downlights

120-277V 0-10V Dimmable

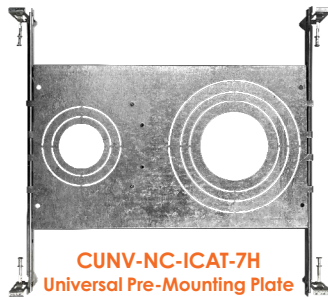
## ACCESSORIES



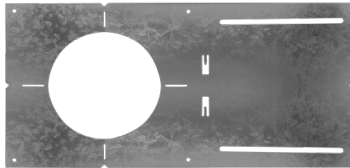
BLK BZ BN



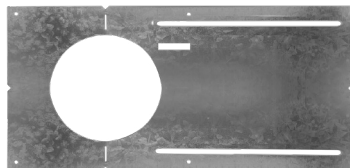
BLK BZ BN



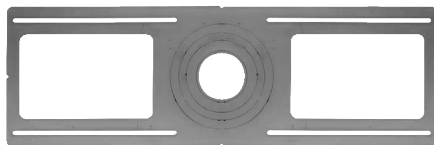
**CUNV-NC-ICAT-7H**  
Universal Pre-Mounting Plate  
13 7/8" x 15 1/8"



**C4-JBX-RI**  
4" Rough In Plate  
6 1/2" x 13 1/4"



**C6-JBX-RI**  
6" Rough In Plate  
8 1/2" x 17 1/4"



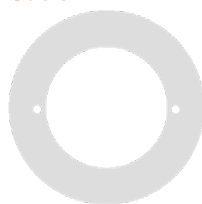
**CUNV-JBX-RI-XL**  
7" x 26"



**JBX-EXT**  
6' / 10' / 12' Extension Cable



LED-EMB-15W-HV-0/10V-2P  
LED-EMB-25W-HV-0/10V-2P



GR-4-WH  
GR-6-WH  
GR-8-WH

| Model                         | Voltage  | Watts | Lumens | Color           | CRI |
|-------------------------------|----------|-------|--------|-----------------|-----|
| LED-SL-PNL-4R-11W-TRI-0/10V   | 120/277V | 11w   | 750    | 30/40/50k       | >90 |
| LED-SL-PNL-4R-11W-5CCT-0/10V  | 120/277V | 11w   | 750    | 27/30/35/40/50K | >90 |
| LED-SL-PNL-4SQ-11W-5CCT-0/10V | 120/277V | 11w   | 750    | 27/30/35/40/50K | >90 |
| LED-SL-PNL-6R-14W-5CCT-0/10V  | 120/277V | 14w   | 1000   | 27/30/35/40/50K | >90 |
| LED-SL-PNL-6SQ-14W-TRI-0/10V  | 120/277V | 14w   | 1000   | 30/40/50k       | >90 |
| LED-SL-PNL-8R-22W-5CCT-0/10V  | 120/277V | 22w   | 1,600  | 27/30/35/40/50K | >90 |
| LED-SL-PNL-10R-22W-5CCT-0/10v | 120/277V | 22w   | 1600   | 27/30/35/40/50K | >90 |

## TRIMS

| Accessory          | Description                   |
|--------------------|-------------------------------|
| SLPNL-TRIM-4R-BLK  | 4" Round Black Trim           |
| SLPNL-TRIM-4R-BRZ  | 4" Round Bronze Trim          |
| SLPNL-TRIM-4R-BNI  | 4" Round Brushed Nickel Trim  |
| SLPNL-TRIM-4SQ-BLK | 4" Square Black Trim          |
| SLPNL-TRIM-4SQ-BRZ | 4" Square Bronze Trim         |
| SLPNL-TRIM-4SQ-BNI | 4" Square Brushed Nickel Trim |
| SLPNL-TRIM-6R-BLK  | 6" Round Black Trim           |
| SLPNL-TRIM-6R-BRZ  | 6" Round Bronze Trim          |
| SLPNL-TRIM-6R-BNI  | 6" Round Brushed Nickel Trim  |
| SLPNL-TRIM-6SQ-BLK | 6" Square Black Trim          |
| SLPNL-TRIM-6SQ-BRZ | 6" Square Bronze Trim         |
| SLPNL-TRIM-6SQ-BNI | 6" Square Brushed Nickel Trim |

## CONSTRUCTION PLATES

| Accessory Model | Description                          |
|-----------------|--------------------------------------|
| C4-JBX-RI       | 4" Rough-In Plate (6 1/2" x 13 1/4") |
| C6-JBX-RI       | 6" Rough-In Plate (8 1/2" x 17 1/4") |
| C8-JBX-RI       | 8" Rough-In Plate (10 1/2" x 26")    |
| CUNV-NC-ICAT    | 2/3/4/6" Pre-Mounting Plate          |

## 2-PIN EXTENSION CABLE

| Accessory        | Description         |
|------------------|---------------------|
| JBX-EXT-6'-2PIN  | 6" Extension Cable  |
| JBX-EXT-10'-2PIN | 10" Extension Cable |
| JBX-EXT-12'-2PIN | 12" Extension Cable |

## BATTERY BACK-UP

| Accessory               | Description        |
|-------------------------|--------------------|
| LED-EMB-15W-HV-0/10V-2P | Up to 14W fixtures |
| LED-EMB-25W-HV-0/10V-2P | Up to 24W fixtures |

## GOOF RING

| Accessory Model | Description                                    |
|-----------------|--|
| GR-4-WH         | 4" Goof Ring, Inner Dim: 4" Outer Dim: 8"      |
| GR-6-WH         | 6" Goof Ring, Inner Dim: 6.3" Outer Dim: 10.5" |
| GR-8-WH         | 8" Goof Ring, Inner Dim: 8" Outer Dim: 12.5"   |

## TESTED COMPATIBLE DIMMERS

Other dimmers may be compatible but have not been tested. Please contact us for more information.

### 0-10V Dimmers

| Lutron | Leviton          | Wattstopper | Lightolier  |
|--------|------------------|-------------|-------------|
| DVTV   | Illumitech - IP7 | DCLV1       | ZP600FAM120 |
| NFTV   |                  |             | SR1200ZTUNV |
| NTFTV  |                  |             |             |