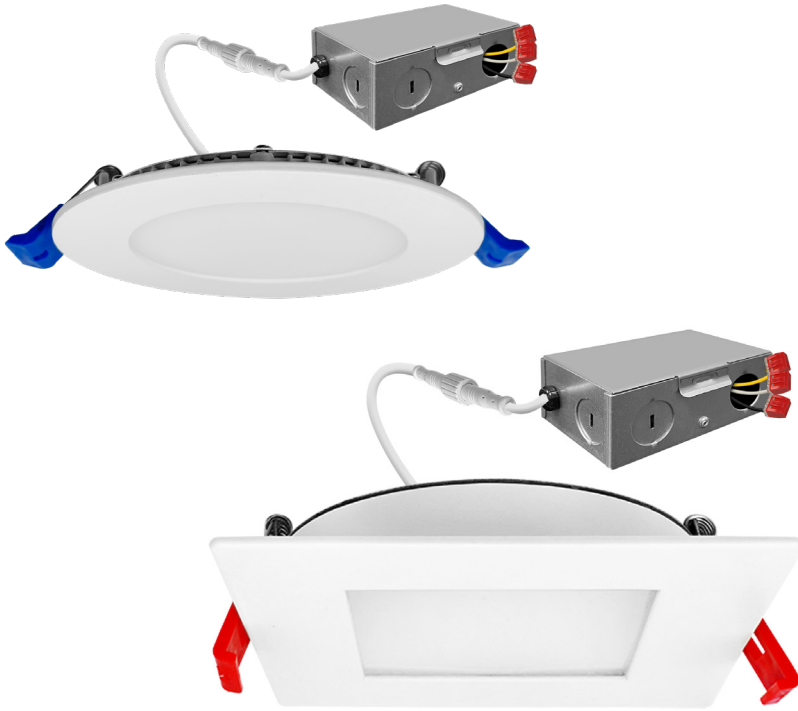


Slim-Line: LED Slim Panel Downlights

5-CCT Selectable

Canless Downlights



Detail Specifications:

- Finish: White, Black, Bronze, Brushed Nickel, Custom
- Wet Location Rated
- Beam Angle: 110°
- Chip: SMD 2835, R9 >50, CRI >90
- 3 Step MacAdam Ellipses
- Operating Temperature: -40° - 114° F
- Lens: Frosted acrylic, non-yellowing
- Average life (L70) of 50,000 hours

Applications:

- General Recessed Lighting
- Residential & Multifamily
- Office and Meeting Rooms
- Education, Healthcare, Retail, Hospitality

Product Information:

- 5-CCT Selectable: 27/30/35/40/50K
- Edge-lit technology: reduces glare with even light distribution
- Perfect for shallow ceilings. Only 1.5" space required.
- Metal housing and trim for better heat dissipation
- Standard white round trim included: optional trims available
- Optional emergency backup available: delivers full lumens in EM mode up to 25W
- SnapTrim Canless: Spring clips with remote j-box eliminates can

Driver Options:

- 120V Triac Dimmable
- 120-277V 0-10V Dimmable Available (separate spec sheet)
- Built in 2.5Kv Surge Protector
- Flicker Free

Mounting & Installation:

- Cut Out Dimensions
 - 3": 3-1/4"
 - 4": 4-1/4"
 - 6": 6-1/4"
 - 8": 8-1/4"
- Optional new construction plate available
- This fixture does not fit into a recessed can
- No can needed in remodel applications, tension clips mount into 1/2" to 1.5" thick ceiling
- Can be removed from below the ceiling for service or replacement
- Pre-wired junction box with circuit wiring built in (3 in/ 3 out)

Certifications:

- ETL Listed for USA and CA
- Energy Star Certified
- CA Title 24 JA8-2022 CEC Listed
- 5 Year Limited Warranty
- FCC CFR 47, GCC Part 15, Subpart B:2017
- IC Rated and ASTM-E283 Air-Tight

| Series | Emergency |
|---|-----------|
| LED-SL-PNL-3R-8W-5CCT-WH | Blank |
| 3" Round • 8W • 500lm | None |
| LED-SL-PNL-3SQ-8W-5CCT-WH | EMB |
| 3" Square • 8W • 500lm | Emergency |
| LED-SL-PNL-4R-3P12W-5CCT-WH | Backup |
| 4" Round • 8/10/12w • 500/700/840lm | |
| LED-SL-PNL-4SQ-3P12W-5CCT-WH | |
| 4" Square • 8/10/12w • 500/700/840lm | |
| LED-SL-PNL-6R-3P15W-5CCT-WH | |
| 6" Round • 9/12/15w • 750/950/1,150lm | |
| LED-SL-PNL-6SQ-3P15W-5CCT-WH | |
| 6" Square • 9/12/15w • 750/950/1,150lm | |
| LED-SL-PNL-8R-3P22W-5CCT-WH | |
| 8" Round • 16/19/22w • 1,200/1,400/1,600lm | |
| LED-SL-PNL-8SQ-3P22W-5CCT-WH | |
| 8" Square • 16/19/22w • 1,200/1,400/1,600lm | |

| Optional Accessories (Order Separately) | | | | | |
|---|---------------------|-------------------------|------------------|------------------------------------|----------------|
| Round Trim Options | Square Trim Options | New Construction Plates | Extension Cables | Emergency Backup (field install) 1 | Goof Ring |
| SLPNL-TRIM-3R-BLK | SLPNL-TRIM-4SQ-BLK | CUNV-NC-ICAT-7H | JBX-EXT-6'-3PIN | LED-EMB-15W-HV | GR-4-WH |
| Black | Black | Universal Plate with | 6' Extension | -0/10V-2P | 4"-8" Width |
| SLPNL-TRIM-3R-BRZ | SLPNL-TRIM-4SQ-BRZ | hanging bars | JBX-EXT-10'-3PIN | Up to 14W fixtures | GR-6-WH |
| Bronze | Bronze | C4-JBX-RI | 10' Extension | LED-EMB-25W-HV | 6.3"-10" Width |
| SLPNL-TRIM-3R-BNI | SLPNL-TRIM-4SQ-BNI | 4" Rough in plate | JBX-EXT-12'-3PIN | -0/10V-2P | GR-8-WH |
| Brushed Nickel | Brushed Nickel | C6-JBX-RI | 12' Extension | Up to 24W fixtures | 8"-12.5" Width |
| SLPNL-TRIM-4R-BLK | SLPNL-TRIM-6SQ-BLK | 6" Rough in plate | | | |
| Black | Black | C8-JBX-RI | | | |
| SLPNL-TRIM-4R-BRZ | SLPNL-TRIM-6SQ-BRZ | 8" Rough in plate | | | |
| Bronze | Bronze | CUNV-JBX-RI-XL | | | |
| SLPNL-TRIM-4R-BNI | SLPNL-TRIM-6SQ-BNI | Universal Rough In | | | |
| Brushed Nickel | Brushed Nickel | Plate Extra long | | | |
| SLPNL-TRIM-6R-BLK | | | | | |
| Black | | | | | |
| SLPNL-TRIM-6R-BRZ | | | | | |
| Bronze | | | | | |
| SLPNL-TRIM-6R-BNI | | | | | |
| Brushed Nickel | | | | | |

1. Field installable. Lasts 90 minutes.

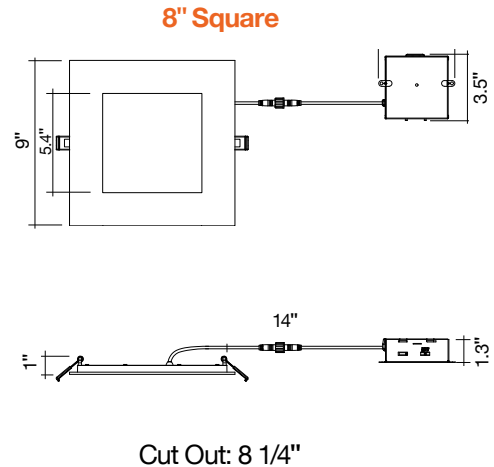
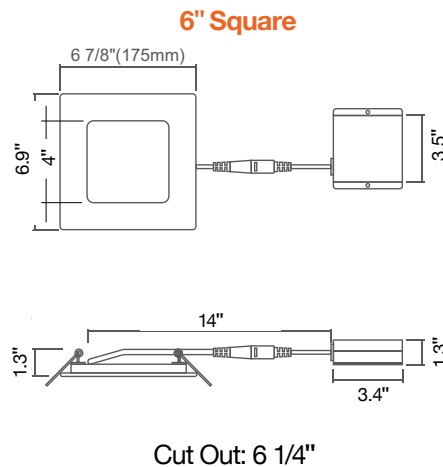
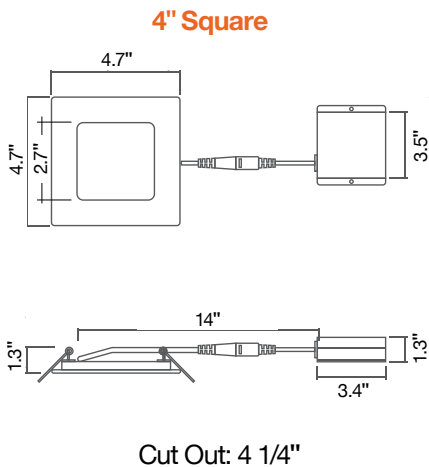
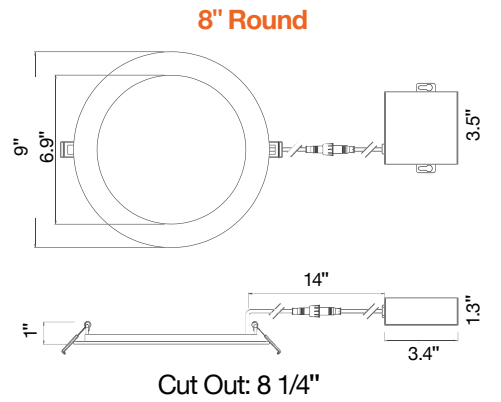
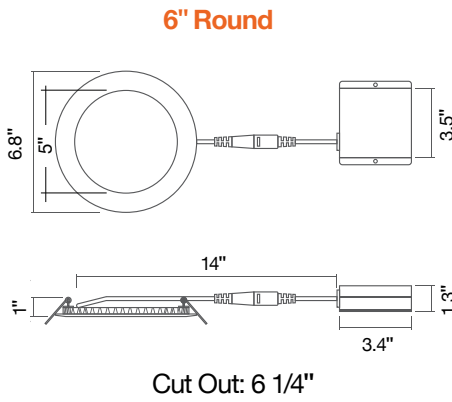
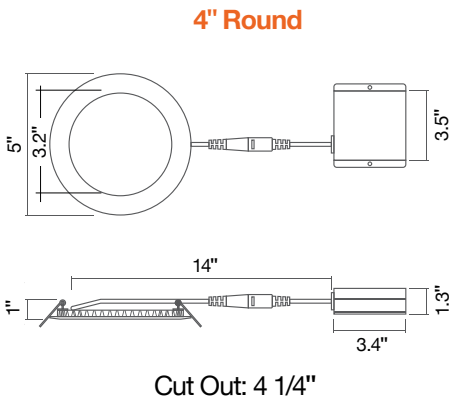
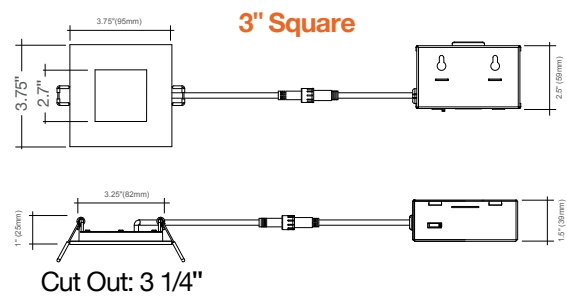
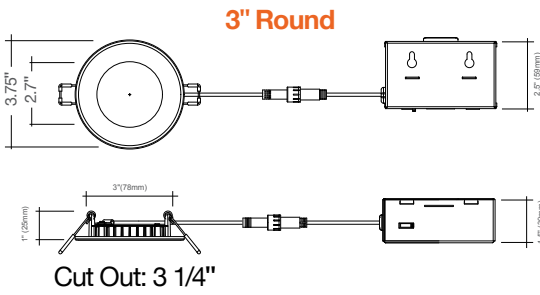
Slim-Line: LED Slim Panel Downlights

5-CCT Selectable

FEATURES



DIMENSIONS



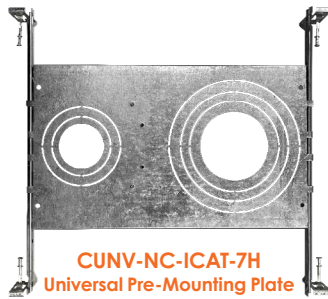
ACCESSORIES



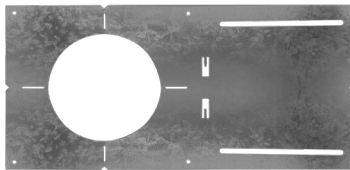
BLK BZ BN



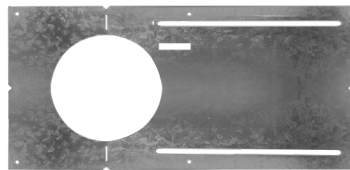
BLK BZ BN



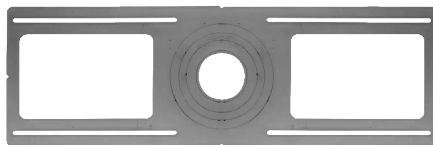
CUNV-NC-ICAT-7H
Universal Pre-Mounting Plate
13 7/8" x 15 1/8"



C4-JBX-RI
4" Rough In Plate
6 1/2" x 13 1/4"



C6-JBX-RI
6" Rough In Plate
8 1/2" x 17 1/4"



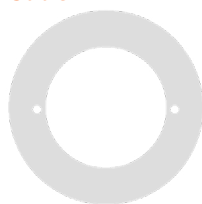
CUNV-JBX-RI-XL
7" x 26"



JBX-EXT
6' / 10' / 12' Extension Cable



LED-EMB-15W-HV-0/10V-2P
LED-EMB-25W-HV-0/10V-2P



GR-4-WH
GR-6-WH
GR-8-WH

DOWNLIGHT FIXTURES

| Model | Voltage | Watts | Lumens | Color | CRI |
|------------------------------|---------|-----------|----------------|-----------------|-----|
| LED-SL-PNL-3R-8W-5CCT-WH | 120V | 8w | 500 | 27/30/35/40/50K | >90 |
| LED-SL-PNL-3SQ-8W-5CCT-WH | 120V | 8w | 500 | 27/30/35/40/50K | >90 |
| LED-SL-PNL-4R-3P12W-5CCT-WH | 120V | 8/10/12w | 500/700/840 | 27/30/35/40/50K | >90 |
| LED-SL-PNL-4SQ-3P12W-5CCT-WH | 120V | 8/10/12w | 500/700/840 | 27/30/35/40/50K | >90 |
| LED-SL-PNL-6R-3P15W-5CCT-WH | 120V | 9/12/15w | 750/950/1150 | 27/30/35/40/50K | >90 |
| LED-SL-PNL-6SQ-3P15W-5CCT-WH | 120V | 9/12/15w | 750/950/1150 | 27/30/35/40/50K | >90 |
| LED-SL-PNL-8R-3P22W-5CCT-WH | 120V | 16/19/22w | 1200/1400/1600 | 27/30/35/40/50K | >90 |
| LED-SL-PNL-8SQ-3P22W-5CCT-WH | 120V | 16/19/22w | 1200/1400/1600 | 27/30/35/40/50K | >90 |

TRIMS

| Accessory | Description |
|--------------------|-------------------------------|
| SLPNL-TRIM-3R-BLK | 3" Round Black Trim |
| SLPNL-TRIM-3R-BRZ | 3" Round Bronze Trim |
| SLPNL-TRIM-3R-BNI | 3" Round Brushed Nickel Trim |
| SLPNL-TRIM-4R-BLK | 4" Round Black Trim |
| SLPNL-TRIM-4R-BRZ | 4" Round Bronze Trim |
| SLPNL-TRIM-4R-BNI | 4" Round Brushed Nickel Trim |
| SLPNL-TRIM-4SQ-BLK | 4" Square Black Trim |
| SLPNL-TRIM-4SQ-BRZ | 4" Square Bronze Trim |
| SLPNL-TRIM-4SQ-BNI | 4" Square Brushed Nickel Trim |
| SLPNL-TRIM-6R-BLK | 6" Round Black Trim |
| SLPNL-TRIM-6R-BRZ | 6" Round Bronze Trim |
| SLPNL-TRIM-6R-BNI | 6" Round Brushed Nickel Trim |
| SLPNL-TRIM-6SQ-BLK | 6" Square Black Trim |
| SLPNL-TRIM-6SQ-BRZ | 6" Square Bronze Trim |
| SLPNL-TRIM-6SQ-BNI | 6" Square Brushed Nickel Trim |

CONSTRUCTION PLATES

| Accessory Model | Description |
|-----------------|--------------------------------------|
| C4-JBX-RI | 4" Rough-In Plate (6 1/2" x 13 1/4") |
| C6-JBX-RI | 6" Rough-In Plate (8 1/2" x 17 1/4") |
| C8-JBX-RI-XL | 8" Rough-In Plate (10 1/2" x 26") |
| CUNV-NC-ICAT-7H | 2/3/4/6" Pre-Mounting Plate |

EXTENSION CABLE

| Accessory | Description |
|------------------|---------------------|
| JBX-EXT-6'-3PIN | 6" Extension Cable |
| JBX-EXT-10'-3PIN | 10" Extension Cable |
| JBX-EXT-12'-3PIN | 12" Extension Cable |

BATTERY BACK-UP

| Accessory | Description |
|-------------------------|--------------------|
| LED-EMB-15W-HV-0/10V-2P | Up to 14W fixtures |
| LED-EMB-25W-HV-0/10V-2P | Up to 24W fixtures |

GOOF RING

| Accessory Model | Description |
|-----------------|--|
| GR-4-WH | 4" Goof Ring, Inner Dim: 4" Outer Dim: 8" |
| GR-6-WH | 6" Goof Ring, Inner Dim: 6.3" Outer Dim: 10.5" |
| GR-8-WH | 8" Goof Ring, Inner Dim: 8" Outer Dim: 12.5" |

TESTED COMPATIBLE DIMMERS

Other dimmers may be compatible but have not been tested. Please contact us for more information. **TRIAC/ELV Dimmers**

| Lutron | Lutron | Leviton | Legrand | Cooper |
|------------|------------|---------|-----------|--------|
| AYCL-153P | NTELV-300P | 6633 | ADTP703TU | 9540 |
| DV-600PR | S-600P | 6674 | H703PTW | DAL06P |
| DVCL-153P | CT-600P | 6602 | | |
| MACL-153MH | CTCL-153P | IPL06 | | |
| MRF2-6CL | TG-600P | | | |
| D-600P | TCCL-153P | | | |