

Project: _____
 Part#: _____
 Type: _____

4/6" EXT SnapTrim Tilting Downlight

EnVision LED has developed a line of super slim LED downlights that eliminate the need for a can. The external remote junction box mounts inside the ceiling and the fixture is IC Rated. With these new tilting snaptrim downlights however, experience 180° of adjustment. By reducing material cost and installation time, the EnVision SnapTrim is ideal for retrofit and new construction projects. Simply cut a hole in the ceiling, power the J-Box to the wall switch, and "snap" the trim flush.



Applications:

- Retrofitting
- New Construction
- Residential Lighting
- Commercial Lighting

Product Information:

- External j-box & spring mount clips for easy installation
- '5CCT' version toggles between 2700k, 3000k, 3500k, 4000k and 5000k
- '-TRI' version toggles between 3000k, 4000k, & 5000k
- Compatible with most dimmers (e.g. Lutron DVCL-153P)
- Spring mount clips make installation easy
- Canless module does not require housing
- 30° Tilt Angle

LED - SL - TLT - **Size/Shape/Watts** **Color** **Warranty**

1
2
3
8

1	Product	2	Size/Shape/Watts	3	Color	4	Warranty
LED-SL-TLT	EXT SnapTrim Tilting Downlight	4R-9W 6R-12W	4" Round, 9W (600lm) 6" Round, 12W (800lm)	TRI 5CCT	3CCT Selectable 30 / 40 / 50K 5CCT Selectable 27K / 30K / 35K / 40K / 50K	(Blank) 10YR	5 Year (incl.) 10 Year

Specs and model numbers are subject to change with or without notice



4/6" EXT SnapTrim Tilting Downlight

PRODUCT FEATURES

Directional Beam

Great for sloped ceilings and highlighting artwork

1" Thin Install

Install where ceiling space is limited

Tilting Adjustment

Experience 180° of adjustment with our new tilting snaptrim

Spring Clips

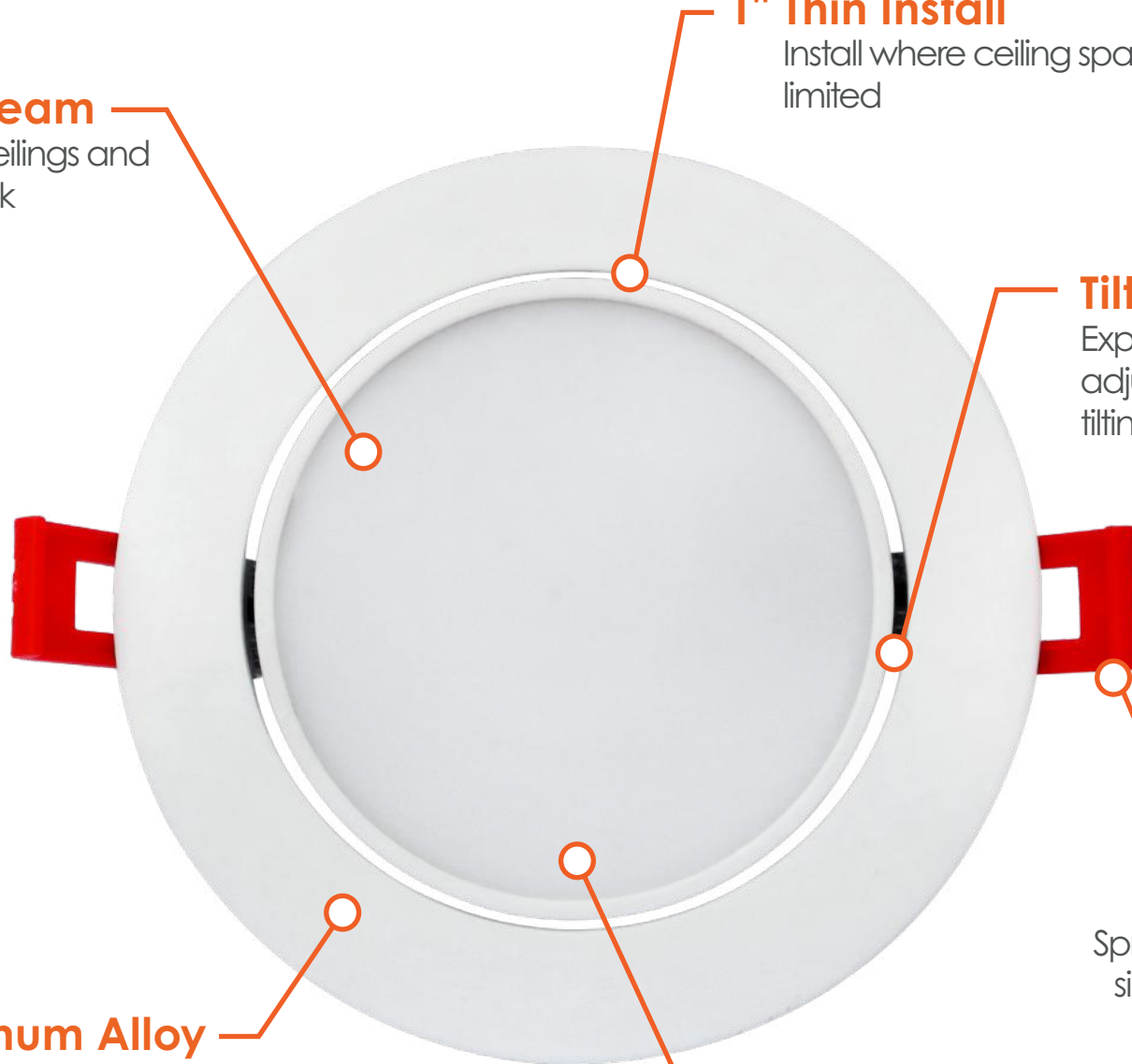
Spring clips attached to the sides of this fixture allow for easy installation

Die-Cast Aluminum Alloy

Our fixture is made with die-cast aluminum alloy for optimal heat dissipation

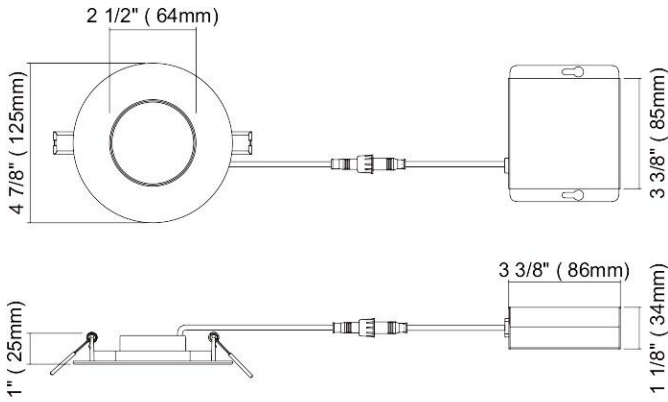
Selectable Color Temps.

Depending on fixture, easily choose between a variety of color temperatures, from 30/40/50k for -TRI fixtures, and 27/30/35/40/50K for -5CCT fixtures



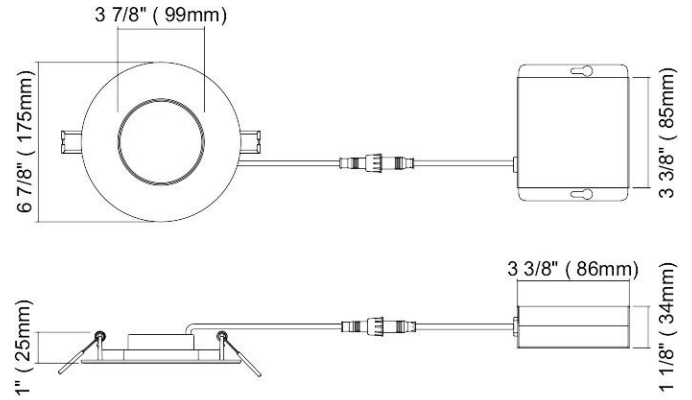
4/6" EXT SnapTrim Tilting Downlight

DIMENSIONS



Cut out: 4 1/4" (107.95mm)

4" Round



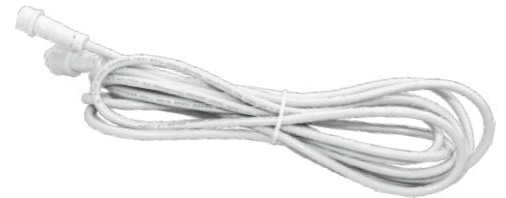
Cut out: 6 1/4" (158.75mm)

6" Round

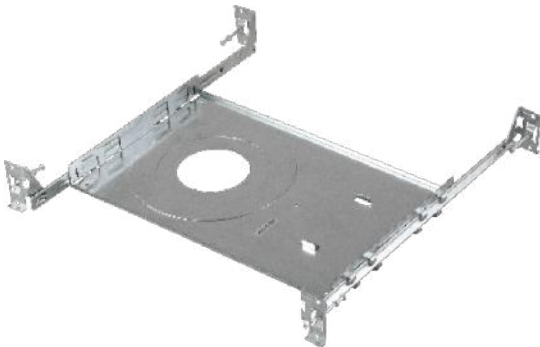
ACCESSORIES

Accessory Model	Description
JBX-EXT-6'-TRI	6' J-Box Connector Extension Cable
JBX-EXT-10'-TRI	10' J-Box Connector Extension Cable
C4-JBX-RI	4" Rough-In Plate (6 1/2" x 13 1/4")
C6-JBX-RI	6" Rough-In Plate (8 1/2" x 17 1/4")
CUNV-NC-ICAT	2/3/4/6" Pre-Mounting Plate

JBX-EXT
Extension Cable (6'/10')



CUNV-NC-ICAT
Universal Pre-Mounting Plate



C4-JBX-RI
4" Rough-In Plate



C6-JBX-RI
6" Rough-In Plate

