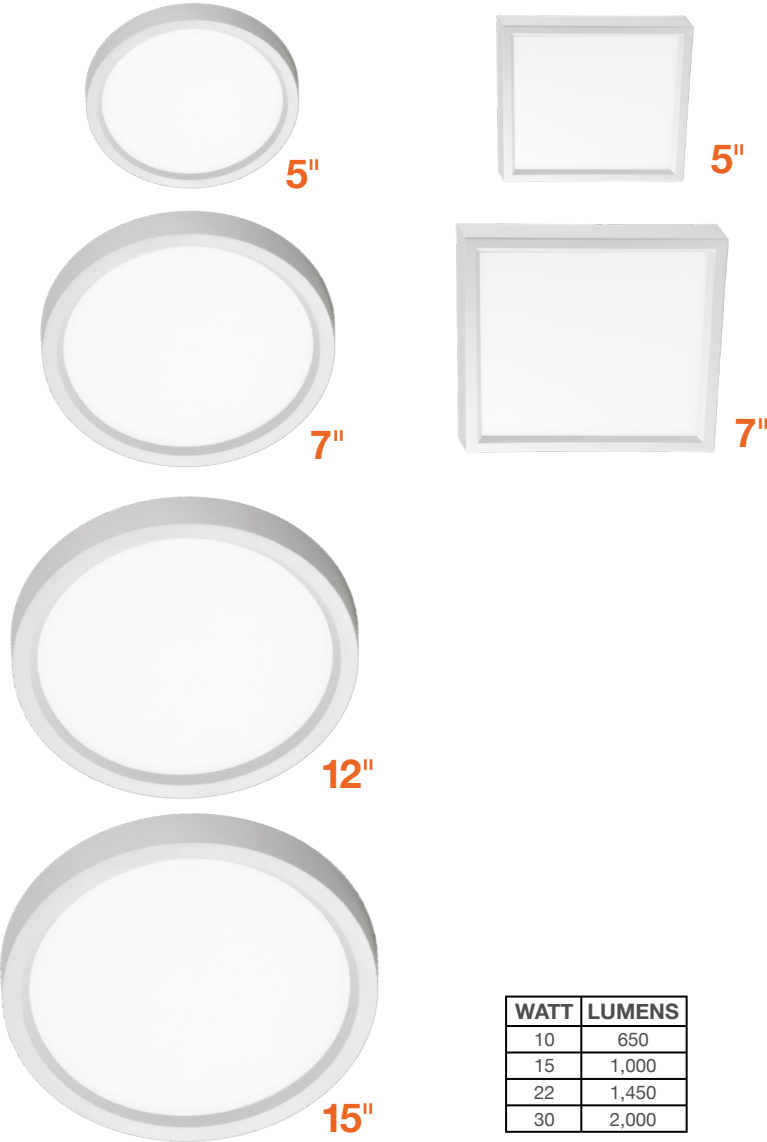


SlimLine Surface Mounts

120-277V 0-10V Dimmable



Detail Specifications:

- Finishes: White, Bronze, Black, Brushed Nickel
- IP Rating: Wet Location
- Beam Angle: 110°
- Chip: SMD 2835, R9 >50, CRI >90
- 5-CCT: 27/30/35/40/50K
- 3 Step MacAdam Ellipses
- Operating Temperature: -40° - 114° F
- Lens: Frosted, non-yellowing
- Average life (L70) of 50,000 hours

Applications:

- General Recessed Lighting
- Residential & Multifamily
- Office and Meeting Rooms
- Education, Healthcare, Retail, Hospitality

Product Information:

- AC technology: slim and easy driverless installation
- Edge-lit technology: reduces glare with even light distribution
- Standard white round trim included: optional trims available

Driver Options:

- 120-277V 0-10V Dimmable
- (Triac dimmable available on separate spec sheet)
- THD: <15% (+/-5% tolerance), PF >0.9, 50/60Hz
- Isolated Driver
- Flicker Free

Mounting & Installations:

- Junction Box
 - 5 & 7": 40/4S Junction Box
 - 12 & 15": 30/40/4S Junction Box
- 5", 7", 12" Recessed Can Converter

Certifications:

- ETL Listed for USA and CA
- Energy Star Certified
- CA Title 24 JA8-2022 CEC Listed
- 5 Year Limited Warranty
- FCC CFR 47, GCC Part 15, Subpart B:2017
- IC Rated and ASTM-E283 Air-Tight
- Closet Rated

WATT	LUMENS
10	650
15	1,000
22	1,450
30	2,000

Series

- LED-SLDSKR-5-10W-5CCT-WH-0/10V
10W • 650lm • 120-277V
- LED-SLDSKR-7-15W-5CCT-WH-0/10V
15W • 1,000lm • 120-277V
- LED-SLDSKR-12-22W-5CCT-WH-0/10V
22W • 1,450lm • 120-277V
- LED-SLDSKR-15-30W-5CCT-WH-0/10V
30W • 2,000lm • 120-277V
- LED-SLDSKSQ-5-10W-5CCT-WH-0/10V
10W • 650lm • 120-277V
- LED-SLDSKSQ-7-15W-5CCT-WH-0/10V
15W • 1,000lm • 120-277V

- Standard quick ship finish is white. Other colors are custom finishes.
- Custom height options available. Contact us.

Optional Accessories (Order Separately)

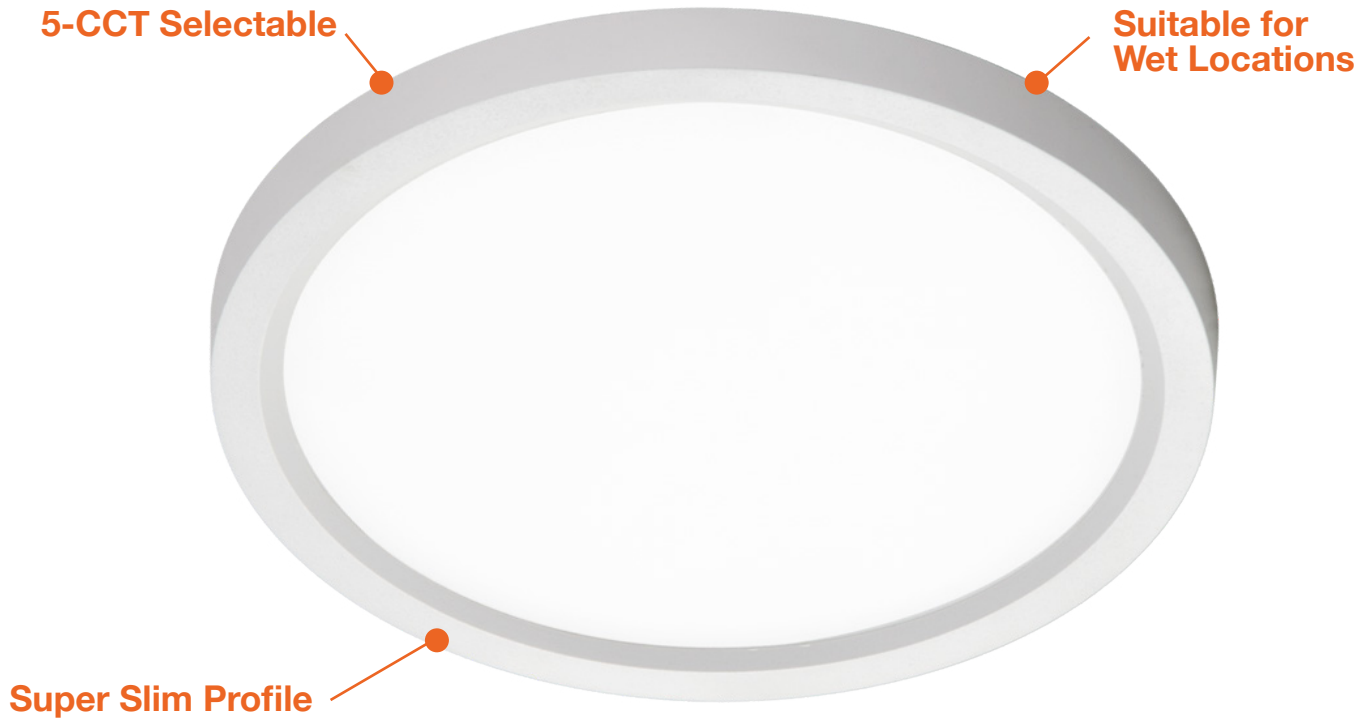
Round Trims	Square Trims	Recessed Can Converter	Emergency Backup	Pendant Stem Mount
SLDSKR-5-TRIM-BLK 5" Round Black	SLDSKSQ-5-TRIM-BLK 5" Square Black	SLDSK-4CLIP 4" Recessed Can Converter	SLDSKR-7-EMB-UNV Surface mount pancake EMB	STM-JBX-6-WH 6' Stem Mount (Adjustable length)
SLDSKR-5-TRIM-BRZ 5" Round Bronze	SLDSKSQ-5-TRIM-BRZ 5" Square Bronze	SLDSK-7-6CLIP 6" Recessed Can Converter	SLDSKR-7-EMB-EMPTY-UNV Empty surface mount pancake EMB	STM-JBX-6-BLK 6' Stem Mount (Adjustable length)
SLDSKR-5-TRIM-BNI 5" Round Brushed Nickel	SLDSKSQ-5-TRIM-BNI 5" Square Brushed Nickel	SLDSK-12-6CLIP 6" Recessed Can Converter	SLDSKR-12-EMB-UNV Surface mount pancake EMB	
SLDSKR-7-TRIM-BLK 7" Round Black	SLDSKSQ-7-TRIM-BLK 7" Square Black	SLDSK-12-6CLIP 6" Recessed Can Converter	SLDSKR-12-EMB-EMPTY-UNV Empty surface mount pancake EMB	
SLDSKR-7-TRIM-BRZ 7" Round Bronze	SLDSKSQ-7-TRIM-BRZ 7" Square Bronze		LED-EMB-8W-HV-0/10V-2P For fixtures up to 15W	
SLDSKR-7-TRIM-BNI 7" Round Brushed Nickel	SLDSKSQ-7-TRIM-BNI 7" Square Brushed Nickel		LED-EMB-15W-HV-0/10V-2P For fixtures up to 22W	
SLDSKR-12-TRIM-BLK 12" Round Black	SLDSKSQ-12-TRIM-BLK 12" Square Black		LED-EMB-25W-HV-0/10V-2P For fixtures up to 35W	
SLDSKR-12-TRIM-BRZ 12" Round Bronze	SLDSKSQ-12-TRIM-BRZ 12" Square Bronze			
SLDSKR-12-TRIM-BNI 12" Round Brushed Nickel	SLDSKSQ-12-TRIM-BNI 12" Square Brushed Nickel			

Specs and model numbers are subject to change with or without notice.

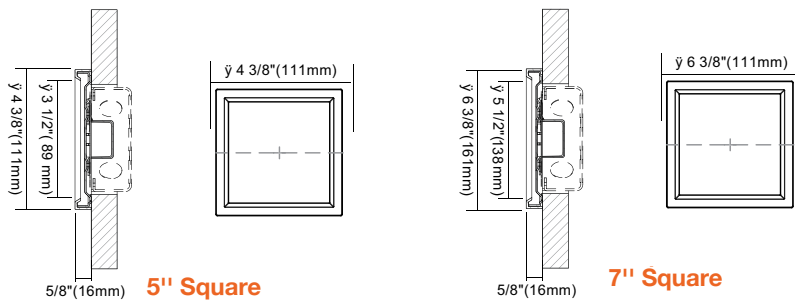
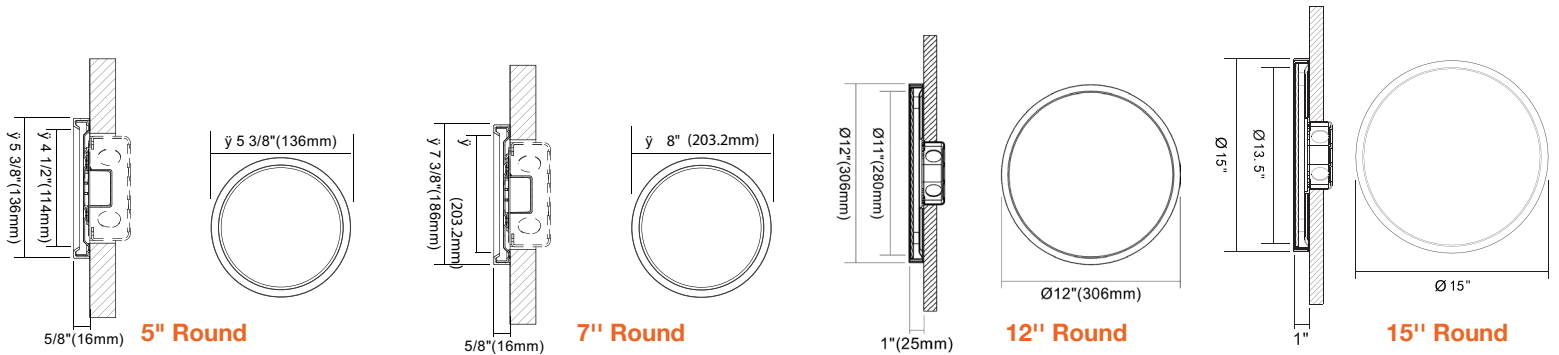
SlimLine Surface Mounts

120-277V 0-10V Dimmable

FEATURES



DIMENSIONS



SlimLine Surface Mounts

120-277V 0-10V Dimmable

CLIP-ON TRIMS - 5" / 7" / 12"



-BNI



-BLK



-BRZ



-BNI



-BLK



-BRZ

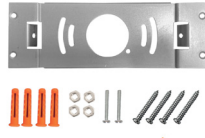
ACCESSORIES



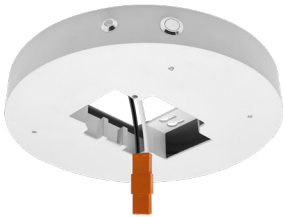
SLDSK-4CLIP



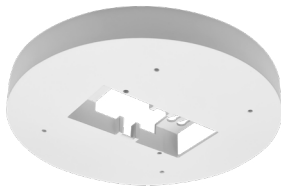
SLDSK-7-6CLIP



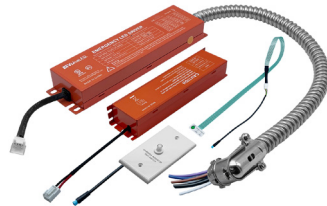
SLDSK-12-6CLIP



SLDSKR-7-EMB-UNV
SLDSKR-12-EMB-UNV



SLDSKR-7-EMB-EMPTY-UNV
SLDSKR-12-EMB-EMPTY-UNV



LED-EMB-8W-HV-0/10V-2P
LED-EMB-15W-HV-0/10V-2P



30° ANGLE

STM-JBX-6-WH
STM-JBX-6-BLK

FIXTURE, TRIM, & ACCESSORY

Trim Model	Description
SLDSKR-5-TRIM-BLK	Black 5" Round Trim
SLDSKR-5-TRIM-BRZ	Bronze 5" Round Trim
SLDSKR-5-TRIM-BNI	Brushed Nickel 5" Round Trim
SLDSKR-7-TRIM-BLK	Black 7" Round Trim
SLDSKR-7-TRIM-BRZ	Bronze 7" Round Trim
SLDSKR-7-TRIM-BNI	Brushed Nickel 7" Round Trim
SLDSKR-12-TRIM-BLK	Black 12" Round Trim
SLDSKR-12-TRIM-BRZ	Bronze 12" Round Trim
SLDSKR-12-TRIM-BNI	Brushed Nickel 12" Round Trim
SLDSKSQ-5-TRIM-BLK	Black 5" Square Trim
SLDSKSQ-5-TRIM-BRZ	Bronze 5" Square Trim
SLDSKSQ-5-TRIM-BNI	Brushed Nickel 5" Square Trim
SLDSKSQ-7-TRIM-BLK	Black 7" Square Trim
SLDSKSQ-7-TRIM-BRZ	Bronze 7" Square Trim
SLDSKSQ-7-TRIM-BNI	Brushed Nickel 7" Square Trim
SLDSKSQ-12-TRIM-BLK	Black 12" Square Trim
SLDSKSQ-12-TRIM-BRZ	Bronze 12" Square Trim
SLDSKSQ-12-TRIM-BNI	Brushed Nickel 12" Square Trim

CLIPS

Accessory Model	Description
SLDSK-4CLIP	Recessed Can Converter for 5" fixtures
SLDSK-7-6CLIP	6" Recessed Can Converter for 7" fixtures
SLDSK-12-6CLIP	6" Recessed Can Converter for 12" fixtures

SURFACE MOUNTS

Accessory Model	Description
SLDSKR-7-EMB-UNV	Surface mount pancake EMB
SLDSKR-7-EMB-EMPTY-UNV	Empty surface mount pancake EMB
SLDSKR-12-EMB-UNV	Surface mount pancake EMB
SLDSKR-12-EMB-EMPTY-UNV	Empty surface mount pancake EMB

EMERGENCY BACKUP

Accessory Model	Description
LED-EMB-8W-HV-0/10V-2P	For fixtures up to 15W
LED-EMB-15W-HV-0/10V-2P	For fixtures up to 22W

PENDANT STEM MOUNT

Accessory Model	Description
STM-JBX-6-WH	6' Stem Mount (Adjustable length) White Finish
STM-JBX-6-BLK	6' Stem Mount (Adjustable length) Black Finish

TESTED COMPATIBLE DIMMERS

Other dimmers may be compatible but have not been tested. Please contact us for more information.

Lutron	Leviton	Legrand	Cooper
DVCL-153P	NTELV-300P	6633	DLV703
DV-600PR	S-600P	6674	H703PTW
DVCL-153P	CT-600P	6672	DAL03P
MACL-153MH	CTCL-153P	6613	
MRF2-6CL	TG-600P		
D-600P	TGCL-153P		