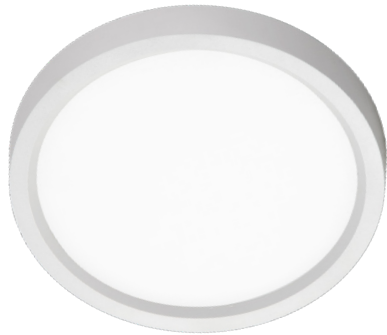
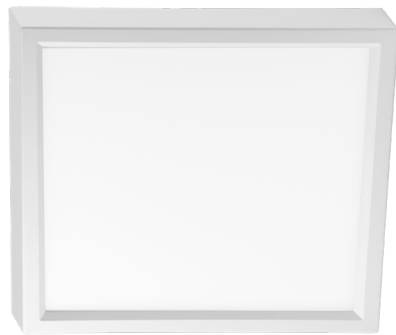


SlimLine Surface

J-Box or E26



5" / 7" / 12" / 15" / 19" / 24"



5" / 7" / 12"

| WATT | | LUMENS | | COLOR | |
|------|-------|--------|-----------------|-------|--|
| 10 | 650 | 30K | 3000K | | |
| 15 | 1,000 | TRI | 30/40/50K | | |
| 22 | 1,450 | 5-CCT | 27/30/35/40/50K | | |
| 24 | 1,800 | | | | |
| 30 | 2,000 | | | | |
| 35 | 2,200 | | | | |
| 40 | 2,700 | | | | |

Detail Specifications:

- Finishes: White, Bronze, Black, Brushed Nickel
- IP Rating: Wet Location
- Beam Angle: 110°
- Chip: SMD 2835, R9 >50, CRI >90
- 3 Step MacAdam Ellipses
- Operating Temperature: -40° - 114° F
- Lens: Frosted Acrylic, non-yellowing
- Housing:
 - 5 & 7": Plastic
 - 12, 15, 19, 24": Metal
 - Trims: Metal
- Average life (L70) of 50,000 hours

Applications:

- General Recessed Lighting
- Residential & Multifamily
- Office and Meeting Rooms
- Education, Healthcare, Retail, Hospitality

Product Information:

- AC technology: slim and easy driverless installation
- Edge-lit technology: reduces glare with even light distribution
- Standard white round trim included: optional trims available

Driver Options:

- 120V Triac dimmable down to 5%
- (120-277V 0-10V dimmable available on separate spec sheet)
- THD: <15% (+/-5% tolerance), PF >0.9, 50/60Hz
- AC Driverless technology
- Flicker Free

Mounting & Installations:

- 30/40 Junction Box (including pancake j-box)
- Surface mount bracket included
- 5", 7", 12" Recessed can converter

Certifications:

- ETL Listed for USA and CA
- Energy Star Certified
- CA Title 24 JA8-2022 CEC Listed
- 5 Year Limited Warranty
- FCC CFR 47, GCC Part 15, Subpart B:2017
- IC Rated and ASTM-E283 Air-Tight
- Closet Rated

Round Series

- LED-SLDSKR-5-10W-30K White Finish
- LED-SLDSKR-5-10W-5CCT-WH White Finish
- LED-SLDSKR-7-15W-30K White Finish
- LED-SLDSKR-7-15W-5CCT-WH White Finish
- LED-SLDSKR-12-22W-5CCT-WH White Finish
- LED-SLDSKR-12-24W-5CCT-WH White Finish
- LED-SLDSKR-15-30W-5CCT-WH White Finish
- LED-SLDSKR-15-30W-5CCT-BLK Black Finish
- LED-SLDSKR-15-30W-5CCT-BN Brushed Nickel
- LED-SLDSKR-19-35W-TRI-WH White Finish
- LED-SLDSKR-19-35W-5CCT-WH White Finish
- LED-SLDSKR-19-35W-5CCT-BLK Black Finish
- LED-SLDSKR-19-35W-5CCT-BN Brushed Nickel
- LED-SLDSKR-24-40W-5CCT-WH White Finish
- LED-SLDSKR-24-40W-5CCT-BLK Black Finish

Square Series

- LED-SLDSKSQ-5-10W-TRI White Finish
- LED-SLDSKSQ-5-10W-5CCT-WH White Finish
- LED-SLDSKSQ-7-15W-TRI White Finish
- LED-SLDSKSQ-7-15W-5CCT-WH White Finish
- LED-SLDSKSQ-12-22W-5CCT-WH White Finish

Optional Accessories (Order Separately)

| Round Trims | Square Trims | Emergency Backup | Pendant Stem Mount |
|--|--|--|---|
| SLDSKR-5-TRIM-BLK 5" Round Black | SLDSKSQ-5-TRIM-BLK 5" Square Black | SLDSKR-7-EMB-UNV Surface mount pancake EMB | STM-JBX-6-WH 6" Stem Mount (Adjustable length) White Finish |
| SLDSKR-5-TRIM-BRZ 5" Round Bronze | SLDSKSQ-5-TRIM-BRZ 5" Square Bronze | SLDSKR-7-EMB-EMPTY-UNV Empty surface mount pancake EMB | STM-JBX-6-BLK 6" Stem Mount (Adjustable length) Black Finish |
| SLDSKR-5-TRIM-BNI 5" Round Brushed Nickel | SLDSKSQ-5-TRIM-BNI 5" Square Brushed Nickel | SLDSKR-12-EMB-UNV Surface mount pancake EMB | |
| SLDSKR-7-TRIM-BLK 7" Round Black | SLDSKSQ-7-TRIM-BLK 7" Square Black | SLDSKR-12-EMB-EMPTY-UNV Empty surface mount pancake EMB | |
| SLDSKR-7-TRIM-BRZ 7" Round Bronze | SLDSKSQ-7-TRIM-BRZ 7" Square Bronze | LED-EMB-25W-HV-2P For fixtures up to 25W | |
| SLDSKR-7-TRIM-BNI 7" Round Brushed Nickel | SLDSKSQ-7-TRIM-BNI 7" Square Brushed Nickel | | |
| SLDSKR-12-TRIM-BLK 12" Round Black | SLDSKSQ-12-TRIM-BLK 12" Square Black | | |
| SLDSKR-12-TRIM-BRZ 12" Round Bronze | SLDSKSQ-12-TRIM-BRZ 12" Square Bronze | | |
| SLDSKR-12-TRIM-BNI 12" Round Brushed Nickel | SLDSKSQ-12-TRIM-BNI 12" Square Brushed Nickel | | |

Specs and model numbers are subject to change with or without notice.

SlimLine Surface

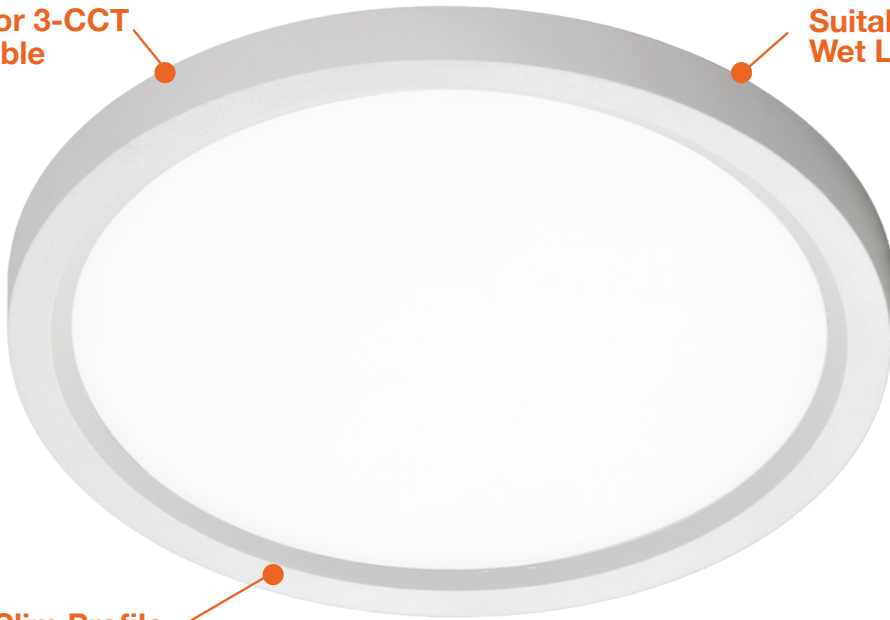
J-Box or E26

FEATURES

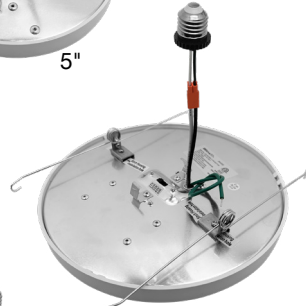
5-CCT or 3-CCT
Selectable

Suitable for
Wet Locations

Super Slim Profile



5"

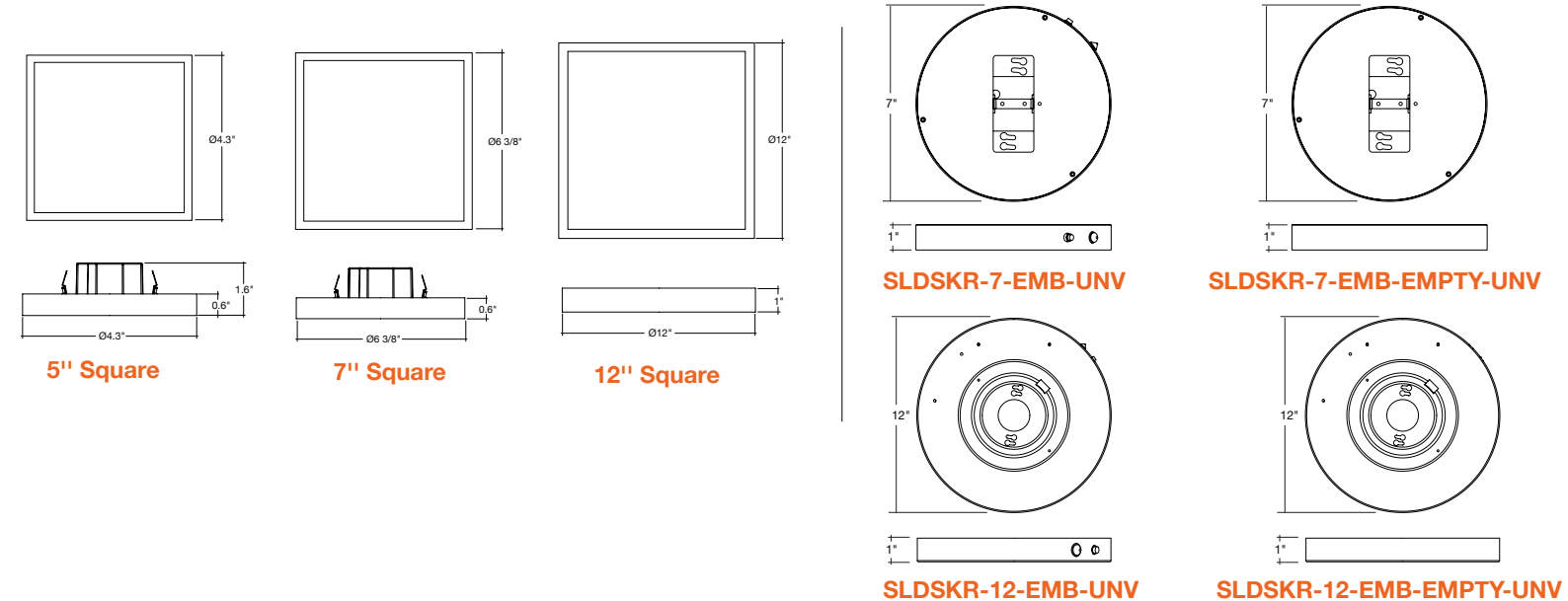
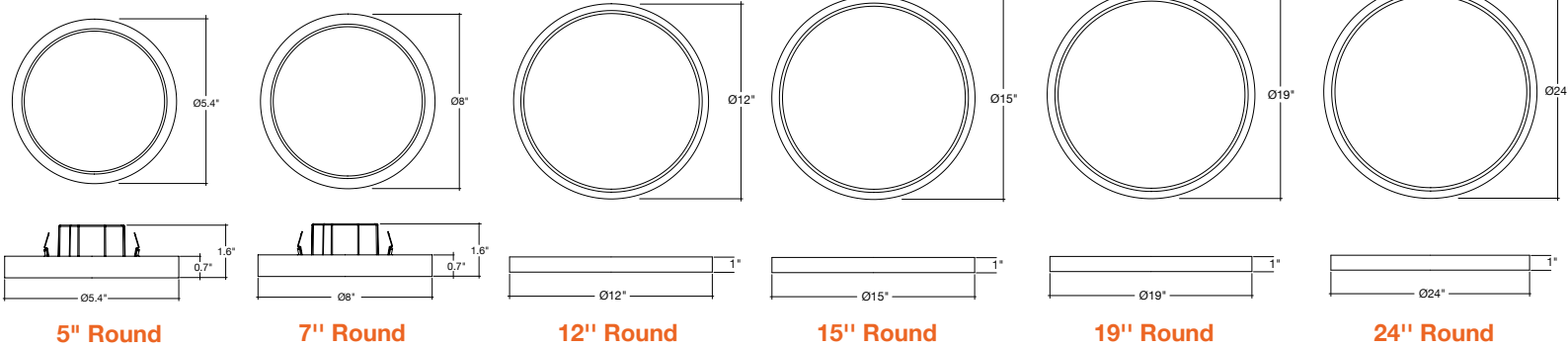


Shown with E26 Base



12"/15"/19"

DIMENSIONS



CLIP-ON TRIMS - 5" / 7" / 12"



ACCESSORIES



SLDSKR-7-EMB-UNV
SLDSKR-12-EMB-UNV

SLDSKR-7-EMB-EMPTY-UNV
SLDSKR-12-EMB-EMPTY-UNV



STM-JBX-6-WH
STM-JBX-6-BLK

SURFACE MOUNTS

| Model | Voltage | Watts | Lumens | Color | CRI |
|----------------------------|---------|-------|--------|-----------------|-----|
| LED-SLDSKR-5-10W-30K | 120V | 10w | 650 | 3000k | >90 |
| LED-SLDSKR-5-10W-5CCT-WH | 120V | 10w | 650 | 27/30/35/40/50k | >90 |
| LED-SLDSKR-7-15W-30K | 120V | 15w | 1,000 | 3000k | >90 |
| LED-SLDSKR-7-15W-5CCT-WH | 120V | 15w | 1,000 | 27/30/35/40/50k | >90 |
| LED-SLDSKR-12-22W-5CCT-WH | 120V | 22w | 1,450 | 27/30/35/40/50k | >90 |
| LED-SLDSKR-12-24W-5CCT-WH | 120V | 24w | 1,800 | 27/30/35/40/50k | >90 |
| LED-SLDSKR-15-30W-5CCT-WH | 120V | 30w | 2,000 | 27/30/35/40/50k | >90 |
| LED-SLDSKR-15-30W-5CCT-BLK | 120V | 30w | 2,000 | 27/30/35/40/50k | >90 |
| LED-SLDSKR-15-30W-5CCT-BN | 120V | 30w | 2,000 | 27/30/35/40/50k | >90 |
| LED-SLDSKR-19-35W-TRI-WH | 120V | 35w | 2,200 | 30/40/50k | >90 |
| LED-SLDSKR-19-35W-5CCT-WH | 120V | 35w | 2,200 | 27/30/35/40/50k | >90 |
| LED-SLDSKR-19-35W-5CCT-BLK | 120V | 35w | 2,200 | 27/30/35/40/50k | >90 |
| LED-SLDSKR-19-35W-5CCT-BN | 120V | 35w | 2,200 | 27/30/35/40/50k | >90 |

FIXTURE, TRIM, & ACCESSORY

| Trim Model | Description |
|---------------------|--------------------------------|
| SLDSKR-5-TRIM-BLK | Black 5" Round Trim |
| SLDSKR-5-TRIM-BRZ | Bronze 5" Round Trim |
| SLDSKR-5-TRIM-BNI | Brushed Nickel 5" Round Trim |
| SLDSKR-7-TRIM-BLK | Black 7" Round Trim |
| SLDSKR-7-TRIM-BRZ | Bronze 7" Round Trim |
| SLDSKR-7-TRIM-BNI | Brushed Nickel 7" Round Trim |
| SLDSKR-12-TRIM-BLK | Black 12" Round Trim |
| SLDSKR-12-TRIM-BRZ | Bronze 12" Round Trim |
| SLDSKR-12-TRIM-BNI | Brushed Nickel 12" Round Trim |
| SLDSKSQ-5-TRIM-BLK | Black 5" Square Trim |
| SLDSKSQ-5-TRIM-BRZ | Bronze 5" Square Trim |
| SLDSKSQ-5-TRIM-BNI | Brushed Nickel 5" Square Trim |
| SLDSKSQ-7-TRIM-BLK | Black 7" Square Trim |
| SLDSKSQ-7-TRIM-BRZ | Bronze 7" Square Trim |
| SLDSKSQ-7-TRIM-BNI | Brushed Nickel 7" Square Trim |
| SLDSKSQ-12-TRIM-BLK | Black 12" Square Trim |
| SLDSKSQ-12-TRIM-BRZ | Bronze 12" Square Trim |
| SLDSKSQ-12-TRIM-BNI | Brushed Nickel 12" Square Trim |

SURFACE MOUNTS

| Accessory Model | Description |
|-------------------------|---------------------------------|
| SLDSKR-7-EMB-UNV | Surface mount pancake EMB |
| SLDSKR-7-EMB-EMPTY-UNV | Empty surface mount pancake EMB |
| SLDSKR-12-EMB-UNV | Surface mount pancake EMB |
| SLDSKR-12-EMB-EMPTY-UNV | Empty surface mount pancake EMB |

PENDANT STEM MOUNT

| Accessory Model | Description |
|-----------------|--|
| STM-JBX-6-WH | 6' Stem Mount (Adjustable length) White Finish |
| STM-JBX-6-BLK | 6' Stem Mount (Adjustable length) Black Finish |

TESTED COMPATIBLE DIMMERS

Other dimmers may be compatible but have not been tested. Please contact us for more information.

| Lutron | Lutron |
|-----------|-----------|
| PD-6WCL | MACL-153M |
| DVCL-153P | LECL-153P |
| CTCL-153P | |

| Model | Voltage | Watts | Lumens | Color | CRI |
|----------------------------|---------|-------|--------|-----------------|-----|
| LED-SLDSKSQ-5-10W-TRI | 120V | 10w | 650 | 30/40/50k | >90 |
| LED-SLDSKSQ-5-10W-5CCT-WH | 120V | 10w | 650 | 27/30/35/40/50k | >90 |
| LED-SLDSKSQ-7-15W-TRI | 120V | 15w | 1,000 | 30/40/50k | >90 |
| LED-SLDSKSQ-7-15W-5CCT-WH | 120V | 15w | 1,000 | 27/30/35/40/50k | >90 |
| LED-SLDSKSQ-12-22W-5CCT-WH | 120V | 22w | 1,450 | 27/30/35/40/50k | >90 |