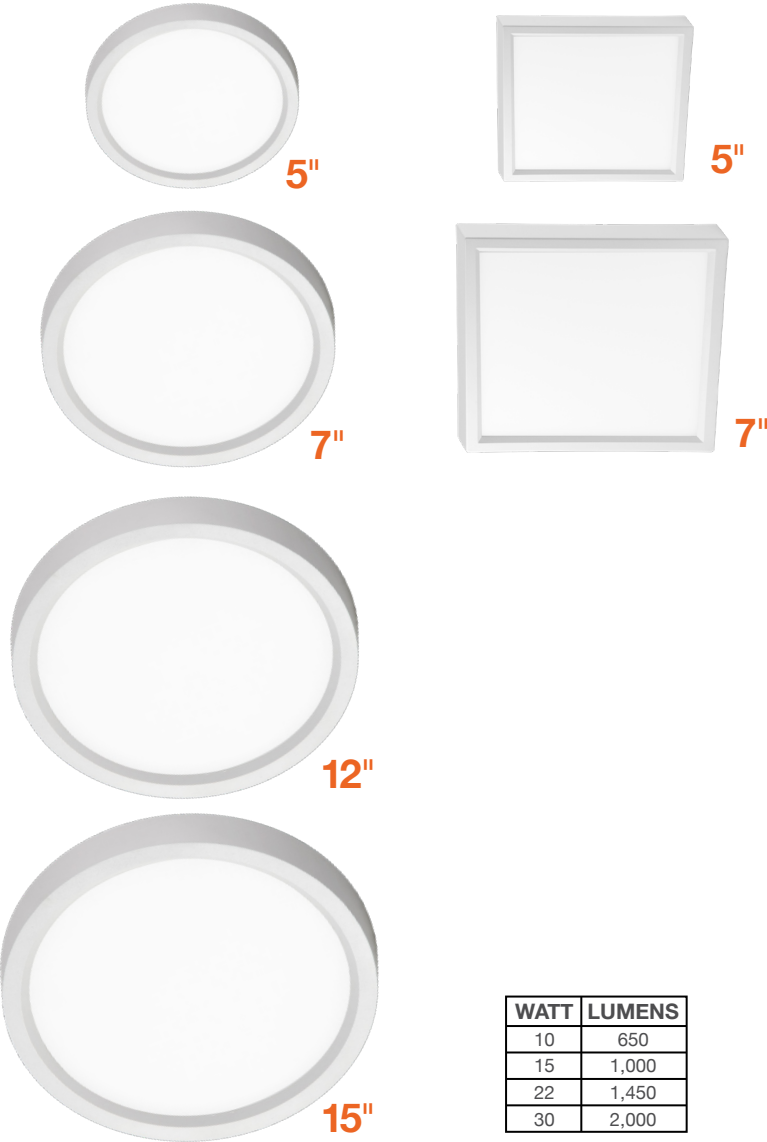


# SlimLine Surface Mounts

## 120-277V 0-10V Dimmable



WATT	LUMENS
10	650
15	1,000
22	1,450
30	2,000

### Detail Specifications:

- Finishes: White, Bronze, Black, Brushed Nickel
- IP Rating: Wet Location
- Beam Angle: 110°
- Chip: SMD 2835, R9 >50, CRI >90
- 5-CCT: 27/30/35/40/50K
- 3 Step MacAdam Ellipses
- Operating Temperature: -40° - 114° F
- Lens: Frosted, non-yellowing
- Average life (L70) of 50,000 hours

### Applications:

- General Recessed Lighting
- Residential & Multifamily
- Office and Meeting Rooms
- Education, Healthcare, Retail, Hospitality

### Product Information:

- AC technology: slim and easy driverless installation
- Edge-lit technology: reduces glare with even light distribution
- Standard white round trim included: optional trims available

### Driver Options:

- 120-277V 0-10V Dimmable
- (Triac dimmable available on separate spec sheet)
- THD: <15% (+/-5% tolerance), PF >0.9, 50/60Hz
- Isolated Driver
- Flicker Free

### Mounting & Installations:

- Junction Box
  - 5 & 7": 40/4S Junction Box
  - 12 & 15": 30/40/4S Junction Box
- 5", 7", 12" Recessed Can Converter

### Certifications:

- ETL Listed for USA and CA
- Energy Star Certified
- CA Title 24 JA8-2022 CEC Listed
- 5 Year Limited Warranty
- FCC CFR 47, GCC Part 15, Subpart B:2017
- IC Rated and ASTM-E283 Air-Tight
- Closet Rated

### Series

- LED-SLDSKR-5-10W-5CCT-WH-0/10V**  
10W • 650lm • 120-277V
- LED-SLDSKR-7-15W-5CCT-WH-0/10V**  
15W • 1,000lm • 120-277V
- LED-SLDSKR-12-22W-5CCT-WH-0/10V**  
22W • 1,450lm • 120-277V
- LED-SLDSKR-15-30W-5CCT-WH-0/10V**  
30W • 2,000lm • 120-277V
- LED-SLDSKSQ-5-10W-5CCT-WH-0/10V**  
10W • 650lm • 120-277V
- LED-SLDSKSQ-7-15W-5CCT-WH-0/10V**  
15W • 1,000lm • 120-277V

1. Standard quick ship finish is white. Other colors are custom finishes.
2. Custom height options available. Contact us.

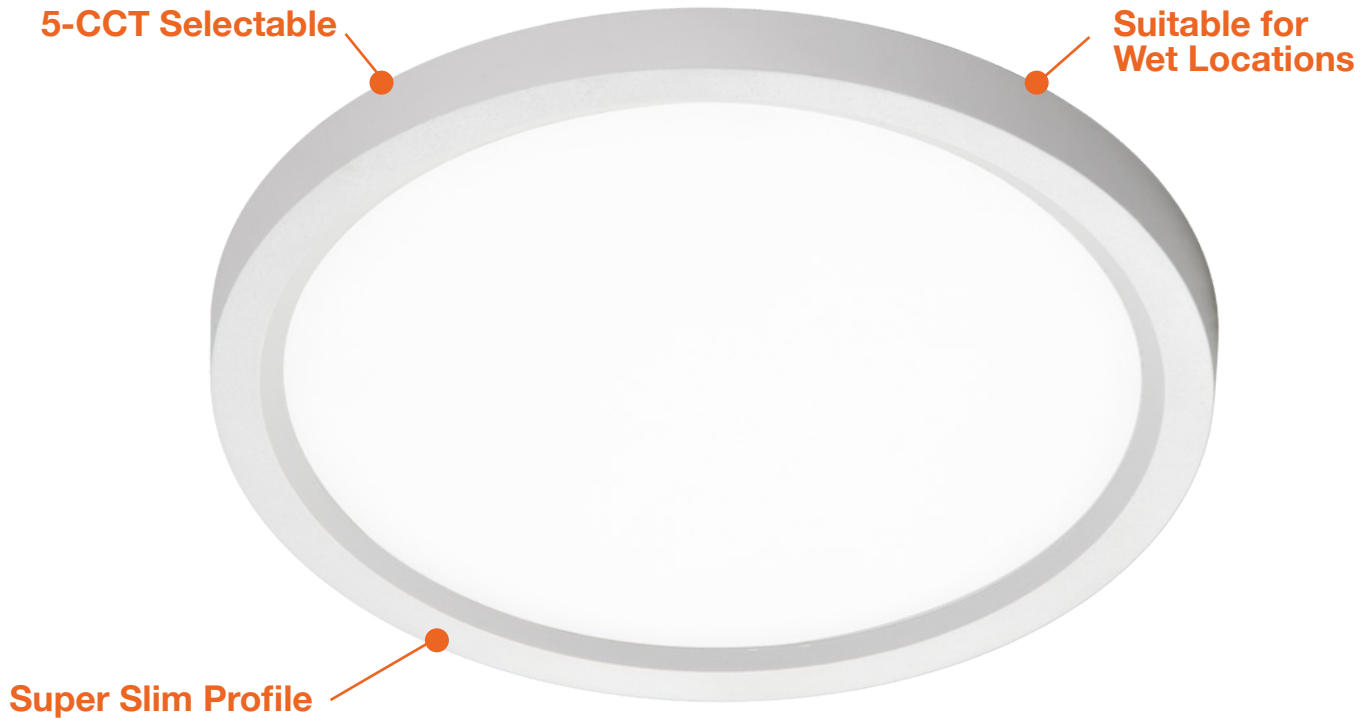
### Optional Accessories (Order Separately)

Round Trims	Square Trims	Recessed Can Converter	Emergency Backup	Pendant Stem Mount
<b>SLDSKR-5-TRIM-BLK</b> 5" Round Black	<b>SLDSKSQ-5-TRIM-BLK</b> 5" Square Black	<b>SLDSK-4CLIP</b> 4" Recessed Can Converter	<b>SLDSKR-7-EMB-UNV</b> Surface mount pancake EMB	<b>STM-JBX-6-WH</b> 6' Stem Mount (Adjustable length)
<b>SLDSKR-5-TRIM-BRZ</b> 5" Round Bronze	<b>SLDSKSQ-5-TRIM-BRZ</b> 5" Square Bronze	for 5" fixtures	<b>SLDSKR-7-EMB-EMPTY-UNV</b> Empty surface mount pancake EMB	White Finish
<b>SLDSKR-5-TRIM-BNI</b> 5" Round Brushed Nickel	<b>SLDSKSQ-5-TRIM-BNI</b> 5" Square Brushed Nickel	<b>SLDSK-7-6CLIP</b> 6" Recessed Can Converter	for 7" fixtures	<b>STM-JBX-6-BLK</b> 6' Stem Mount (Adjustable length)
<b>SLDSKR-7-TRIM-BLK</b> 7" Round Black	<b>SLDSKSQ-7-TRIM-BLK</b> 7" Square Black	for 7" fixtures	<b>SLDSKR-12-EMB-UNV</b> Surface mount pancake EMB	Black Finish
<b>SLDSKR-7-TRIM-BRZ</b> 7" Round Bronze	<b>SLDSKSQ-7-TRIM-BRZ</b> 7" Square Bronze	<b>SLDSK-12-6CLIP</b> 6" Recessed Can Converter	<b>SLDSKR-12-EMB-EMPTY-UNV</b> Empty surface mount pancake EMB	
<b>SLDSKR-7-TRIM-BNI</b> 7" Round Brushed Nickel	<b>SLDSKSQ-7-TRIM-BNI</b> 7" Square Brushed Nickel	for 12" fixtures	<b>LED-EMB-8W-HV-0/10V-2P</b> For fixtures up to 15W	
<b>SLDSKR-12-TRIM-BLK</b> 12" Round Black	<b>SLDSKSQ-12-TRIM-BLK</b> 12" Square Black		<b>LED-EMB-15W-HV-0/10V-2P</b> For fixtures up to 22W	
<b>SLDSKR-12-TRIM-BRZ</b> 12" Round Bronze	<b>SLDSKSQ-12-TRIM-BRZ</b> 12" Square Bronze		<b>LED-EMB-25W-HV-0/10V-2P</b> For fixtures up to 35W	
<b>SLDSKR-12-TRIM-BNI</b> 12" Round Brushed Nickel	<b>SLDSKSQ-12-TRIM-BNI</b> 12" Square Brushed Nickel			

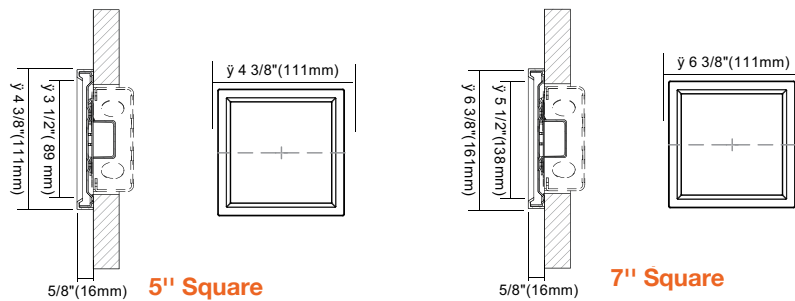
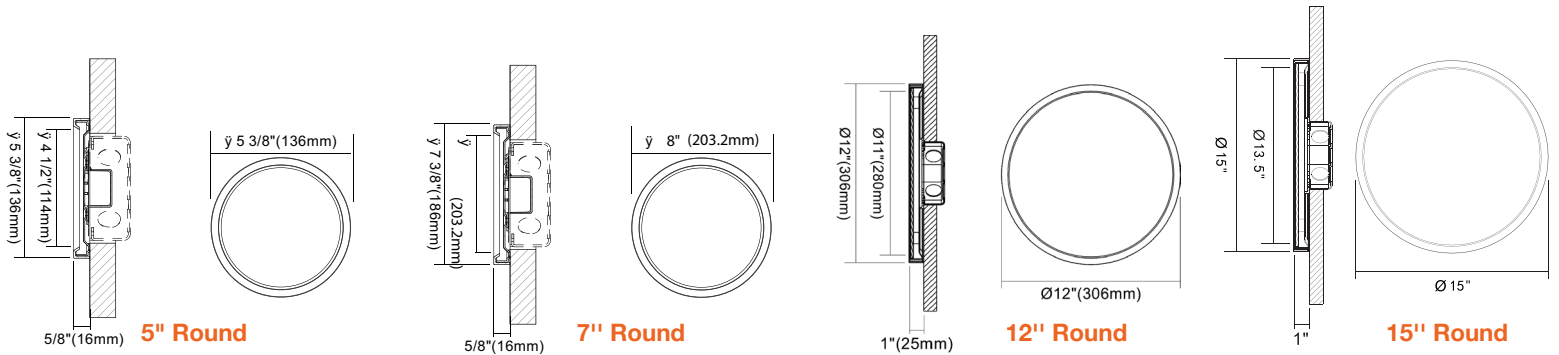
# SlimLine Surface Mounts

120-277V 0-10V Dimmable

## FEATURES



## DIMENSIONS



# SlimLine Surface Mounts

120-277V 0-10V Dimmable

## CLIP-ON TRIMS - 5" / 7" / 12"



-BNI



-BLK



-BRZ



-BNI



-BLK



-BRZ

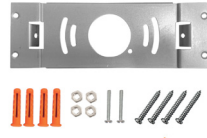
## ACCESSORIES



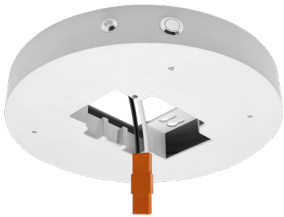
SLDSK-4CLIP



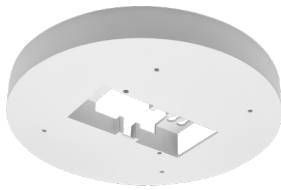
SLDSK-7-6CLIP



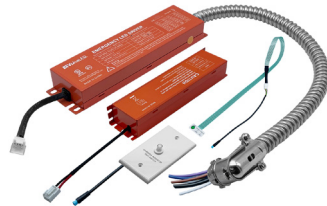
SLDSK-12-6CLIP



SLDSKR-7-EMB-UNV  
SLDSKR-12-EMB-UNV



SLDSKR-7-EMB-EMPTY-UNV  
SLDSKR-12-EMB-EMPTY-UNV



LED-EMB-8W-HV-0/10V-2P  
LED-EMB-15W-HV-0/10V-2P



30° ANGLE

STM-JBX-6-WH  
STM-JBX-6-BLK

## FIXTURE, TRIM, & ACCESSORY

Trim Model	Description
SLDSKR-5-TRIM-BLK	Black 5" Round Trim
SLDSKR-5-TRIM-BRZ	Bronze 5" Round Trim
SLDSKR-5-TRIM-BNI	Brushed Nickel 5" Round Trim
SLDSKR-7-TRIM-BLK	Black 7" Round Trim
SLDSKR-7-TRIM-BRZ	Bronze 7" Round Trim
SLDSKR-7-TRIM-BNI	Brushed Nickel 7" Round Trim
SLDSKR-12-TRIM-BLK	Black 12" Round Trim
SLDSKR-12-TRIM-BRZ	Bronze 12" Round Trim
SLDSKR-12-TRIM-BNI	Brushed Nickel 12" Round Trim
SLDSKSQ-5-TRIM-BLK	Black 5" Square Trim
SLDSKSQ-5-TRIM-BRZ	Bronze 5" Square Trim
SLDSKSQ-5-TRIM-BNI	Brushed Nickel 5" Square Trim
SLDSKSQ-7-TRIM-BLK	Black 7" Square Trim
SLDSKSQ-7-TRIM-BRZ	Bronze 7" Square Trim
SLDSKSQ-7-TRIM-BNI	Brushed Nickel 7" Square Trim
SLDSKSQ-12-TRIM-BLK	Black 12" Square Trim
SLDSKSQ-12-TRIM-BRZ	Bronze 12" Square Trim
SLDSKSQ-12-TRIM-BNI	Brushed Nickel 12" Square Trim

## CLIPS

Accessory Model	Description
SLDSK-4CLIP	Recessed Can Converter for 5" fixtures
SLDSK-7-6CLIP	6" Recessed Can Converter for 7" fixtures
SLDSK-12-6CLIP	6" Recessed Can Converter for 12" fixtures

## SURFACE MOUNTS

Accessory Model	Description
SLDSKR-7-EMB-UNV	Surface mount pancake EMB
SLDSKR-7-EMB-EMPTY-UNV	Empty surface mount pancake EMB
SLDSKR-12-EMB-UNV	Surface mount pancake EMB
SLDSKR-12-EMB-EMPTY-UNV	Empty surface mount pancake EMB

## EMERGENCY BACKUP

Accessory Model	Description
LED-EMB-8W-HV-0/10V-2P	For fixtures up to 15W
LED-EMB-15W-HV-0/10V-2P	For fixtures up to 22W

## PENDANT STEM MOUNT

Accessory Model	Description
STM-JBX-6-WH	6' Stem Mount (Adjustable length) White Finish
STM-JBX-6-BLK	6' Stem Mount (Adjustable length) Black Finish

## TESTED COMPATIBLE DIMMERS

Other dimmers may be compatible but have not been tested. Please contact us for more information.

Lutron	Leviton	Legrand	Cooper
DVCL-153P	NTELV-300P	6633	DLV703
DV-600PR	S-600P	6674	H703PTW
DVCL-153P	CT-600P	6672	DAL03P
MACL-153MH	CTCL-153P	6613	
MRF2-6CL	TG-600P		
D-600P	TGCL-153P		