
Installation Guide

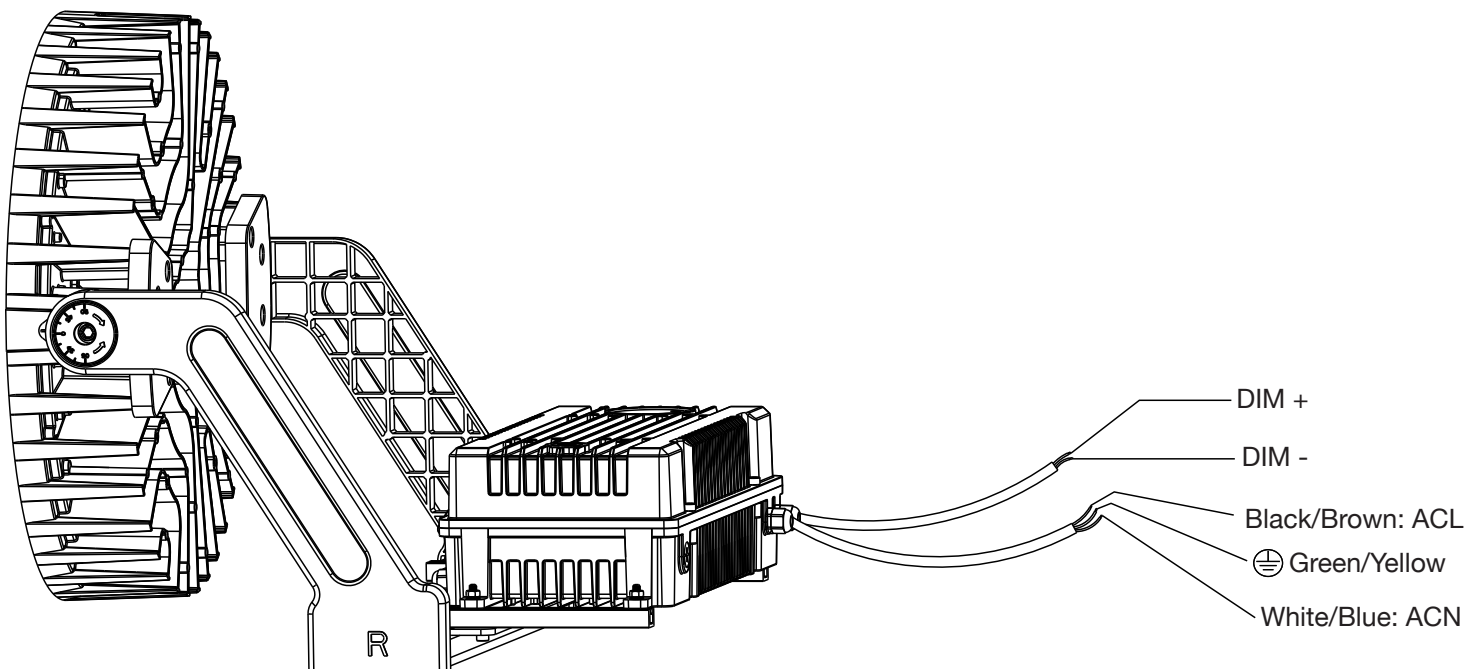
APPLICATION

For stadium and large arena lighting. Can also be used for shipyards, airports, docks and other high pole installation applications. Can also be used for long-distance small-angle projection and large architectural outline lighting.

CAUTION

1. The product should be installed, inspected and maintained by a qualified electrician in accordance with local national electrical safety regulations.
2. Turn off power before checking, installing or removal.
3. Ensure that the voltage used is the voltage within the product identification range.
4. Use wires that comply with UL (or other local standards) for wiring. The voltage AC100-277V should be wired with not less than 14AWG and the voltage AC277-480V should be wired with not less than 16 AWG.
5. Do not install in a hazardous environment. The ambient temperature must not exceed the rated operating temperature of the product.
6. Do not install the product when it rains. Avoid the danger of lighting strikes and avoid accidents.
7. Please use with listed waterproof strain relief bushing when connecting the power supply cord to outlet box.
8. Can not use the electric generator to test the LED lamp.
9. External 0-10V only passive dimmers are supported.

WIRING DIAGRAM



Notice: Please use the dimming +, dimming - (DC10V) marking leads to connect to outside dimmer.
Class 1 wiring only.
Please assure a cumulative leakage current of less than 3.5mA on the control circuit.
The AUX control wire with shrinkable tubing shall not be damaged (no connection)

Power Box Installation:

Use a tool to loosen the four M6 nuts that fix the power supply box, slide the power supply box along the guide rail and move it to a suitable position, tighten the four M6 nuts to fix the power supply box (Fig. 1)

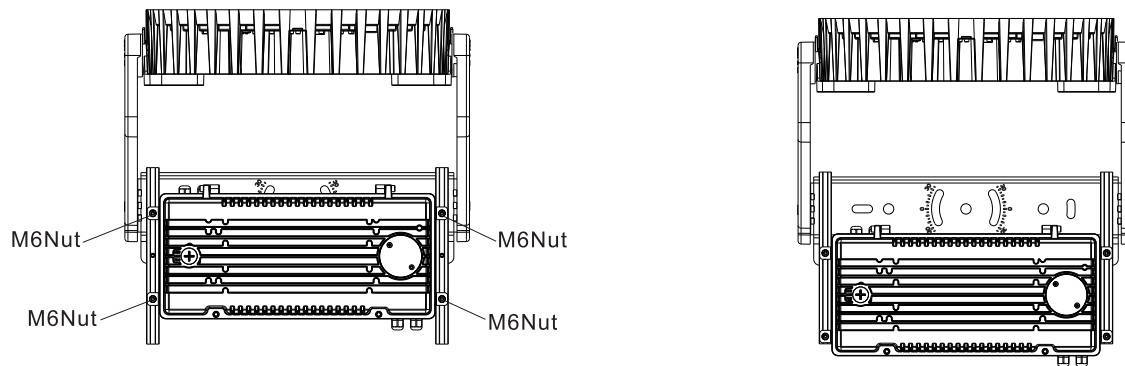


Figure 1

Installation of LED Lamps 1:

POLE MOUNTING

1. Mark the hole distance S1 or S2 shown in the product to be installed (Fig. 2)
2. Drill two holes of distance S1 or S2 on the mounting bar (Fig. 3)

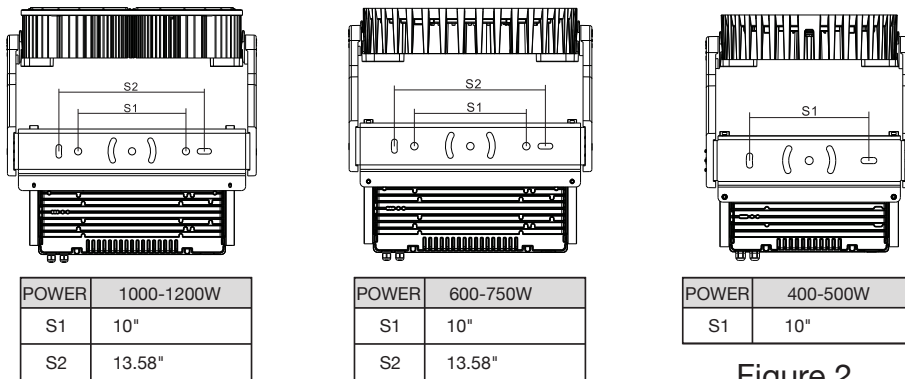


Figure 2

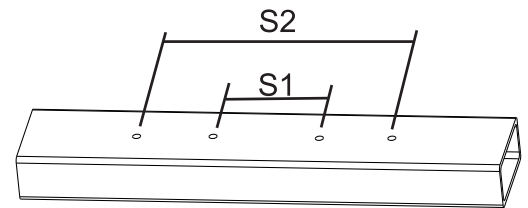


Figure 3

3. Install the luminaire on the crossbar and secure it with nuts, spring washers and flat washers (Fig. 4)
4. Use an open-end wrench and hex wrench to loosen the adjustment screw used to adjust the angle (Fig. 5)

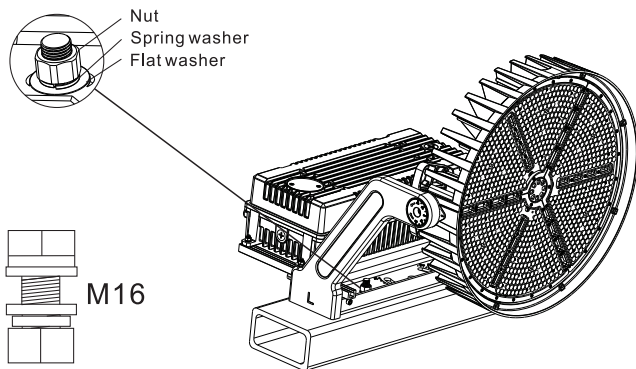


Figure 4

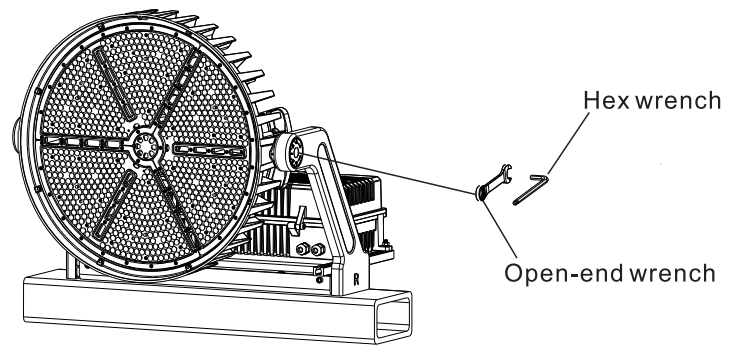


Figure 5

5. Adjust the projection point to the light beam angle of your choice.
6. Complete the projection angle adjustment and lock the adjustment screws
7. According to the previous wiring diagram and select one desired method of wiring.

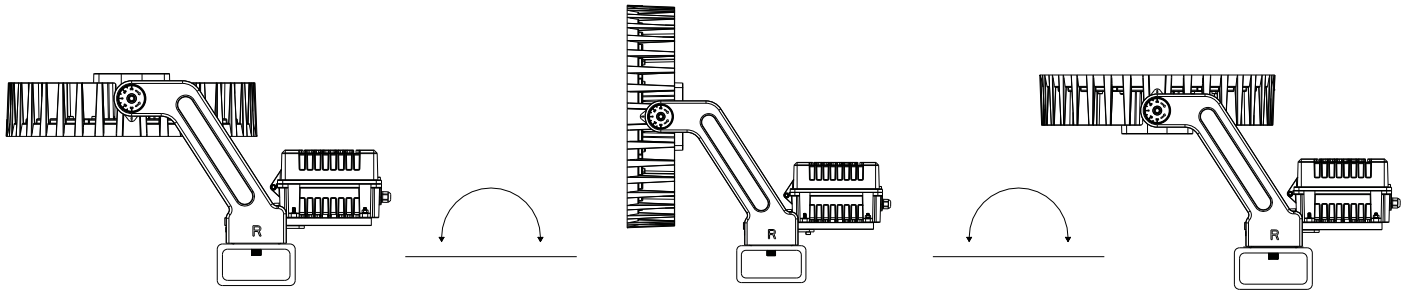


Figure 6

**Installation of LED Lamps 2:
POLE MOUNTING**

1. According to the need to adjust the lighting direction, can be 360 degrees rotation adjustment, tightened with screws when the adjustment is completed (Fig 7)
2. Use an open-end wrench and hex wrench to loosen the adjusting screw for adjusting the angle. (Fig. 8)

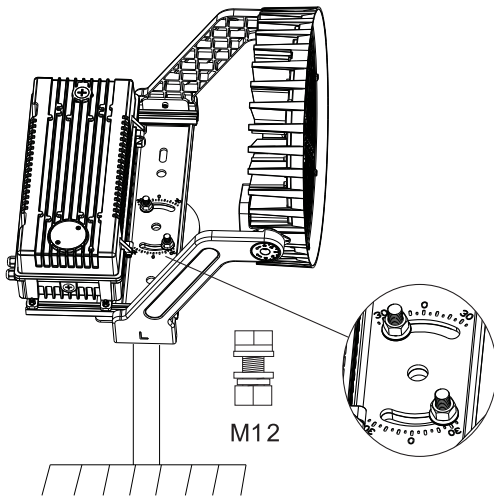


Figure 7

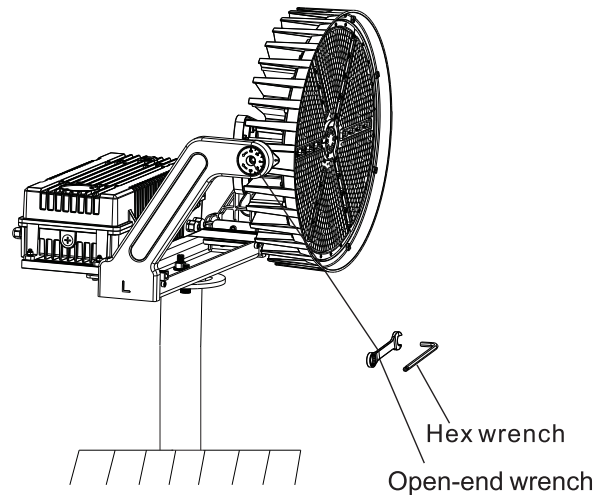


Figure 8

3. According to the need, carry out the projection angle adjustment (Fig. 9)
4. Complete the projection angle adjustment and lock the adjustment screw.

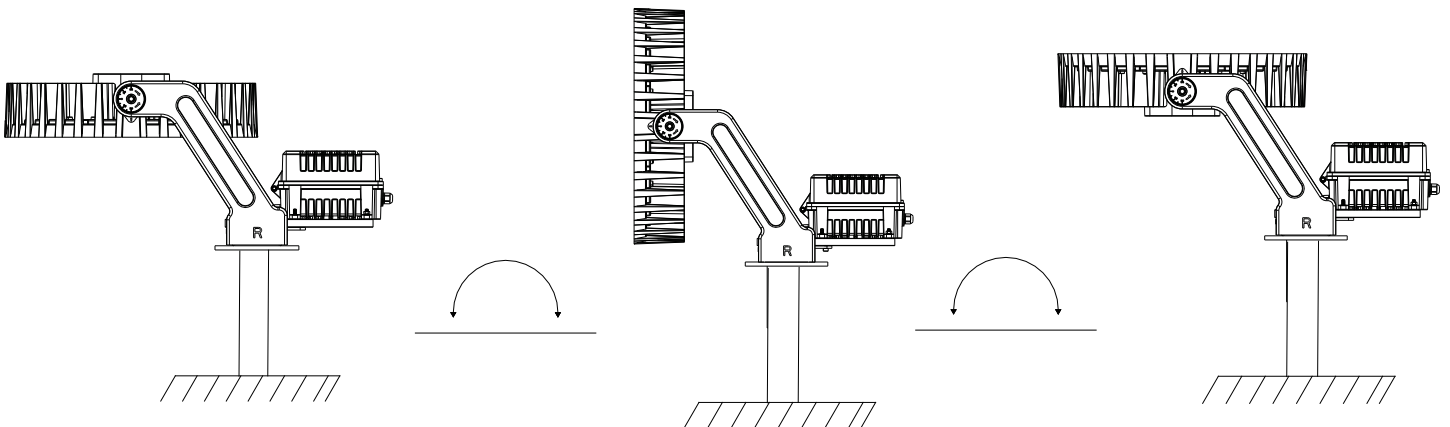


Figure 9

Adjustable Fitter Mounting

1. Remove the bracket mounting screws on the fixture and run the wires through the bracket. (Fig. 10)
2. Install the bracket on the fixture (Fig. 11)

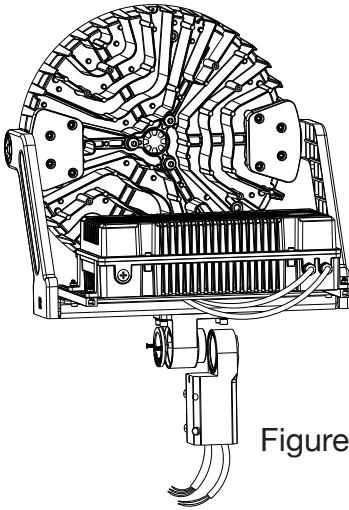


Figure 10

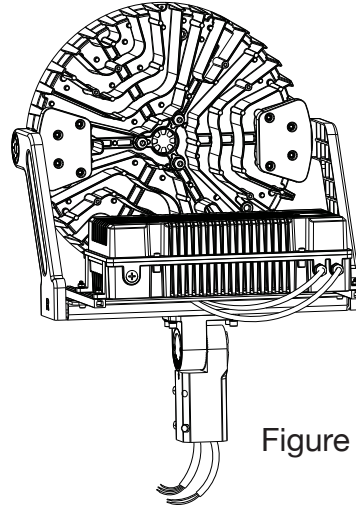


Figure 11

3. Use an open-end wrench and hex wrench to loosen the adjusting screw for adjusting the angle (Fig 12)
Notice: Adjustable angle is 0-90°

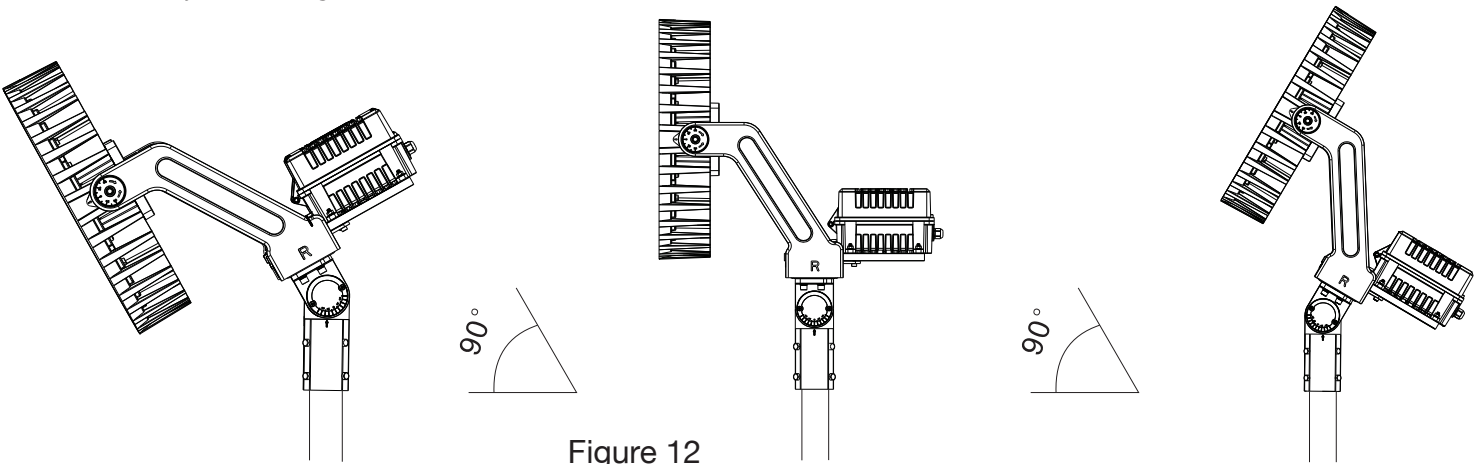


Figure 12

Instructions for Light Shield

When the light shield function is required, Assemble the light barrier to the luminaire with a screwdriver as required. (Fig 13)

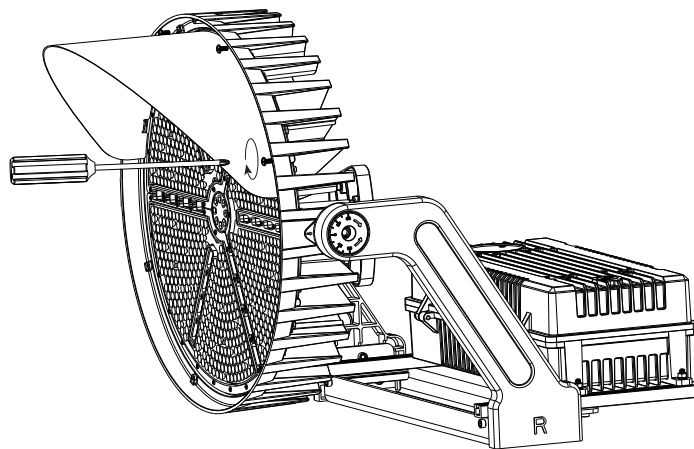


Figure 13

Photocell Placement

When the photocell function is required, photocell should be installed on the back of the lamp. When it is not required shorting cap should be installed on the back of lamp. (Fig. 14)

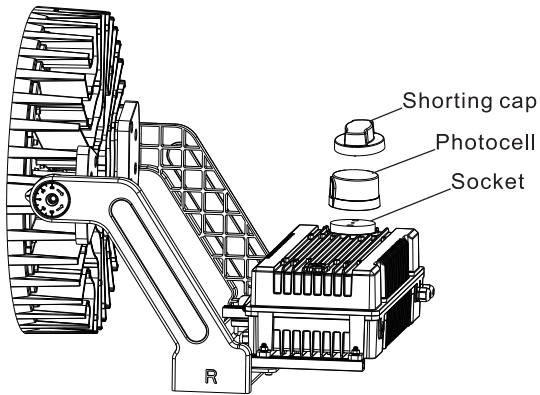


Figure 14

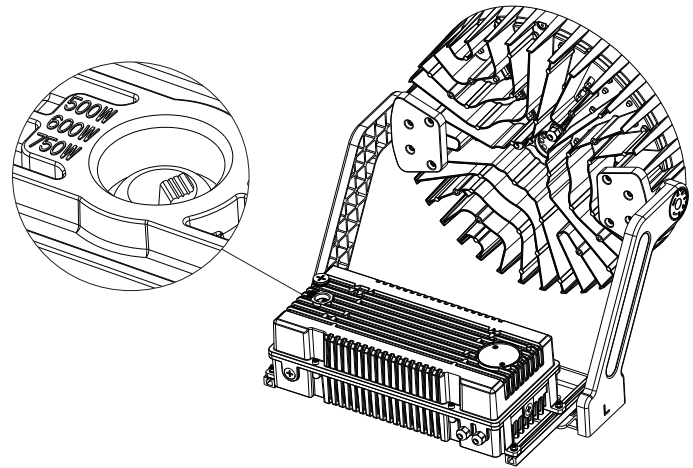


Figure 15

Wattage Selection

The light fixture with watt adjustable function, tear off the plug, switch it to the tap position you need (Fig. 15)

500W model: 300W, 400W, 500W Factory Setting: 500W

750W model: 450W, 600W, 750W Factory Setting: 750W

1200W model: 800W, 1000W, 1200W Factory Setting: 1200W

Note: All adjustable power wattages can be changed by desired wattage

The supply cord shall not pass through the mounting support and shall be 6 inches longer than mounting support. Junction box cover is not provided in this luminaire, UL listed junction box cover should be used during installation. Connect the supply cable to the listed junction box, not in the pole and shall use bushing to prevent strain relief for supply cord.

Min 194° F supply conductors

This product must be installed in accordance with the applicable installation code by a person familiar with the construction and operation of the product and hazards involved. All components in the luminaire shall not be replaced or serviced.