



Sports Light Fixture: Magna-Line

3-Power Selectable & Remote Capable



| RGB | WATTS | LUMENS |
|----------------|-------|--------|
| Red/Green/Blue | 500 | 26,600 |
| R | 175 | 3,400 |
| G | 175 | 22,400 |
| B | 175 | 1,866 |

Detail Specifications

- Finish: Black (made to order colors available)
- IP Rating: Wet Location
- Beam Angle: 20° NEMA 3 standard (Wider custom optics available)
- RGB: Red, Green, Blue
- Chip: SMD 3030, R9 >50, CRI >80
- Operating Temperature: -40° - 114° F
- Lens: PC Lens: Clear acrylic with optics
- EPA:
 - 3P600: 3.0FT²
 - 3P1200: 3.4FT²
- Average life (L70) of 70,000 hours

Applications:

- Sports Arenas and Recreational Fields
- Yard, Barn, Agriculture lighting
- High mast
- Outdoor Lighting

Product Information:

- Sturdy die-cast aluminum housing finished with corrosion free powder coat
- 5 beam angle options available
- Shield is included with every fixture
- Select-n-Switch Technology : 3-Power Selectable
- Instant-On to full brightness
- 3' power cord standard on all fixtures

Driver Options:

- UNV: 120-277V 0-10V Dimmable
- HV: 220-480V 0-10V Dimmable
- Built in 10Kv Surge Protector
- DMX512 dimming standard for theatrical effects
- Compatible with Synapse Wireless & AVI-ON controls
- THD: <20% (+/-5% tolerance), PF >0.9, 50/60Hz

Mounting & Installation:

- Standard yoke mount included
- Optional slip fitter available
- Head tilts up and down 90°
- Remote capable driver up to 40 feet away from the fixture
- See installation guide for more details

Certifications:

- UL Listed for USA and CA
- DLC Premium Listed
- ROHS Compliant
- IESNA LM-79 & LM-80 tests available
- Approved for CA T24
- ANSI 3G Vibration Rated
- FCC CFR 47, GCC Part 15, Subpart B:2017
- 5 Year Limited Warranty

Series
LED-SPL-500W-RGB-YK -
 500W • 120-277V
 Yoke Mount

| Voltage ¹ | Finish ² | Optic | Photocell |
|----------------------|---------------------|---------|--------------|
| UNV | BLK | (Blank) | (Blank) |
| 120-277V | (Standard) | 20° | No Photocell |
| HV | CS ² | NEMA 3 | PC |
| 220-480V | Custom | 30D | Dusk to Dawn |
| | Color | 30° | Photocell |
| | | 60D | |
| | | 60° | |

1. Standard quick ship is UNV. HV is made to order locally.

2. Standard quick ship is black. Other colors are custom finishes available at the factory level.

Optional Accessories (Order Separately)

| Mounts | Laser Aiming Device |
|-------------------|---------------------|
| SPL-SF2 | SPL-LSR |
| Field Installable | Laser Aiming |
| Slip Fitter | Device |

Sports Light Fixture: Magna-Line

3-Power Selectable & Remote Capable

FEATURES



Shield Included (Separately)



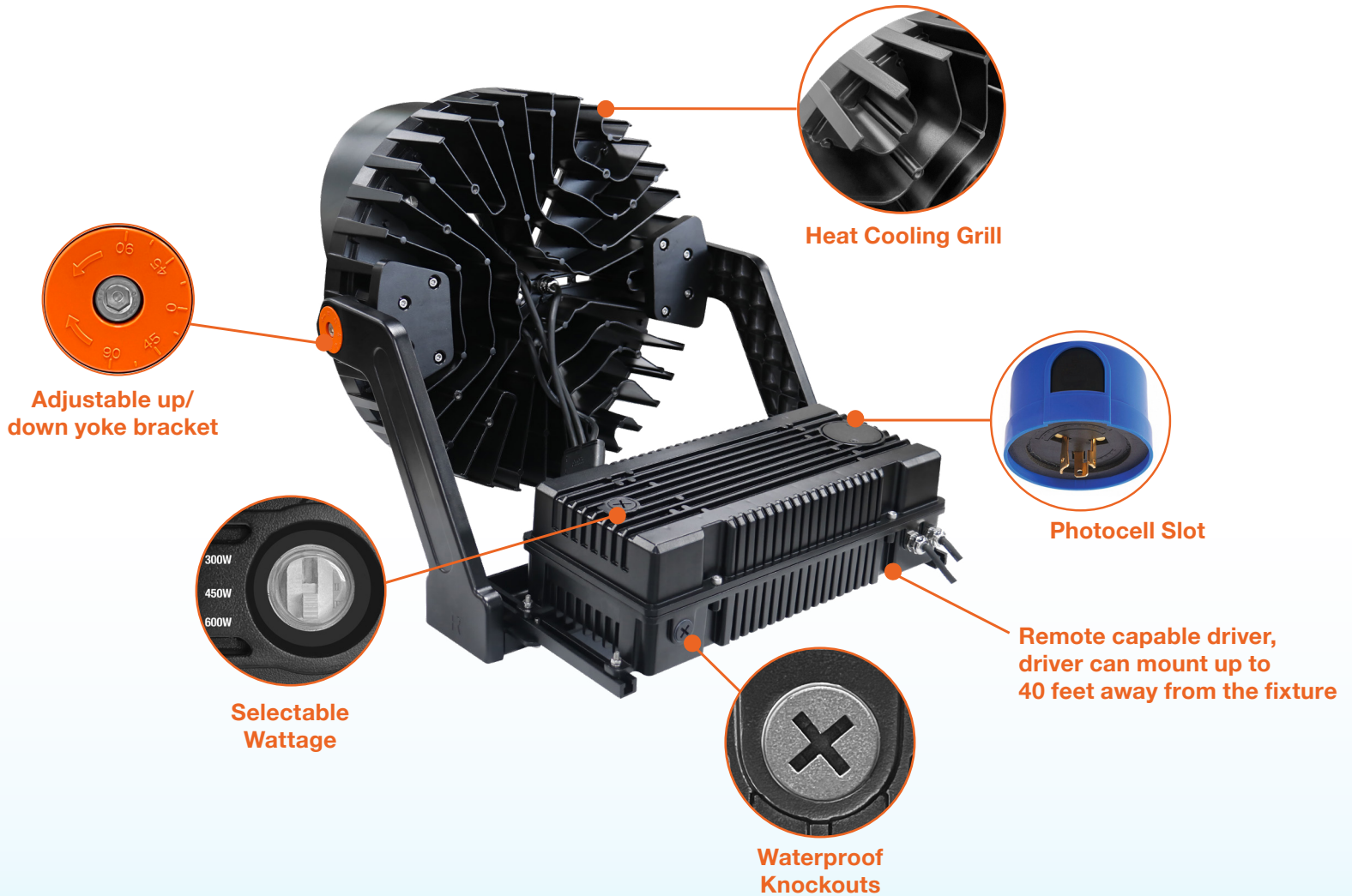
SPL-LSR

Laser beam pointer available

Optics on each chip for the perfect beam angle



Front



Heat Cooling Grill

Adjustable up/down yoke bracket

Photocell Slot

Selectable Wattage

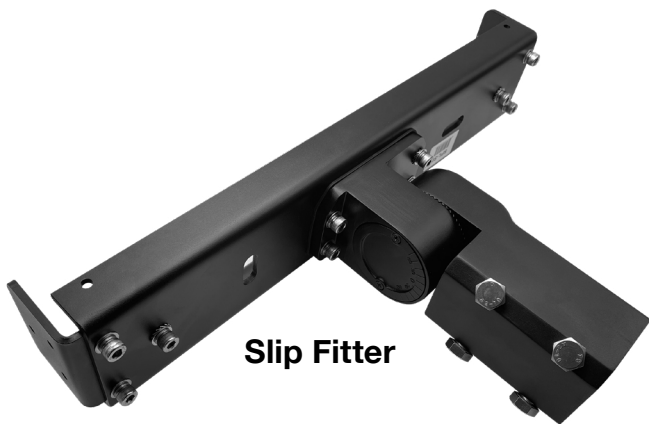
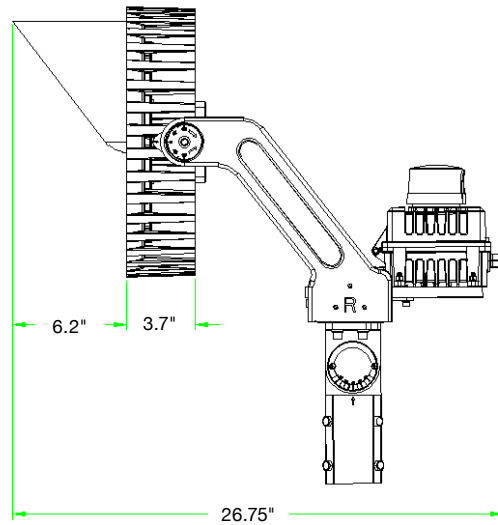
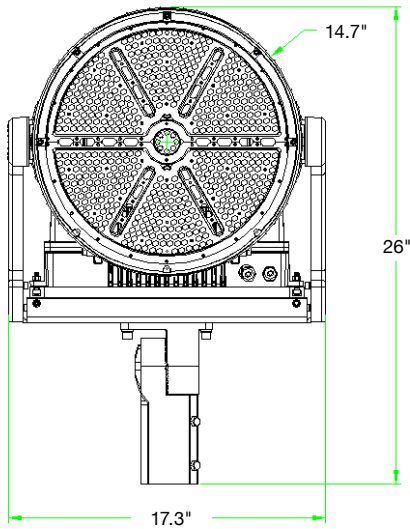
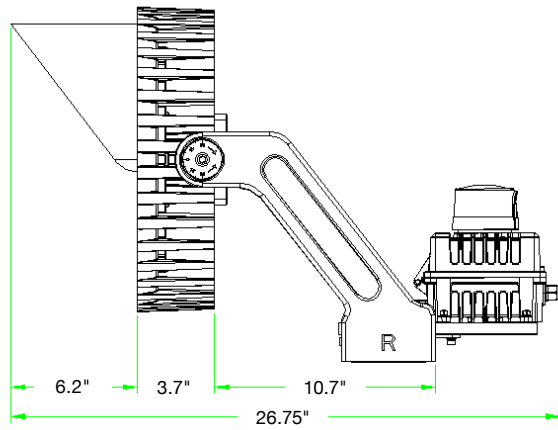
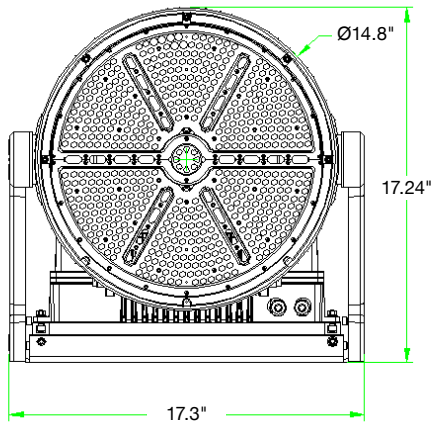
Remote capable driver, driver can mount up to 40 feet away from the fixture

Waterproof Knockouts

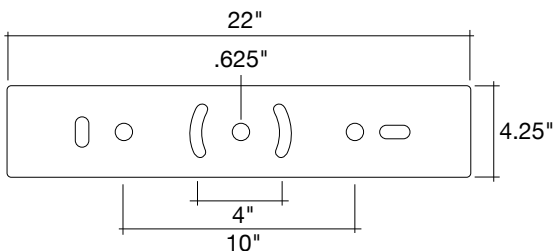
Sports Light Fixture: Magna-Line

3-Power Selectable & Remote Capable

DIMENSIONS



Slip Fitter



EPA Rating & Gross Weight

| Model | Weight | EPA Rating | Bug |
|-------------------------|---------|--------------------|----------|
| LED-SPL-500W-RGB-YK-BLK | 41 LBS. | 3.0FT ² | B5-UO-G5 |

Models & Accessories

| Model | Description |
|-----------------|---|
| SPL-480V-DRIVER | 480V Adder for Sports Light Stadium Fixture (600w requires 1. 1200w requires 2) |
| SPL-SF | Slip Fitter for Sports Light Stadium Fixture |
| SPL-LSR | Laser Aiming Device |

*Custom optics, colors and optics are available.
Inquire factory for more information*