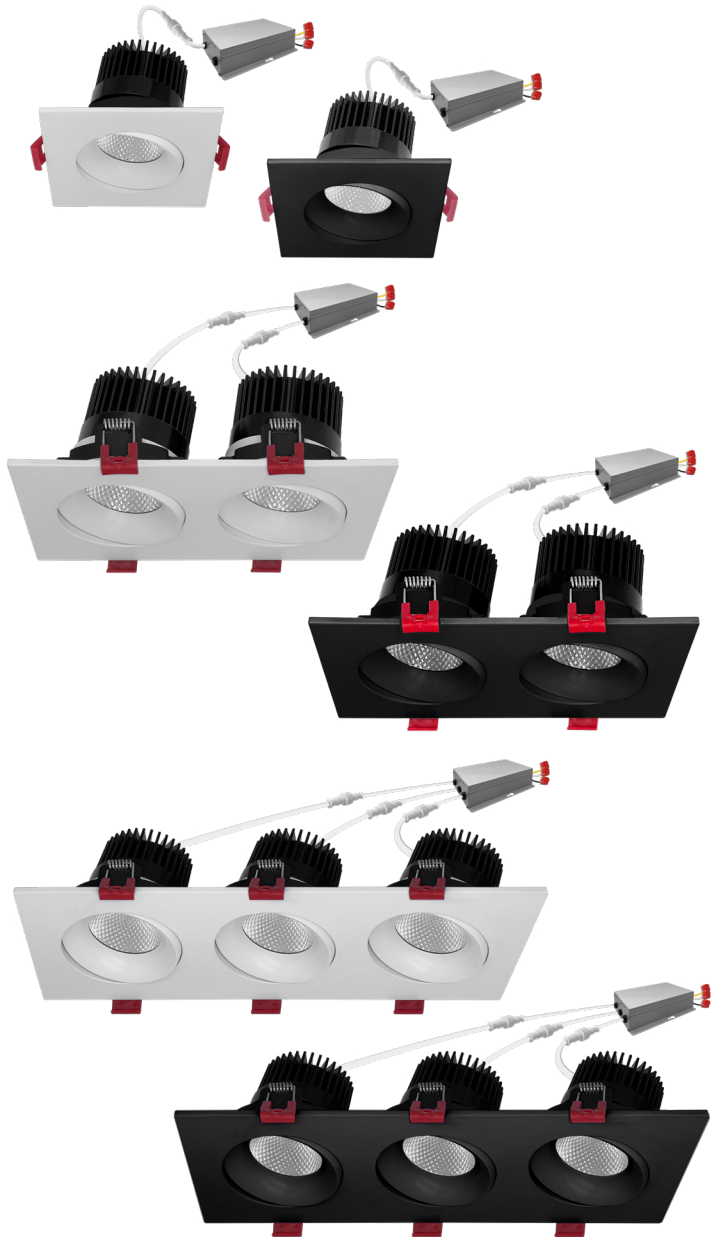


4" Multiple Head Downlights

5-CCT Selectable



Detail Specification:

- Finish: White & Black
- Wet Location Rated
- Beam Angle: 38° Standard, 24° & 60° available
- Chip: COB, R9 >50, CRI >90
- 2 Step MacAdam Ellipses
- Operating Temperature: -40° - 114° F
- Lens: Clear, non-yellowing
- Average life (L70) of 50,000 hours

Applications

- General Recessed Lighting
- Residential & Multifamily
- Office and Meeting Rooms
- Education, Healthcare, Retail, Hospitality

Product Information:

- 5-CCT: 27/30/35/40/50K COB LED Chip
- Metal housing and trim for better heat dissipation
- 360° Rotation and 8° from center
- Standard white round trim included: optional trims available
- Optional emergency backup available: delivers full lumens in EM mode up to 25W
- SnapTrim Canless: Spring clips with remote j-box eliminates can

Driver Options:

- 120V Triac Dimmable (Standard)
- 0/10V: 120-277V 0-10V Dimmable Custom Order
- Built in 2.5Kv Surge Protector
- Flicker Free

Mounting & Installation:

- Cut Out Dimensions
 - Single Head: 3-3/4"
 - Double Head: 7-1/4" x 3-3/4"
 - Triple Head: 10-4/5" x 3-3/4"
- Optional new construction plate available
- This fixture does not fit into a recessed can
- No can needed in remodel applications, tension clips mount into 1/2" to 1.5" thick ceiling
- Can be removed from below the ceiling for service or replacement
- Pre-wired junction box with circuit wiring built in (3 in/ 3 out)

Certifications:

- ETL Listed for USA and CA
- Energy Star Certified
- CA Title 24 JA8-2022 CEC Listed
- 5 Year Limited Warranty
- FCC CFR 47, GCC Part 15, Subpart B:2017
- IC Rated and ASTM-E283 Air-Tight

| Series | Finish | Emergency | Beam Angle | Driver |
|---|---------------------|------------------------------|---------------------|--|
| LED-SQM1-4-15W-5CCT Single Head 15W • 1,000lm • 120V | WH White | Blank No Emergency | Blank 38° | Blank 120V Triac Dim |
| LED-SQM2-4-30W-5CCT Double Head 30W • 2,000lm • 120V | BLK Black | EMB Emergency | 20D 20° | 0/10V¹ 120-277V 0-10V |
| LED-SQM3-4-45W-5CCT Triple Head 45W • 3,000lm • 120V | | Backup Backup | 60D 60° | Dimmable* |

1. Custom order only

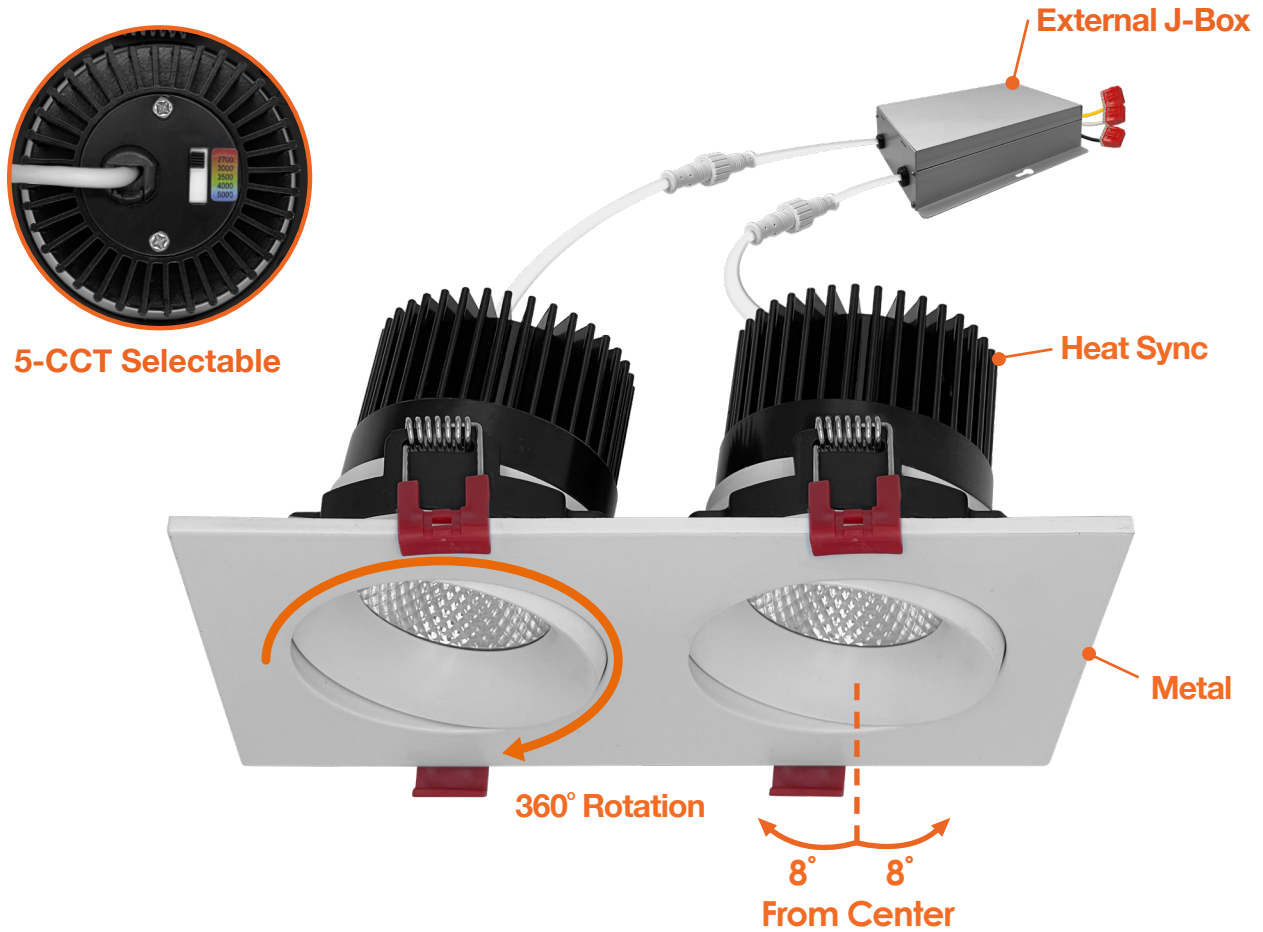
| Optional Accessories (Order Separately) | |
|---|---|
| New Construction Plate | Emergency Backup ¹ |
| CUNV-SQM-NC-ICAT Universal plate w/ hanging bars | LED-EMB-25W-HV -0/10V-2P Up to 24W fixtures |

1. Field installable. Lasts 90 minutes.

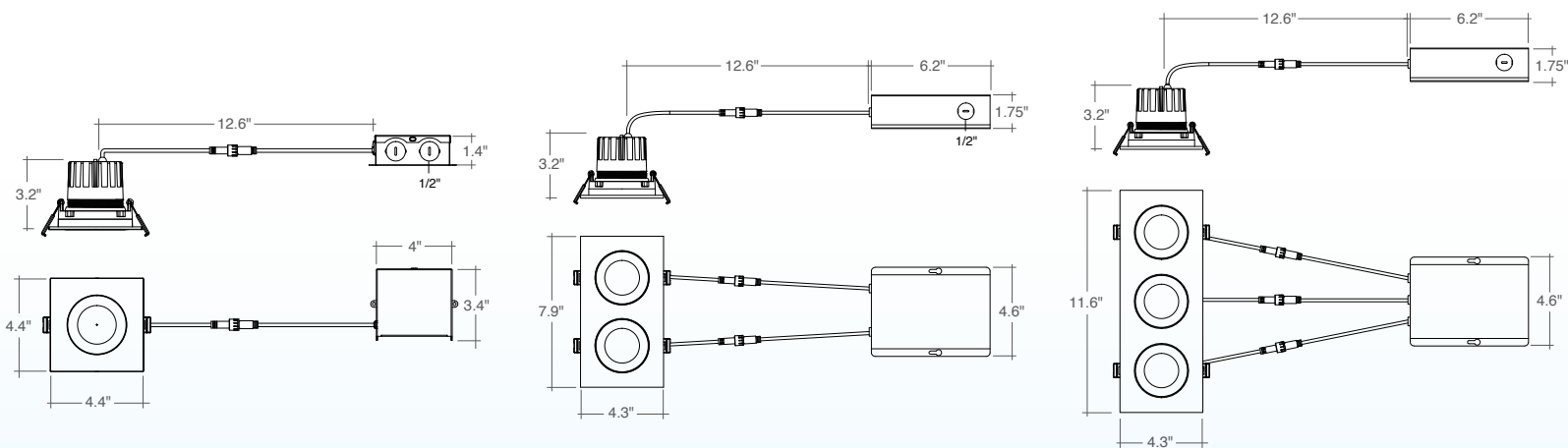
4" Multiple Head Downlights

5-CCT Selectable

FEATURES



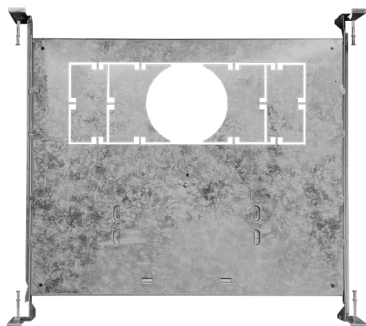
DIMENSIONS



4" Multiple Head Downlights

5-CCT Selectable

ACCESSORIES



CUNV-SQM-NC-ICAT
Universal Pre-Mounting Plate
 14 3/4" x 11 3/4"



LED-EMB-25W-HV-0/10V-2P



20D
60D

| Model | Voltage | Watts | Lumens | Color | CRI |
|-------------------------|---------|-------|--------|-----------------|-----|
| LED-SQM1-4-15W-5CCT-WH | 120V | 15w | 1000 | 27/30/35/40/50K | >90 |
| LED-SQM1-4-15W-5CCT-BLK | 120V | 15w | 1000 | 27/30/35/40/50K | >90 |
| LED-SQM2-4-30W-5CCT-WH | 120V | 30w | 2000 | 27/30/35/40/50K | >90 |
| LED-SQM2-4-30W-5CCT-BLK | 120V | 30w | 2000 | 27/30/35/40/50K | >90 |
| LED-SQM3-4-45W-5CCT-WH | 120V | 45w | 3000 | 27/30/35/40/50K | >90 |
| LED-SQM3-4-45W-5CCT-BLK | 120V | 45w | 3000 | 27/30/35/40/50K | >90 |

CONSTRUCTION PLATES

| Accessory | Description |
|------------------|--------------------------------------|
| CUNV-SQM-NC-ICAT | New Construction Plate: SQM Fixtures |

BATTERY BACK-UP

| Accessory | Description |
|-------------------------|--------------------|
| LED-EMB-25W-HV-0/10V-2P | Up to 24W fixtures |

OPTIC LENS

| Accessory | Description |
|-----------|-------------|
| 20D | 20D Optic |
| 60D | 60D Optic |

TESTED COMPATIBLE DIMMERS

Other dimmers may be compatible but have not been tested. Please contact us for more information.

TRIAC/ELV Dimmers

| Lutron | Leviton | Legrand | Cooper |
|------------|---------|-----------|--------|
| AYCL-153P | 6633 | ADTP703TU | 9540 |
| DV-600PR | 6674 | H703PTW | DAL06P |
| DVCL-153P | 6602 | | |
| MACL-153MH | IPL06 | | |
| MRF2-6CL | | | |
| D-600P | | | |
| NTELV-300P | | | |
| S-600P | | | |
| CT-600P | | | |
| CTCL-153P | | | |
| TG-600P | | | |
| TCCL-153P | | | |

0-10V Dimmers

| Lutron | Leviton | Wattstopper | Lightolier |
|--------|------------------|-------------|-------------|
| DVTV | Illumitech - IP7 | DCLV1 | ZP600FAM120 |
| NFTV | | | SR1200ZTUNV |
| NFTV | | | |