

ARCY-LINE: SQUARE SPORTS LIGHT INSTRUCTIONS

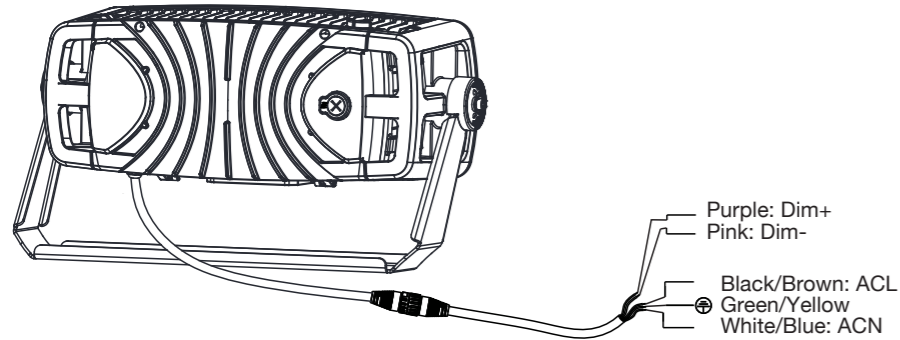
Applications:

- Sports venues
- Large outdoor area lighting
- Shipyards / docks
- Airports
- Other lighting requiring high intensity long distance lighting

CAUTION:

1. The fixture should be installed, inspected and maintained by a qualified electrician/contractor in accordance with NEC & safety regulations.
2. Make sure the power is turned off before installing, troubleshooting or removing the light fixture from its mounted location.
3. Ensure that the voltage used is the voltage used is the voltage within the product identification range. (200V-480V + 3% variance MAX once power is up).
4. Use wires that comply with UL (or other local standards) for wiring. Should be wired with the minimum conductor size of 16AWG.
5. Do not install the fixture in a hazardous environment. The ambient temperature must not exceed the rated operating temperature of the fixture.
6. Do not install the fixture in wet or excessively humid conditions and avoid installation when the danger of lightning strikes is present.
7. Please use with listed waterproof strain relief bushing when connecting the power supply cord outlet box.
8. Do not operate fixtures on electric generator.
9. External 0-10V only passive dimmers are supported.

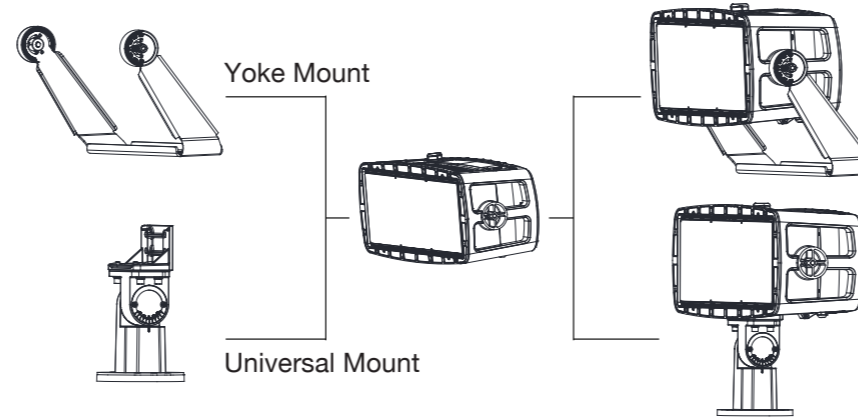
Wiring diagram:



Notice: Please use the dimming+, dimming - (DC10V) marking leads to connect to outside dimmer. Class 1 wiring only. Please assure a cumulative leakage current of less than 3.5mA on the control circuit. The AUX control wire with shrinkable tubing shall not be damaged (no connection).

Optional Brackets and Installation Instructions:

There are 2 optional mounting brackets for this fixture as shown below.



Yoke mount bracket - Mounting & aiming instructions

- You can install the fixture on the crossarm diving board and secure it with:
 - (1) 3/4" diameter bolt/nut, flat washer & lock washer kit.
 - (1) 3/8" aiming lock bolt/nut, flat washers & lock washer kit. (Fig. 1)

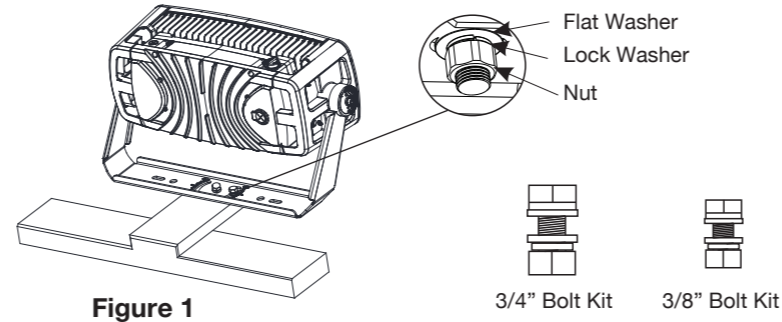


Figure 1

Set the left/right orientation by loosening the 3/4" & 3/8" bolts in the base of the Yoke Mount Bracket and turning the fixture as required then retorque the bolts to 59.1 ft. lbs. (Fig. 2)

Yoke mount bracket - Mounting & aiming instructions

- You can install the fixture on the crossarm diving board and secure it with:
 - (1) 3/4" diameter bolt/nut, flat washer & lock washer kit.
 - (1) 3/8" aiming lock bolt/nut, flat washers & lock washer kit. (Fig. 1)

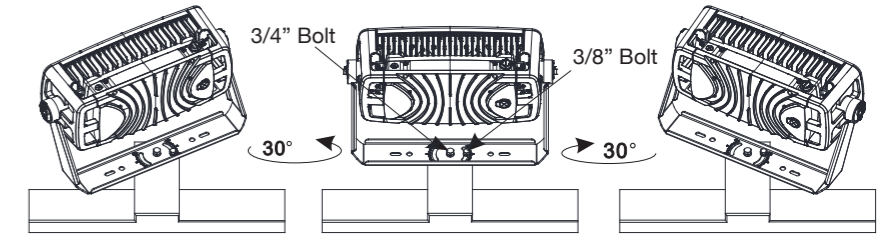


Figure 2

- Set the up/down orientation by loosening the (2) bolts on each side of the fixture where the yoke mount attaches to the fixture and rotate the fixture up or down then retorque the bolts to 22.2 ft. lbs. (Fig. 3)
- An aiming laser/level may be supplied in certain applications.

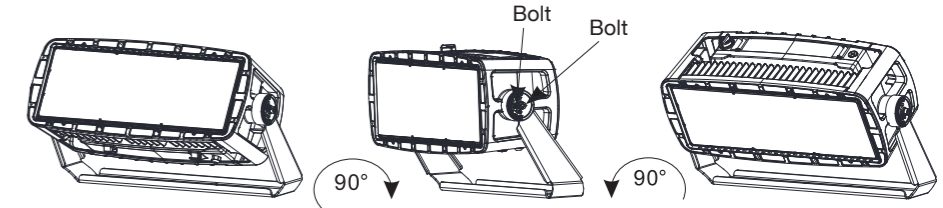


Figure 3

Universal Mount Bracket - Mounting & Aiming Instructions

Retrofit Installation

- Place universal mount over the top of the existing crossarm.
- 3/8" diameter bolt/nut, flat washers & lock washer kit.
- Install the universal support on the crossarm and secure it with nuts, spring washers and flat pads.

Torque the universal mount bolts/nuts to 22.2 Ft. lbs. (Fig. 4)

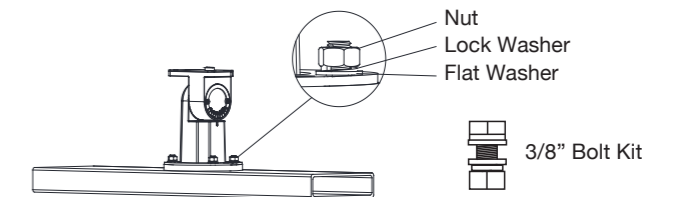


Figure 4

Install the fixture head onto the universal mount by aligning the studs on the mount with the opening on the bottom of the fixture. (Fig. 5)
After the fixture head is completely seated on the universal mount install the 4 lock bolts on the base of the fixture and torque the bolts to 11.07 ft. lbs.

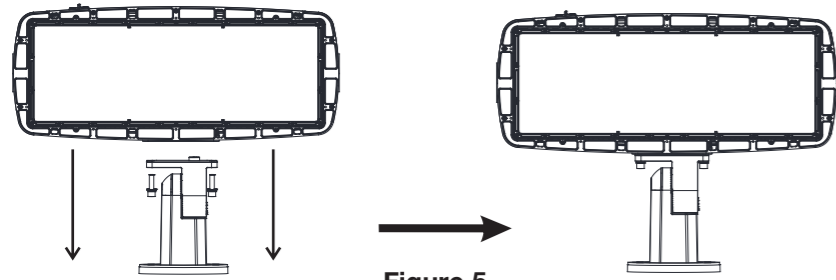


Figure 5

Set the left/right orientation by loosening the (2) bolts on the base of the universal Mount and turning the base then retorque the bolts to 22.2 ft. lbs. (Fig. 6)

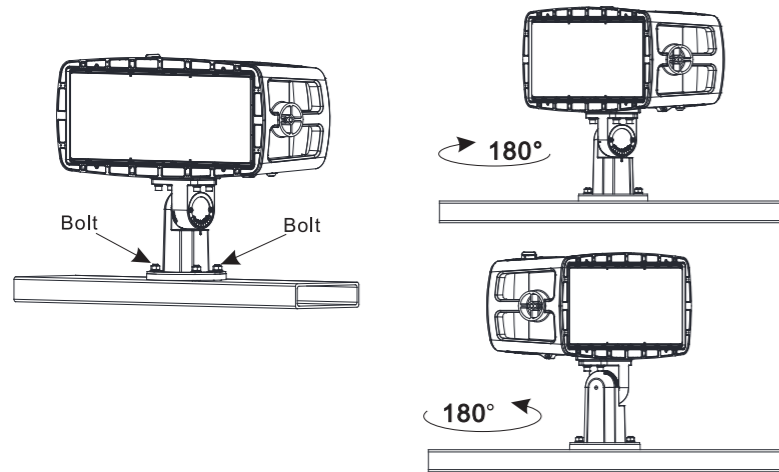


Figure 6

Set the up/down orientation by loosening the bolts in the knuckle of the universal mount and turning the knuckle then retorque the bolts to 36.9ft. lbs. (Fig. 7)

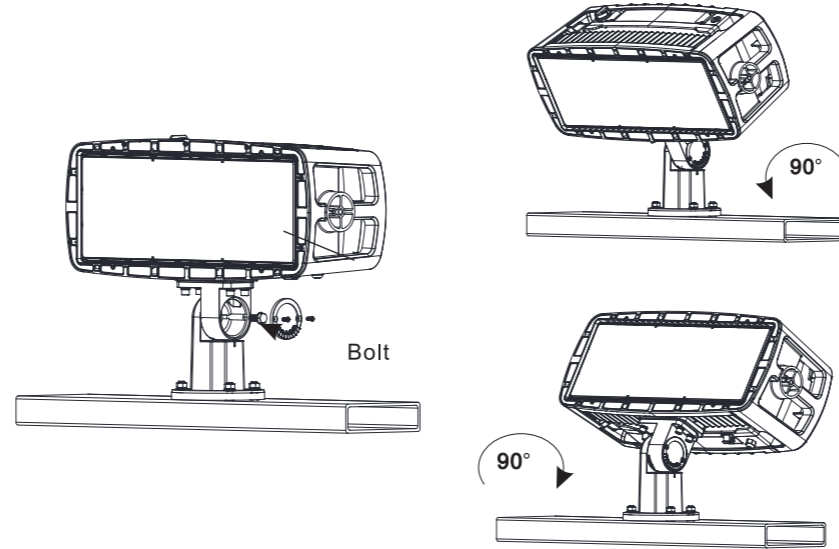


Figure 7

Factory Preaimed Fixture Installation

- This system come with the universal mounts premounted to crossarms with the left/right & up/down aiming already set according to the lighting design requirements.
- Install the fixture head onto the universal mount by aligning the studs on the mount with the opening on the bottom of the fixture (Fig. 5)
- After the fixture head is completely seated on the Universal Mount install the 2 lock bolts on the base of the fixture and torque the bolts to 11.07 ft. lbs.

NOTE: Refer to the lighting design/aiming diagram or crossarm fixture location labels to confirm the correct beam spread (N, M, W or EW) is installed at each fixture location.

Installation instructions for louver.

If the louver is not factory installed already, attach the louver to the face of the light fixture using the bolts provided. (Fig 8)

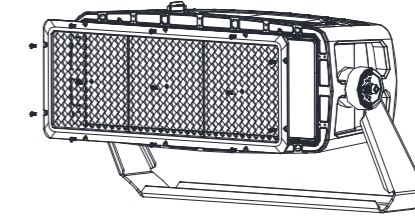


Figure 8

Installation instructions for visor.

When the light shield function is required, fix the light barrier to the luminaire with a screwdriver as required. (Fig 9)

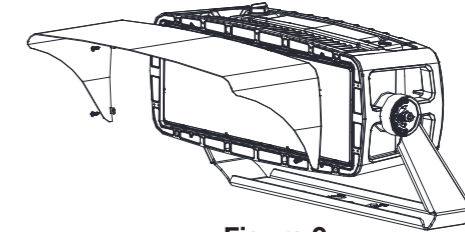


Figure 9

Fixture Wattage Adjustability

The fixture comes factory set to 800W output. This fixture is made with an adjustable wattage selector for 800W, 600W and 450W (Fig. 10)

To adjust the wattage of the fixture, remove the plug from the back of the fixture and change the position of the selector switch to the desired wattage per the lighting design. Reinstall the plug into the back of the fixture and tighten to ensure the fixture housing is sealed.

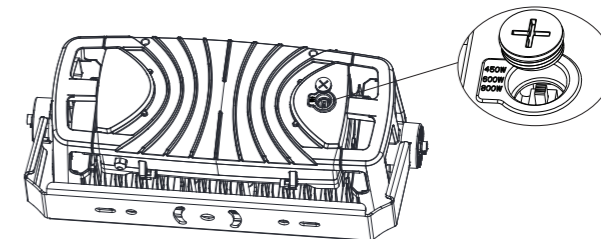


Figure 10

Installation instructions for visor.

When the light shield function is required, fix the light barrier to the luminaire with a screwdriver as required. (Fig 9)